



Creating balance in healthcare



Elexo XXL Shower-toilet chair



5100 5300

Elexo XXL Shower-toilet chair

5100 5300

Elexo XXL Shower-toilet chair high / low

Caring for Bariatric clients with traditional shower-toilet chairs is heavy work. Care staff are obliged to work in unnatural postures and suffer from static back strain. Lopital offers relief with the height-adjustable Elexo XXL shower-toilet chair.

The electric height-adjustability ensures that the seat reaches a maximum tilting angle of 17 degree when at its maximum height, thereby creating the optimum seating balance for the client / resident.

The Elexo XXL provides comfort with the ergonomically shaped seat, calf support and foldable extended armrests.



Characteristics

- Simple electric high / low adjustment Manual operation with battery indicator.
- Tilt adjustment to a maximum of 17 degree.
- 3 plastic castors fitted with brakes.
- 1 direction Wheel.
- Extremely stable due to the fitting of 2 lifting motors.
- Rail for toilet bucket or bedpan.
- With sleep mode setting after 60 minutes.
- Simple to recharge with charger included.
- Folding and extended armrests.
- In 2 parts seat with toilet opening.
- Ergonomic calf support.
- Swivelling and detachable footrests.

Optional:

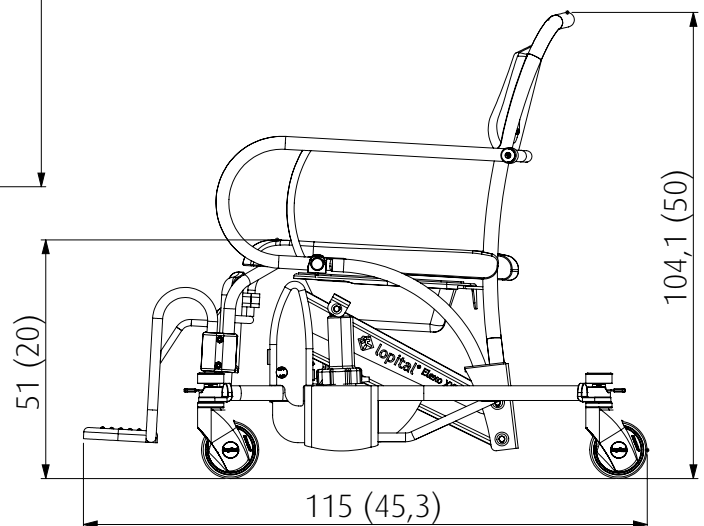
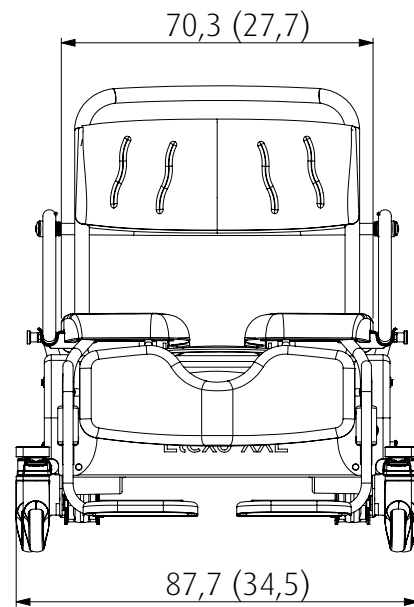
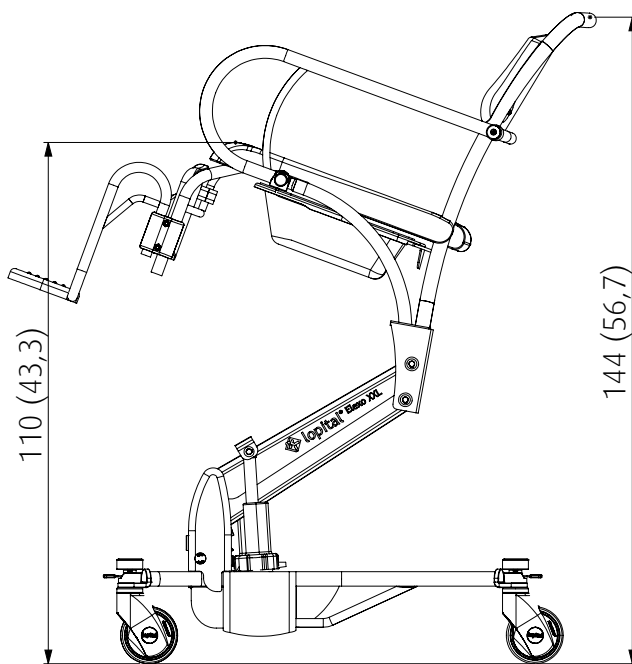
- In height and depth adjustable headrest.



Technical specifications

Max. load:	220 kilo / 484 LB
Own weight:	75 kilo / 165 LB
Wedge setting:	17 degree
Adjustable seat height:	51-110 cm / 20-43,3 inch
Seat width:	70,3 cm / 27,7 inch
Seat depth:	60 cm / 23,5 inch
Battery capacity:	2x 12V, 7.2Ah
Charger:	220V 50 / 60Hz 500mA
Electrical power:	24V
Max. current:	10A
Max. power:	240 Watt
Security:	- on / of switch - emergency stop - emergency lowering

Dimensions in cm (inch)



For more information, visit our website: www.lopital.com

Lopital Nederland B.V., Laarakkerweg 9, 5061 JR Oisterwijk, Postbus 56, 5060 AB Oisterwijk
 Tel +31 (0)13 5239300, Fax +31 (0)13 5239301, E-mail info@lopital.nl, www.lopital.nl

