

LASAL A/S

Industrivej 15, DK-8881 Thorsoe

Phone.: +45 8696 6666

VAT No. 1437 8677



Mobilier Mobiled

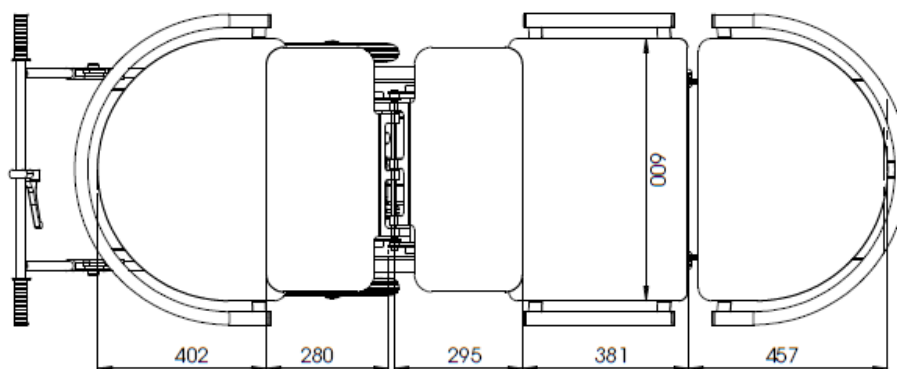
Spare parts list, specifications and annual servicing

Distributor guide



Specifications

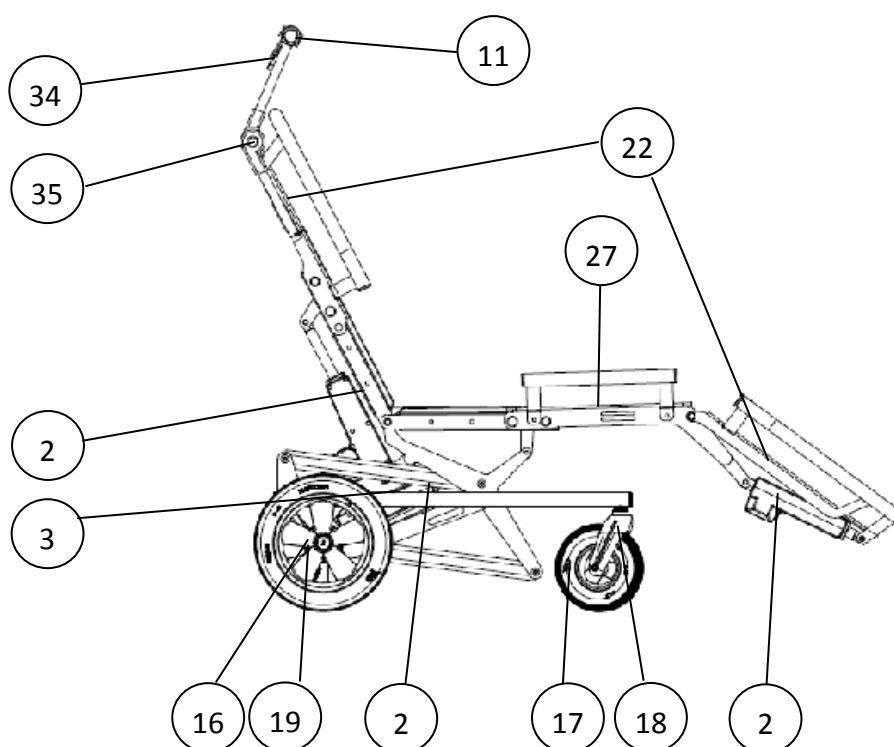
Max. length with handlebar and foot support fully extended	2150 mm
Max. width of Mobilia MobiBed measured across cushion frame bar	720 mm
Height of cushion frame measured from floor to top of bar Lowest position Highest position	500 mm 735 mm
Cushion frame length (adjustable) Min. length Max. length	1460 mm 1830 mm
Max. reclining dimension fully extended: with Mobilia Mattress (person height max. 172 cm) with Mobilia Module insert cushion (person height max. 180 cm)	1835 mm 1930 mm
Wheel base between front and rear wheel measured from the middle of axle to middle of axle	720 mm
Total weight without insert cushion	55 kg
Load capacity Safety tested to	120 kg
Utilisation weight (max. person weight) recommended	90 kg
Front wheel diameter	200 mm
Rear wheel diameter	300 mm
Actuator, motor, lift, back tilt and leg tilt - LINAK LA40-100 24 V	Load 4000 N
Control box - LINAK CA40 - SMPS - IPX6	24 V
Built-in charger in control box. To charge connect:	100V/240V
Manual control LINAK HB83 3-way	
<i>Minimum dimension, e.g. when packing for transport: The transporter is folded together and lowered to the lowest position. The back is raised to maximum, the foot support is in the lowest position and the handlebar is pushed fully forward.</i>	<i>Length: 1340 mm Width: 720 mm Height: 1070 mm</i>



Spare parts list

Pos. No.	Item No.	Mobilia Transporter - MobiBed	Total	DKK/each	EURO/each
2	163020	Actuator LINAK LA40, used for lift, back tilt and leg tilt	Qty. 3	2,432.00	326.00
3	163000	Control box LINAK CA40 incl. mains power cable	Qty. 1	1,637.00	220.00
-	163001	Extra net cable	Qty. 1	256.00	34.00
-	163002	Lithium battery	Qty. 1	1,821.00	244.00
11	163044	Rubber for handlebar	Qty. 2	106.00	14.00
17	163030	Front wheel Ø200 mm excl. fork and bearings	Qty. 2	220.00	30.00
18	163031	Wheel fork for front wheel with bearings (left/right)	Qty. 2	180.00	24.00
16 & 19	163040 (R) 163041 (L)	Rear wheel Ø300 mm with drum brake	Qty. 2	800.00	107.00
22	163050	Laminate plate - back	Qty. 1	575.00	77.00
22	163052	Laminate plate - foot support	Qty. 1	575.00	77.00
27	163051	Laminate plate - seat	Qty. 1	550.00	74.00
35	163045	Knee joint for adjusting the handlebar - right	Qty. 1	246.00	33.00
35	160346	Knee joint for adjusting the handlebar - left	Qty. 1	246.00	33.00
34	163042	Brake grip	Qty. 1	131.00	18.00
No ill.	163010	Manual control LINAK HB83 3-way	Qty. 1	1,051.00	141.00

Pos. No. refer to the drawing below. All prices are excl. shipping and subject to printing errors and price increases.



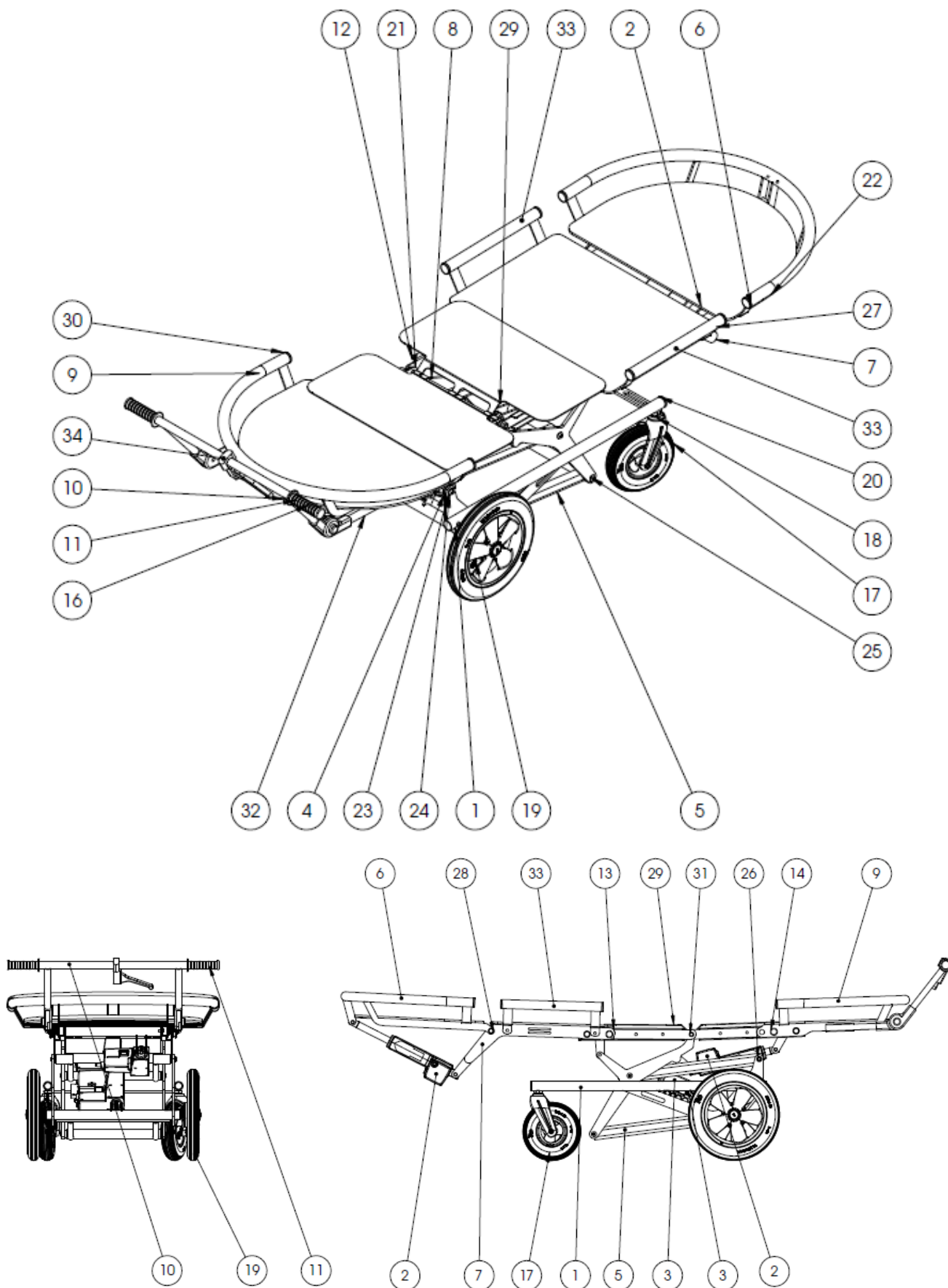
LASAL A/S, Industrivej 15, DK-8881 Thorsoe

Phone.: +45 8696 6666 * www.lasal.dk

Parts list

Pos. No.	Mobilia MobiBed	Total
1	Base frame	Qty. 1
2	Actuator LINAK LA40, used for lift, back tilt and leg tilt	Qty. 3
3	Control box LINAK CA40 incl. mains cable, batteries	Qty. 1
4	Lifting arm top	Qty. 1
5	Lifting arm bottom	Qty. 1
6	Foot support	Qty. 1
7	Seat section	Qty. 1
8	Lifting arm	Qty. 1
9	Back section	Qty. 1
10	Handlebar	Qty. 1
11	Handle	Qty. 2
12	Seat adjustment	Qty. 1
13	Sliding block	Qty. 6
14	Positional bolt for adjusting length	Qty. 4
15	MT10 Bolt	Qty. 2
16	Rear wheel Ø300 mm with drum brake (left)	Qty. 1
17	Front wheel Ø200 mm	Qty. 2
18	Wheel fork for front wheel with bearings (left/right)	Qty. 2
19	Rear wheel Ø300 mm with drum brake (right)	Qty. 1
20	Plastic plug Ø30 mm	Qty. 2
21	Back adjustment	Qty. 1
22	Laminate plates	Qty. 2
23	Plastic bushing	Qty. 13
24	MT10 Bolt	Qty. 2
25	MT10 Bolt	Qty. 2
26	Spacer pipe, 10.5	Qty. 9
27	Laminate plate, middle	Qty. 1
28	MT10 Bolt	Qty. 2
29	Sealing plate	Qty. 2
30	Plastic plug Ø30 mm	Qty. 8
31	Shaft for link	Qty. 1
32	Holder for steering	Qty. 1
33	Railing	Qty. 2
34	Brake grip	Qty. 1

Drawings

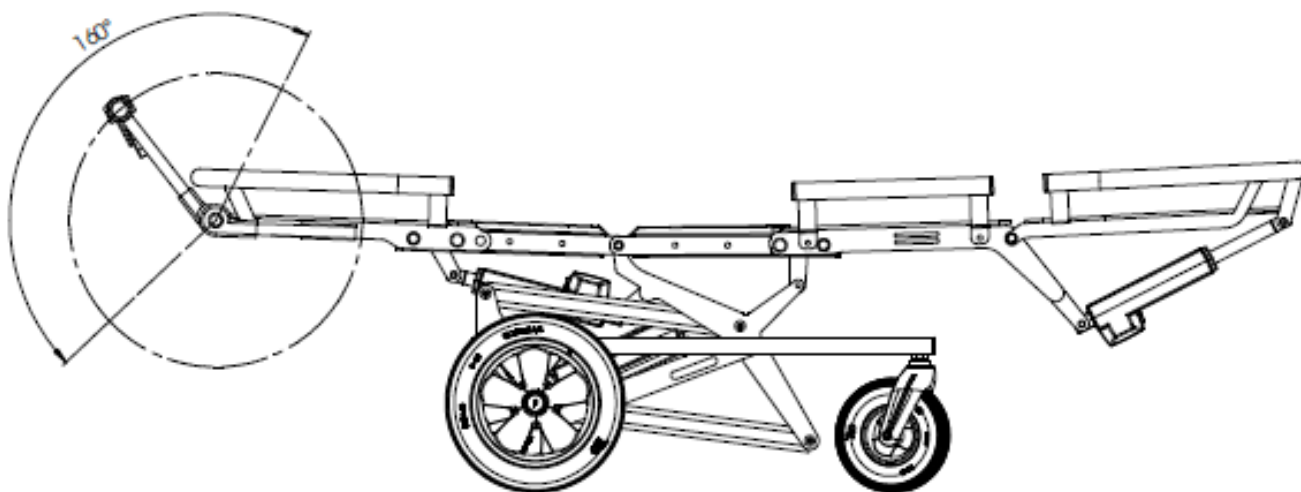
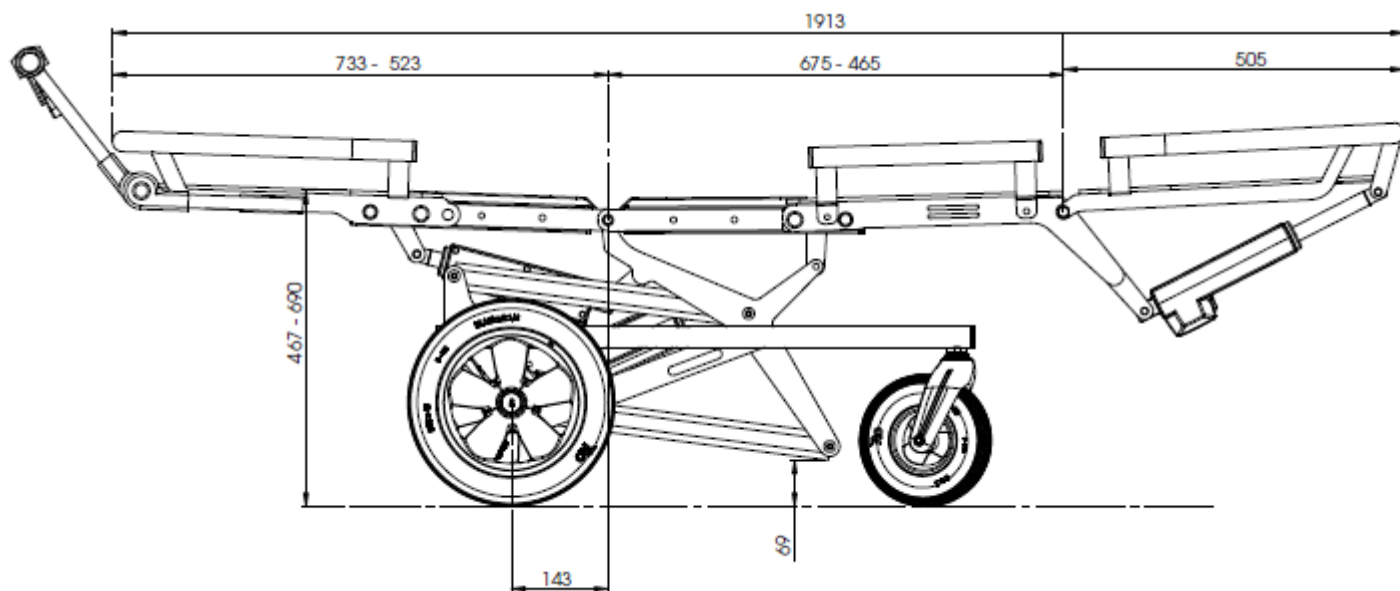


LASAL A/S, Industrivej 15, DK-8881 Thorsoe

Phone.: +45 8696 6666 * www.lasal.dk



Drawings



Annual servicing

Date :		Product ID / serial no.:
Carried out by:		
Service carried out at:		
No.	Check	Remarks
1	Visual inspection of product	
2	Wear	
3	Distortions	
4	General damage	
5	Beginning of rust	
6	Stability, no loose parts	
	Base section	
7	Frame	
8	Lifting arm - operates freely and without difficulty	
9	Wheels—operate freely and without difficulty Remove rear wheels and clean brakes	
	Top section / Reclining surface	
10	Check the reclining surface for signs of wear, loose parts	
11	Check extension	
	Control box / actuators	
12	Manual control: Switches must all have "uniform" clicking sound and "press" The film must be secure and intact	
13	All actuators, lift/raise back section, height and foot support Check all functions at normal use: (tested with max. load, a complete cycle. Should be done without difficulty and without any grating sound:	
14	Inspect the control box. Securely fitted, intact and all of the connectors securely fitted. Battery voltage 24 V or higher	
	Brake and brake grip	
15	Check, adjust and tighten if necessary.	