



Overview:

This multi-purpose model provides gynaecology facilities as well as a full length couch design for a wide range of examination procedures. The couch features a choice of electric or hydraulic height adjustment and has a seat with cut-out and pelvic tilt facility at one end for gynaecology procedures, with lithotomy stirrups and a removable debris tray supplied as standard. A raising backrest is provided for supporting the patient in a sitting position. At the other end of the couch there is a raising head section with breathing hole and plug for prone treatments and general examinations.

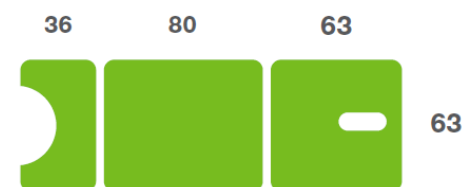
Benefits

- Lifetime frame & 5 year parts guarantee - see website for further details
- Choice of electric or hydraulic height operation
- Supplied with stirrups and removable debris tray for gynaecology
- Seat section with cut-out and pelvic tilt for gynaecology procedures
- Adjustable backrest for supporting the patient in a sitting position
- Head section with breathing hole and plug for prone treatments
- Safe working load of 250kgs (550lb / 39 stone)
- Retractable wheels provide easy movement and positioning of the couch
- Low patient transfer height of 52cm (20")
- Wide choice of options, width and accessories to meet user requirements

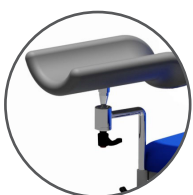
Overall Dimensions

Length: 180cm (71") approx
 Width: 63cm (25") approx
 Height: 52cm - 101cm approx
 (20" - 40") approx

Upholstery Dimensions



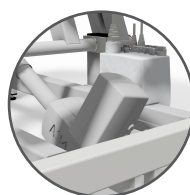
Options & Accessories:



Gynaecology Leg Supports



Foot Switch Operation



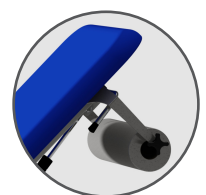
Battery Back-up



D Cushion

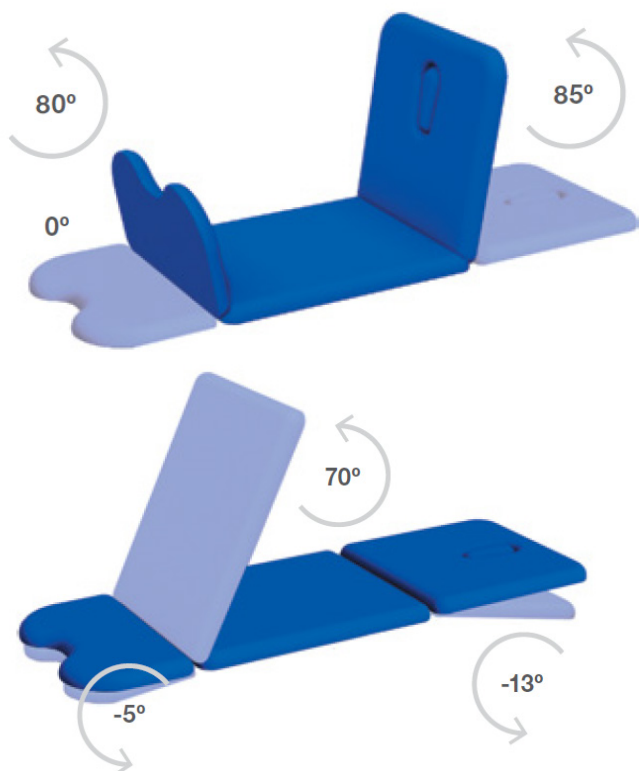


Electric Backrest



Paper Roll Holder

Operational Parameters



Model 93PE - Electric Version

Model 93PH - Hydraulic Version

Standard Features

- Designed and manufactured in the UK
- Lifetime frame & 5 year parts guarantee
- 16 year average lifespan
- Electric or hydraulic operation
- Comfort foam
- Easy operation
- Low running costs
- Hardwearing anti-microbial vinyl
- Safe working load 250kg
- Retractable castors
- Hoist clearance 130mm
- Stainless steel debris tray
- Breathing hole and plug for prone treatment
- Gynaecology stirrups

Technical Standards

- IP Rating - IPx4
- EEC Classification - MDD93/42/EEC Annex IX Class 1
- Electrical Standard - IEC601 Part 1 + 60601 P (EN)
- Vinyl Flame Retardant to CRIB 5 (BS 7176)
- Foam to BS 5852: Part 2: 1982, Ignition Source 5 [CRIB 5]
- CE Marked
- Externally audited to ISO9001:2015 by LRQA

Delivery Promise

- Delivery to UK mainland in just 7-10 working days
- Faster service may be available if required
- Overseas delivery 7-10 days plus shipping time

Upholstery Vinyl

- Flame retardant to BS 5852 Ignition Source 5 - CRIB 5 (BS 7176) Medium Hazard
- Independently tested to verify effectiveness at reducing the spread of MRSA, E.coli & other similar bacteria & fungi
- Rated at 500,000 Martindale rubs without damaging or marking the top layer, making it suitable for all high-traffic, heavy-duty areas
- Phthalate free
- Please note: If the upholstery colour is not specified, 'Almond' will be supplied

