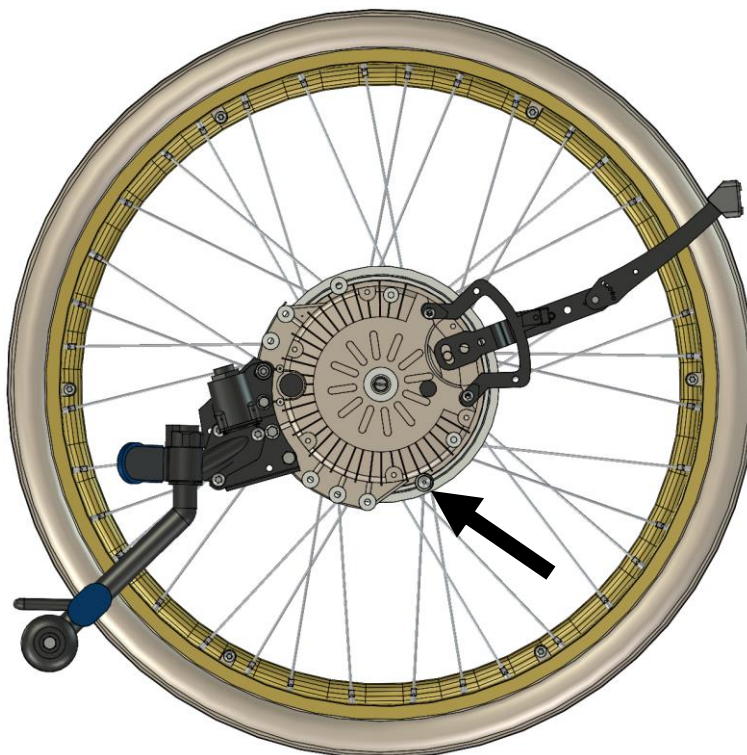


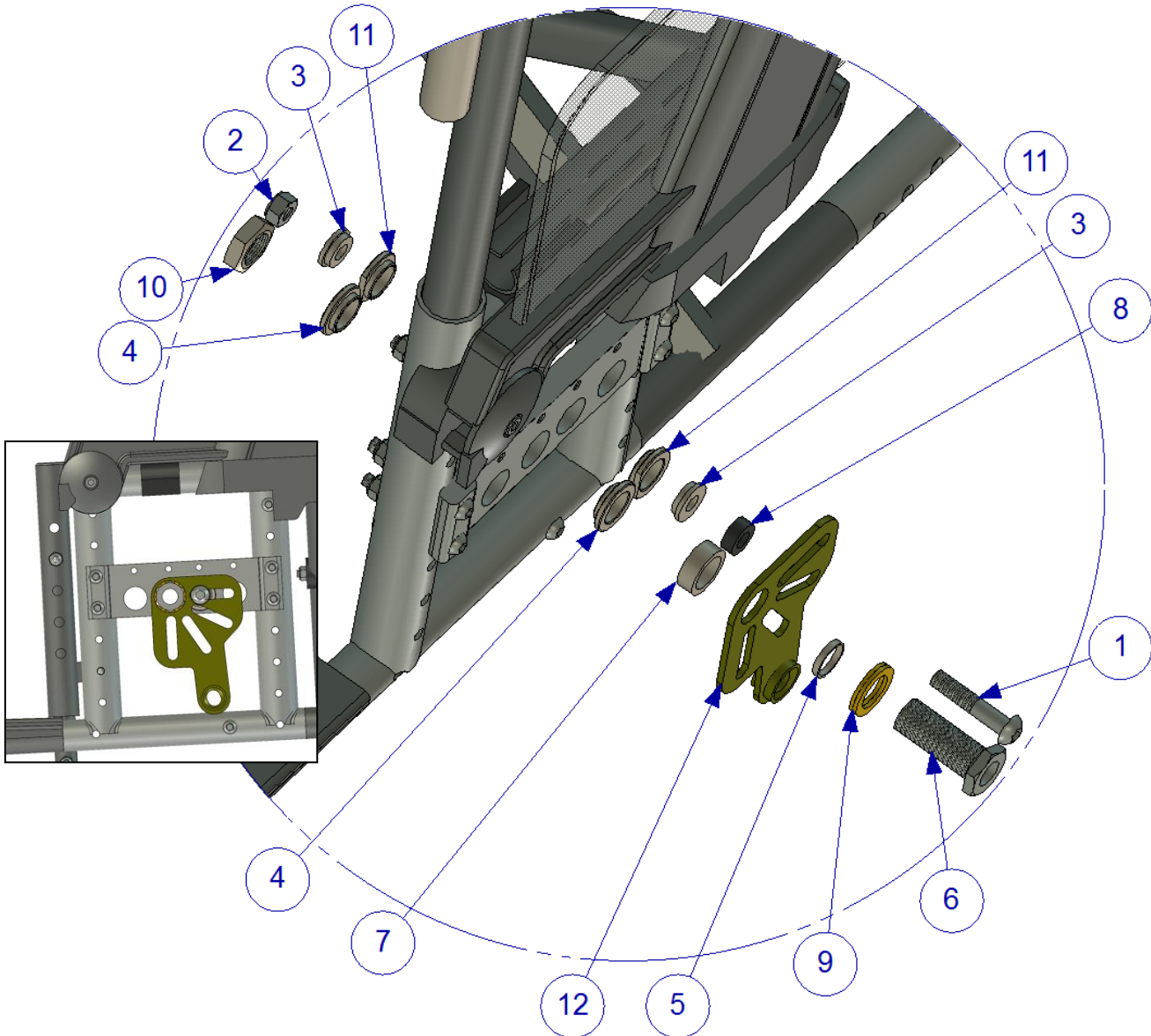
decon wheel

Assembly instructions for Otto Bock Motus
MED3116

1. Remove wheels, brakes and brake handles.



2. Check the correct placement for the stop pin and that the battery box is removed from the E-drive unit.



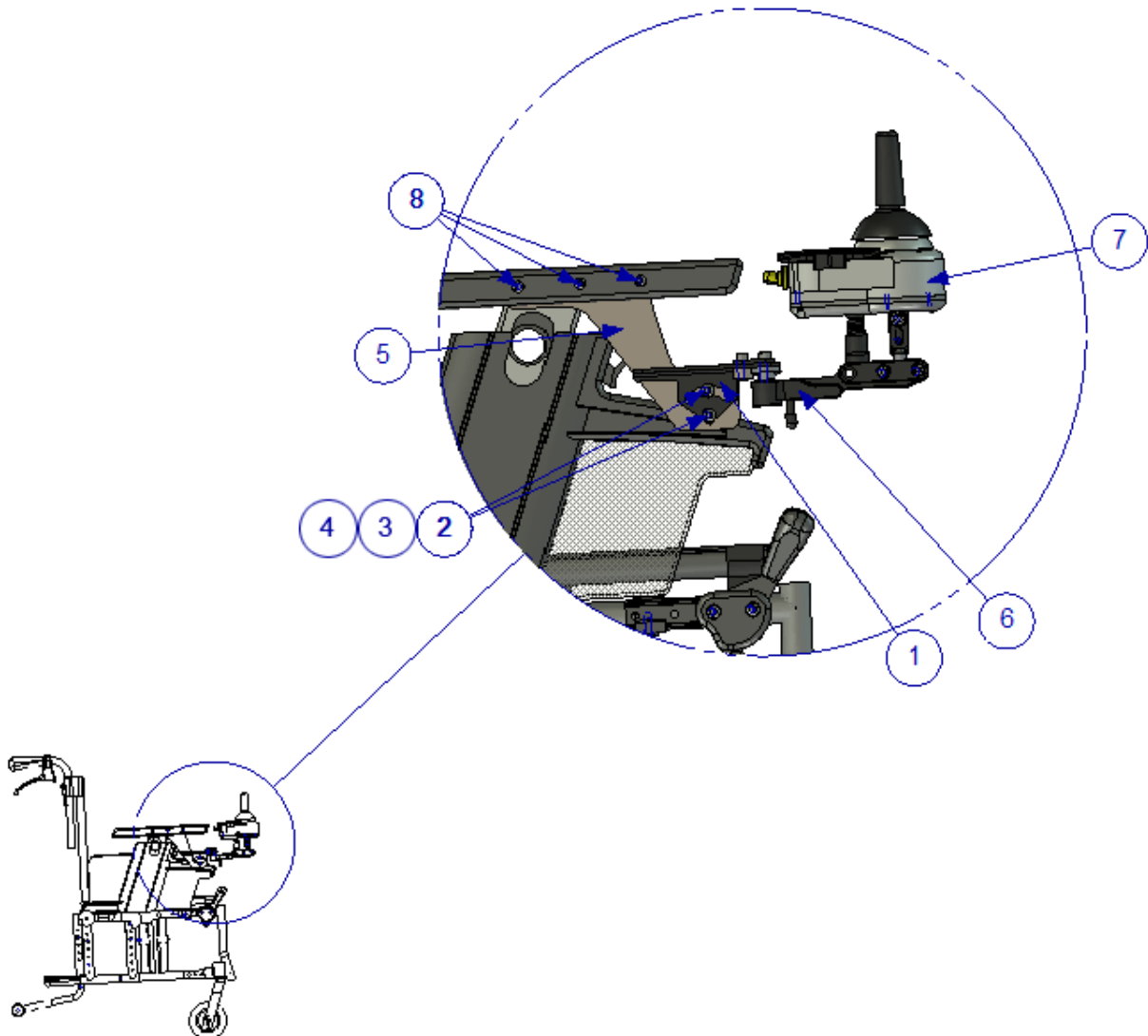
3. Assemble the plate (right side) according to picture.

4. Parts pair mounting set:

Item No.	Part Number	Qty	Description
1	XSM8X40	1	Screw : Round - M8 x 40
2	XSM8ML	1	Nut : Self-Locking - M8
3	100 400 007	2	Spacer
4	290002	2	Spacer
5	100 400 017	1	Spacer
6	HW069	1	Hubsleever M16x1/12,7
7	100 400 006	1	Spacer
8	100 400 002	1	Spacer
9	405239	1	Nordlock Washer M16
10	XSM16M	1	Nut M16X1 Low
11	100 400 067	2	Spacer
12	MED 2004	1	Bracket

5. Mount the back placed battery bag.

Assembly of the joystick



6. Assembly the joystick according to the picture above.

The parts you need for assemble the joystick

Item No.	Part Number	Qty	Description
1	XOC-46295-00	1	Sheet Metal Bracket
2	XSM6X16	2	Screw - Round - M6 x 16
3	XSM6BR	2	Plain Washer M6
4	XSM6ML	2	Locknut M6
5	MED1367	1	Bracket for Joystick Otto Bock
6	XOC-48160-B0	1	Upper holder assembly 2
7	XOC-48110-A0	1	Remote Control Assembly
8	XSM5X10	3	Screw : Round - M5 x 10