

RESILIENCE

Human Life Carebed



The new bed for psychiatric wards

developed by specialists and engineers in
cooperation with the psychiatric sector

AGITEK



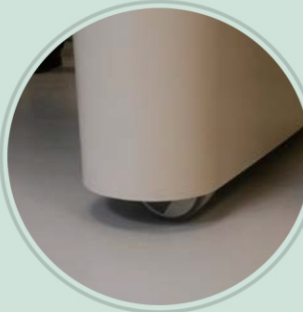
The multifunctional pillow

An element of comfort calming the patient. The pillow can be used according to needs. The pillow is divided into three different changeable modules which can be assembled into one interconnected cover.



Emergency situations

The frame of the bed can be used as a handle when physically restraining a patient. Standard fixation belts can be used for fixation. Fixation points for the belts are hidden in the design of the bed making the bed look natural rather than institutional.



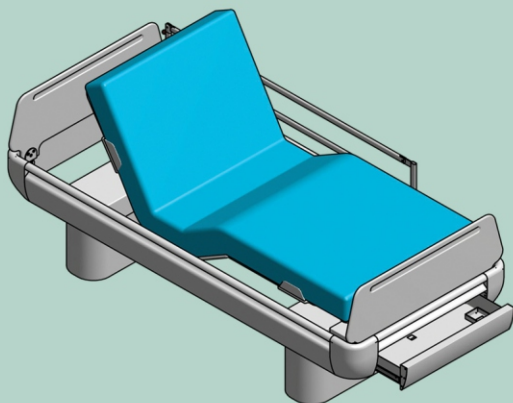
Wheels & legs

In order to diminish the institutional look, the elevation mechanisms and wheels are hidden. In case of emergency, within seconds, the bed can go from mobile (on wheels) to stable (on legs). The staff remote control device allows for directional lock of the front wheels.



Adjustment of height and mattress

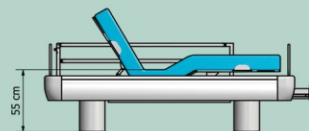
The bed provides great sitting comfort in the lower position. Staff has access to all functionalities via the basic remote control device. The patient is able to elevate the mattress with his/her own remote. The CPR function takes the bed to a neutral position.



Bed dimension

Lenght	220 cm
Wide	98 cm
Height low	55 cm
Height top	93 cm
Weight of bed	250 kg
Max. patient weight	250 kg
Mattress size	205x85x14 cm

According to EN 60601-2-52



The cordless bed

The bed comes with a replaceable, rechargeable battery. The battery is placed in a closed and locked drawer at the foot of the bed. The drawer can only be opened with a chip or keycard. The battery comes as a plugin solution and can easily be changed by the staff. The drawer carries battery, staff remote control device with battery icon to indicate battery power status and a patient remote control. The battery charger panel is placed in a separate room.



Guard rails and headboards

Guard rails and headboards can be purchased and installed subsequently. Guard rail and headboard are secured preventing accidental dismounting, e.g. during operation of the bed. The headboard functions as a transportation grip.



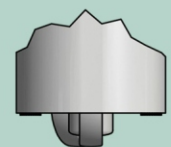
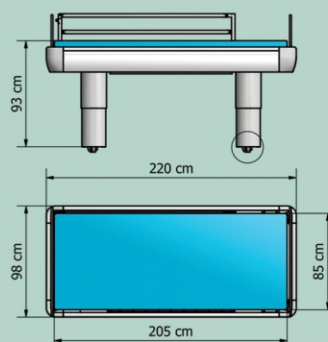
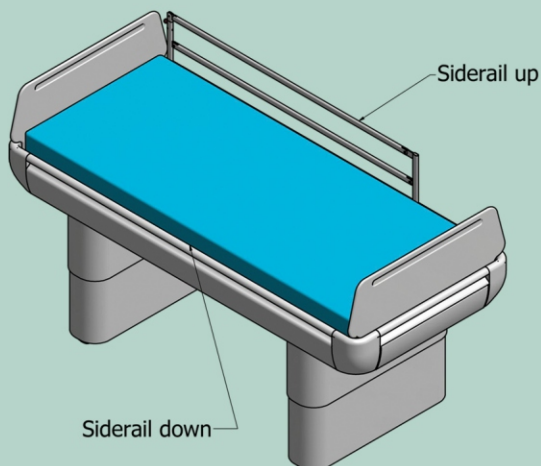
The safe bed

Electrical cords, elevation mechanics and mechanical parts are hidden keeping externalizing and suicidal patients safe. The bed is robust and stable standing on 2 large legs. Only the staff can elevate the bed or engage the wheel function.



Separate control panels

Both staff and patients can operate the bed but with different options



Wheel up

INNOVATION & COLLABORATION

RESILIENCE was developed by specialists and engineers in close cooperation with the psychiatric sector in The Region Of Southern Denmark and The Capital Region Of Denmark



We see RESILIENCE as a quantum leap for the Psychiatry patients and personnel. The bed is designed in order to improve the patients experience, but also with this in mind to improve the staffs working environment. We think it is essential - and that we think has been achieved in this development project

Torben Kyed Larsen

Anlægschef, Psykiatrien i Syddanmark

WATCH THE VIDEO ON AGITEK.DK

Visit our website and watch a small video about the background for developing the new bed, and the design and development process.



www.agitek.dk



**NOMINEE
2016**

RESILIENCE has been nominated for the Danish Design Award 2016 in the categories 'Better Work' and 'Feel Good'



AGITEK

Gammelstrupevej 10
8740 Brædstrup
Denmark

+45 7575 2755
info@agitek.dk
www.agitek.dk