

R8572313 (AUS)
R8572318 (AUS)
R8582313
R8582318
R8592313 (US)
R8592318 (US)

SCT 3000

Shower change table – Operation and maintenance manual en

Bruseleje – Brugs- og vedligeholdelsesvejledning dk

Duschliege – Gebrauchs- und Pflegeanleitung de

Table de douche et de change – Manuel d'utilisation et d'entretien fr

Douchebrancards – Gebruiks- en onderhoudshandleiding nl

Duschbrits – Bruks- och underhållsanvisning sv

Dusjstabellebord – Bruks- og vedlikeholdsveiledning no

Camilla de ducha - Instrucciones de uso y mantenimiento es

Stół prysznicowy – Instrukcja obsługi i konserwacji pl

洗澡床 - 操作和维护手册 中文

العربية طاولۃ الاستحمام – دليل التشغيل والصيانة



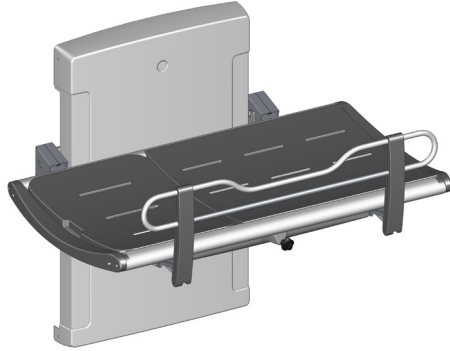
English	9
Dansk	30
Deutsch	51
Français	72
Nederlands	93
Svenska	114
Norsk	135
Español	156
Jzyk polski	177
中文	198
العربية	219



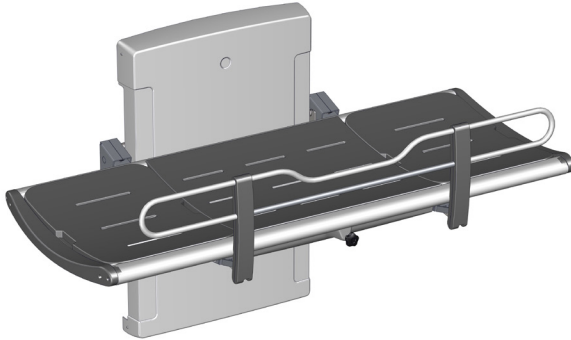
en	The guarantee covers faults or defects in material or manufacture within a period of 3 years. Products are subject to minor technical modifications and design deviations. E. & O.E.
dk	Garantien dækker i 3 år fra fakturadato for materiale- og fabrikationsfejl. Der tages forbehold for trykfejl, tekniske ændringer og modelafvigelser.
de	Die Garantie gilt für drei Jahre ab Rechnungsdatum für Material- und Herstellungsfehler. Druckfehler, technische Änderungen und Modellabweichungen vorbehalten.
fr	La garantie couvre les vices de fabrication et de matériaux pour une durée de 3 ans à partir de la date de facturation. Sous réserve de modifications techniques et d'erreurs d'impression.
nl	De garantie is tot 3 jaar na factuurdatum geldig voor materiaal- en fabricagefouten. Onder voorbehoud van drukfouten, technische wijzigingen en modelafwijkingen.
sv	Garantin gäller i 3 år från fakturadatum för material- och fabrikationsfel. Med reservation för tryckfel, tekniska ändringar och modellavvikelser.
no	Garantien gjelder i 3 år fra fakturadato for material- og fabriksjonsfeil. Med forbehold for trykkfeil, tekniske endringer og modellforskjeller.
es	La garantía cubre fallos de material o fabricación durante los 3 años posteriores a partir de la fecha de factura. Mantenemos reservas en caso de problemas de presión, modificaciones técnicas y variaciones de modelo.
pl	Trzyletnia gwarancja obejmuje usterki oraz wady produkcyjne i materiałowe. Produkty mogą ulec nieznacznym zmianom technicznym i projektowym. Zastrzegamy sobie prawo do błędów i pominięć.
中文	保修涵盖 3 年内出现的材料或制造故障或缺陷。产品的技术和设计可能稍微发生变化，恕不另行通知。

العربية يعطي الضمان الأخطاء أو العيوب في المواد أو التصنيع لفترة 5 أعوام. المنتجات عرضة لتعديلات فنية وفروق طفيفة في التصميم. حالات الخطأ والسهو مستثناة.

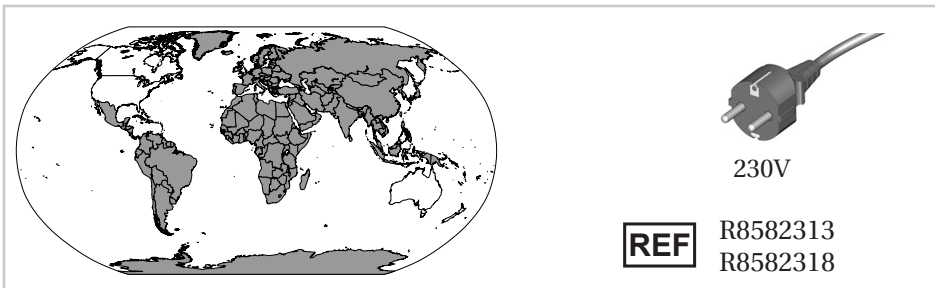
REF



R8572313 - R8582313 - R8592313

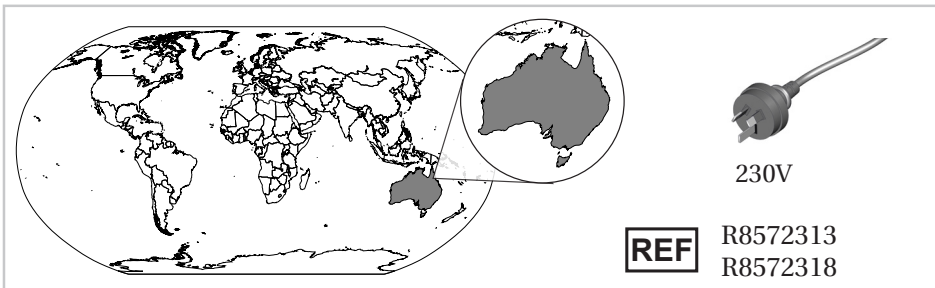


R8572318 - 8582318 - R8592318



230V

REF R8582313
R8582318



230V

REF R8572313
R8572318



120V


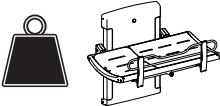

REF R8592313
R8592318

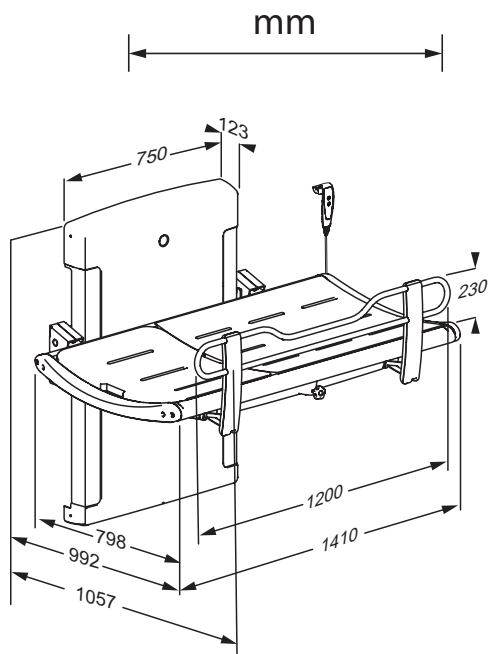


	Max P	U	Max I
R8582313, R8582318 R8572313, 8572318	75W	230V	0.3
R8592313, R8592318	36W	120V	0.3

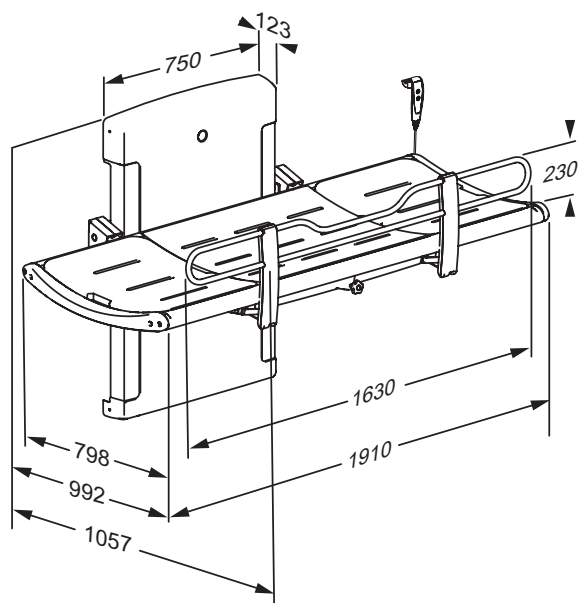


T5256

 kg lbs		
R8572313 / R8582313 R8592313	77,60 kg / 171 lbs	200 kg / 440 lbs
R8572318 / R8582318 R8592318:	82,35 kg / 182 lbs	200 kg / 440 lbs

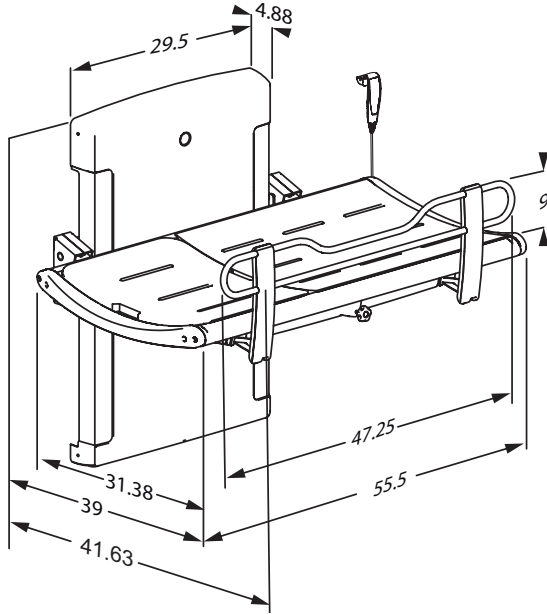


R8572313 - R8582313 - R8592313

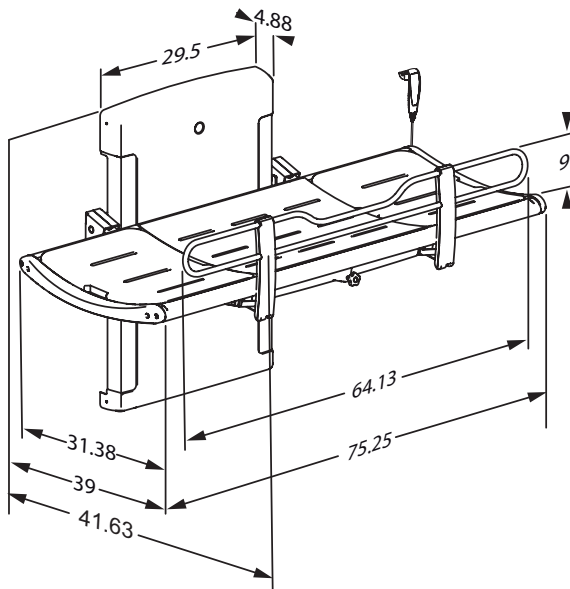


R8572318 - 8582318 - R8592318

inch



R8572313 - R8582313 - R8592313



R8572318 - 8582318 - R8592318

Content

Mounting instruction	9
Operational signage	9
Symbols used in this manual.	10
General safety	11
Intended use	12
Intended operator profile	12
Intended user profile	12
Operating environment.	12
Contraindications for use	12
Biocompatibility.	12
Operating instructions	13
Height adjustment	15
Head support	16
Cleaning.	17
To remove limescale.	17
Disinfection.	18
Maintenance	19
Maintenance inspection	19
Product label	21
Trouble-shooting	23
Electromagnetic compatibility	24
Electromagnetic immunity.	25
Electromagnetic emission	28
Disposal and recycling	29

en

Mounting instruction



A mounting instruction is included with the product. It can also be downloaded from pressalit.com.

Operational signage



An operational signage is included with the product. It can also be downloaded from pressalit.com.

Original instructions

Symbols used in this manual

The following symbols are used in this manual as well as the associated documentation supplied with the product.

				<p>WARNING indicates a potentially hazardous situation which, if not avoided, could result in death or serious injury.</p>
				<p>CAUTION indicates a potentially hazardous situation which, if not avoided, may result in minor or moderate injury. It may also be used to alert against unsafe practices.</p>
				<p>IMPORTANT indicates important information about handling and use of the product.</p>
				<p>NOTICE is used to address practices not related to personal safety.</p>
 <p>Hand injury warning</p>	 <p>Head injury warning</p>	 <p>Electricity / voltage warning</p>	 <p>Other specific warning</p>	
 <p>Compatible products</p>	 <p>Spare parts</p>	 <p>Power specifications</p>	 <p>EMC related symbols</p>	
 <p>Product weight</p>	 <p>Max. user weight</p>	 <p>Article number / versions</p>	 <p>Do not leave patient unattended</p>	

General safety

WARNING

- Read and understand the manual completely before use. Keep the manual close to the unit.
- Comply with this manual to avoid accidents involving serious personal injury.
- Never use or handle this product in other ways than are specified in this manual, as this can put your safety at risk and cause damage to the product.
- Make sure that everyone who is to install or use the product and its systems has the necessary information and access to this manual.

CAUTION

- Please comply with these instructions to avoid the product becoming damaged or destroyed.
- Do not perform repairs, disassembly, or assembly operations, extensions, re-adjustments or modifications to this product. These must be carried out by Pressalit or by persons authorized by Pressalit only.
- Never allow children to operate this product unless under supervision. The product is not intended for play.
- Never use the product if it is defective or damaged. Do not use a defective product before it has been repaired.

NOTICE

- The information in this manual is based on correct fitting of the product in accordance with our Assembly instruction.
- Pressalit cannot be held liable if the product is used in any way which differs from that described in the guide.
- We reserve the right to amend this manual without prior notice.

Intended use

This product is intended for showering/ changing a person who is unable to stand up or sit down. The person is lying horizontally on the shower table.

Intended operator profile

The product is to be used by a person trained in health care and/or trained in washing/ changing a person in their care.

Intended user profile

The product can be used by all - adults, children, young, old, whose weight does not exceed the **maximum load of 200 kg / 440 lbs.**

Operating environment

For indoor use in a wet environment, such as a bathroom or wash room. The product is intended to be used at room temperature, in private homes, nursing homes and hospitals under normal working conditions.

Contraindications for use

Use of the unit is not recommended for patients with infusion or insulin pump, inflammatory skin diseases or patients in feverish conditions.

en Patients with cardiac insufficiency, cardiovascular diseases, craniocerebral injury, open wounds, feed or drain lines (e.g. catheter, drainage tube) may use the unit only after consulting with the attending physician.

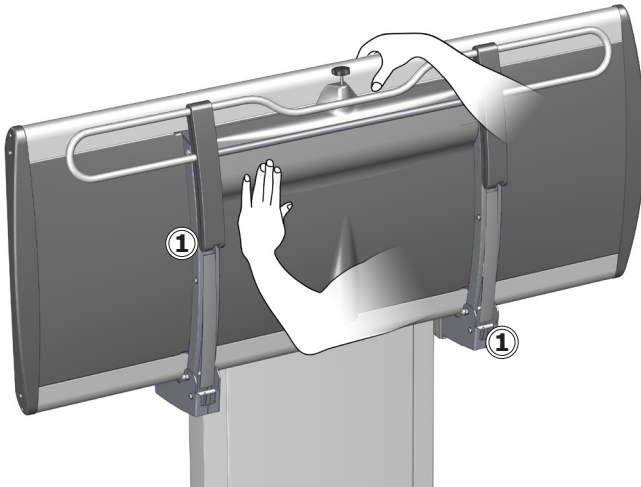
Biocompatibility

The materials in contact with the skin of the user during the intended use have been evaluated for their content of harmful substances according to the procedures in BS EN ISO 10993-1:2020 Biological evaluation of medical devices – Part 1 and are therefore considered suitable for this purpose.



The surface of the product may become hot and / or cold if exposed to external sources of heat or cold (eg sunlight or frost).

Operating instructions



Support the table using your hand or body when folding it up and down, to avoid the risk of damage.

The built-in gas cylinders make it easy to fold the table up against the wall after use.

en



Take care to avoid injury to hands when in the vicinity of closing mechanical parts ①.

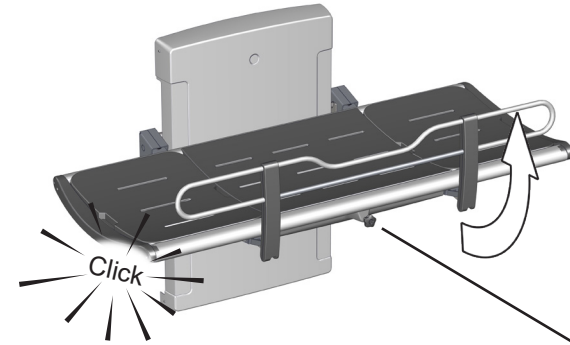


CAUTION

Always be careful when moving a person to and from the table.

NOTICE

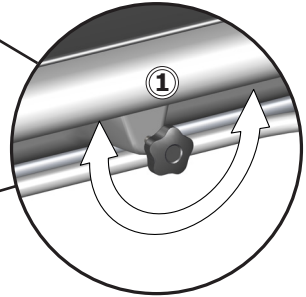
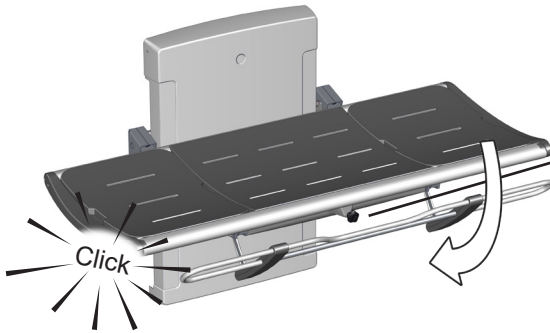
Any serious incident that has occurred in relation to the product should be reported to the manufacturer and the health authorities.



To pull the safety rail up:

Turn the locking knob ① one way or another to release the safety rail.

Lift the safety rail upwards until you hear a click indicating that it is locked.



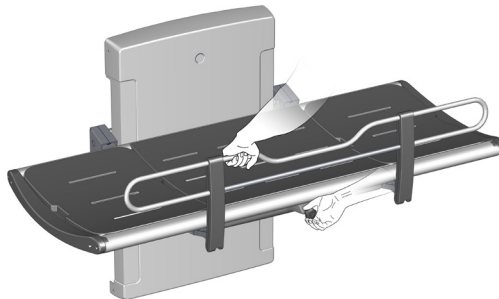
en To fold the safety rail away:

Turn the locking knob ① one way or another to release the safety rail.

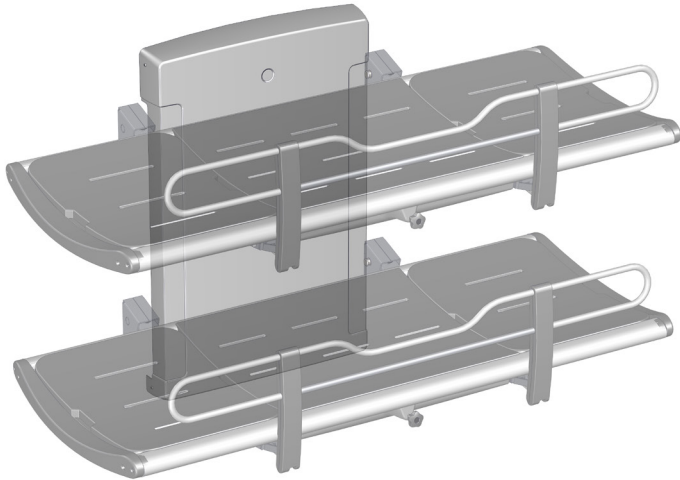
Push the safety rail back to the underside of the table until you hear a click indicating that it is locked.

NOTICE

If the locks do not release when turning the release knob, gently lift the rail, to take the weight off the locking mechanism. This will ensure the release of the locks.



Height adjustment



When the table is installed at the correct height (recommended installation height is 868 mm above the floor), it can be adjusted between 300 and 1000 mm above the floor.

en

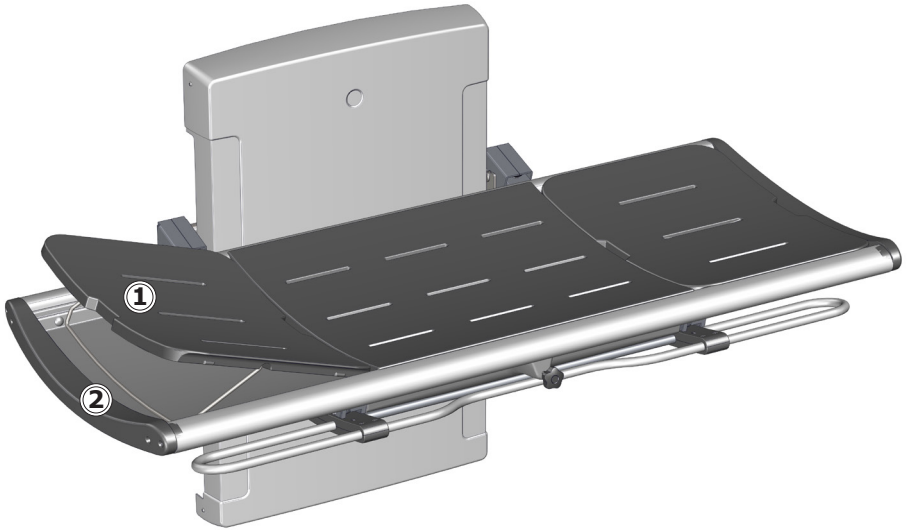
The height adjustment is controlled by the wired remote control unit.

Press and hold the up button to raise the table, and press and hold the down button to lower the table.



Make sure that there are no objects under the shower table when adjusting the height.

Head support



The end pad can be used as a head support for increased comfort. Use the cut-out grip ① to lift the pad. Fold the metal bracket ② down to hold the pad in the upright position.

en

The end pads are interchangeable and can be placed at either end of the table.

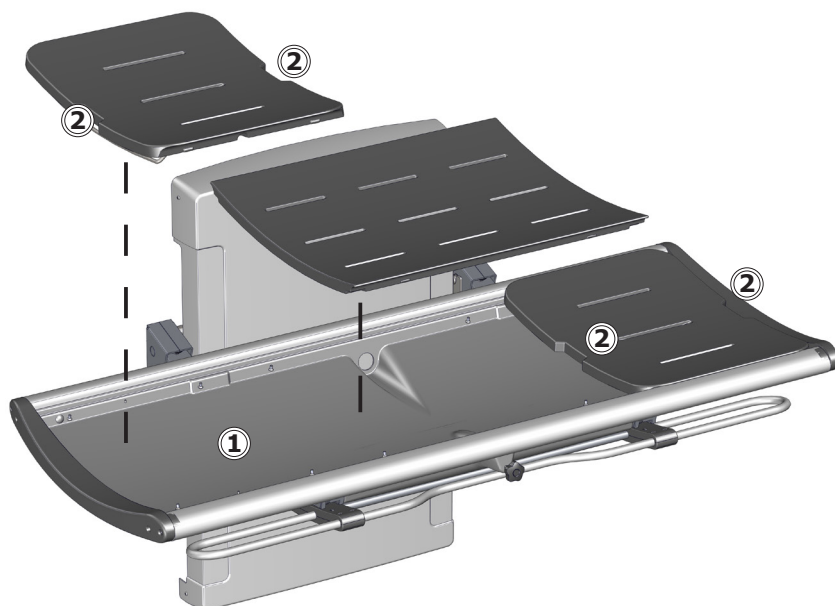


CAUTION

Never let a person lie on the shower table without the pads in place. The tray under the pads is for water collection only. It is not to be used as a bathtub. Risk of user injury and damage to product.

Cleaning

Clean the shower table after each use. Use ordinary soapy water. Rinse off with fresh water and dry with a soft cloth.



Do not leave the pads soaked in water. Remove the pads and dry the water collection tray ①. Use the cut-out grips ② when lifting the pads.

To remove limescale

To remove limescale marks on the aluminium parts, use 3 parts 30% household vinegar to 7 parts water and afterwards wipe the parts with a cloth wrung out in clean water.

In countries with relatively high levels of lime in the water supply, it may be necessary to remove limescale deposits from the aluminium parts using a de-scaling agent such as acetic acid. Test this first on an area that is not visible when the table is in use.

The product is to be cleaned with hot water or a mild soapy cleaning agent. A list of suitable cleaning agents tested by Pressalit can be found on www.pressalit.com.

 **CAUTION**

Always read the material safety data sheet (MSDS) and supplied instructions of the cleaning, disinfecting or de-scaling agent and comply with instructions for safe use, dilution, rinsing, drying, handling and storage of the agent.

IMPORTANT

- Do not use an autoclave or other type of steam cleaner.
- Avoid aggressive cleaning agents containing acids.
- Never spray the product directly with a high pressure cleaner.
- Avoid use of abrasive, corrosive or chlorine-based cleaning or disinfecting products.

en

Disinfection

When using the shower table for multiple patients, it is necessary to both clean and disinfect the shower table between uses on different patients to prevent the risk of cross infection.

NOTICE

If the product is installed in an atmosphere heavy in salt or chloride, the warranty of the shower table will be reduced from the normal 3 years to 1 year.

Salt and chloride have a corrosive effect on the products components and will cause a decrease in the life expectancy of the product. The damaging effects can, however, be reduced if the product is showered with tap water on a daily basis.

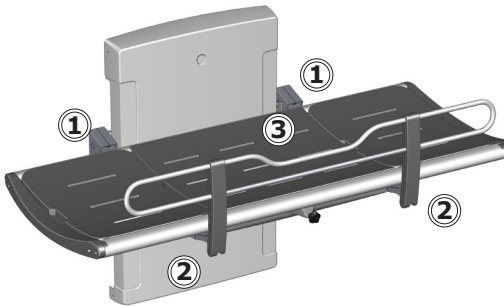
Maintenance

Expected service life of the shower table is 10 years for institutional use, provided that maintenance is carried out as described below:

It is recommended on a weekly basis to run the motors on the product to their maximum positions by raising the product to its full height, and then lowering it to its lowest position, so that the internal parts are lubricated.

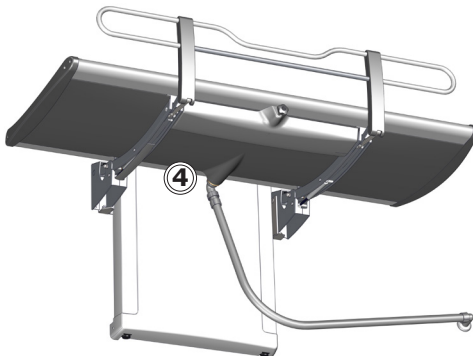
It is recommended that maintenance inspection is done once a year.

Maintenance inspection

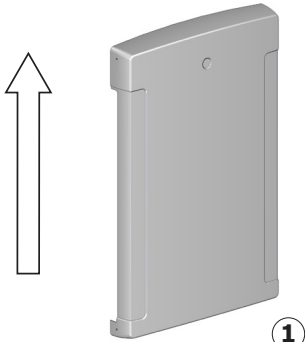


- Check the hinges ① on the table and the safety rail ②. Tighten if necessary.
- Check the pads ③ for damage and replace if necessary.

en

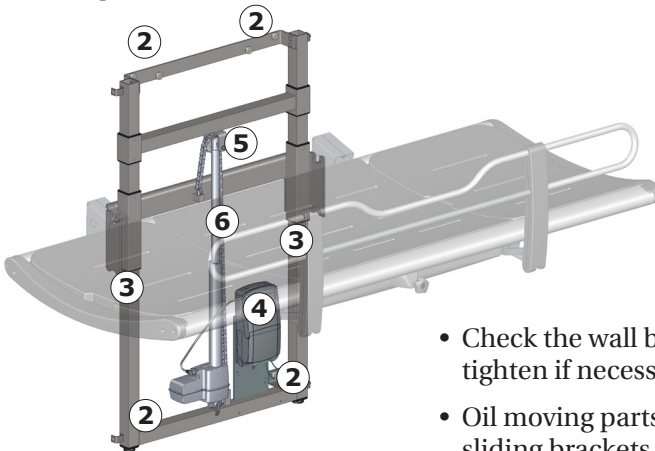
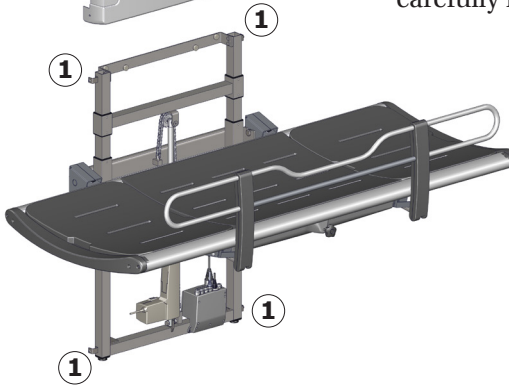


- Check the drain pipe connections ④, and check and clean the water trap (if fitted).



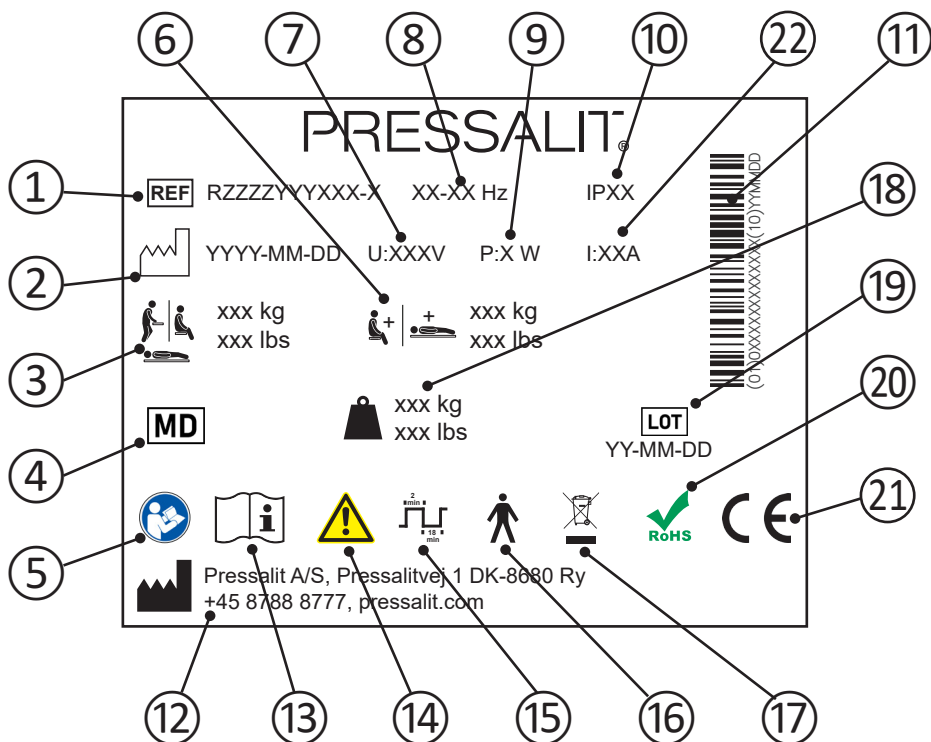
Disconnect mains before removing the covers.

Remove the upper and lower retaining screws ① on the lift unit cover and carefully remove the cover.



- Check the wall brackets ② and tighten if necessary.
- Oil moving parts, especially the sliding brackets ③.
- Check all electrical connections to the control box ④.
- Check the chain wheel ⑤ for wear.
- Oil the chain ⑥.
- Put the unit cover back again and tighten the retaining screws.

Product label



en

- ① Article number

- ② Production date

- ③ Maximum user weight

- ④ Medical device

- ⑤ Consult manual for use

- ⑥ Max load

- ⑦ Mains voltage

- ⑧ Frequency

- ⑨ Maximum power consumption

⑩ IP class

⑪ GS1-128 barcode

⑫ Name and address of manufacturer

⑬ Consult manual for use

⑭ Consult the manual for important cautionary information such as warnings and precautions.

⑮ Duty cycle

⑯ Type B applied part. Part of the product in normal use necessarily comes into physical contact with the patient to perform its function. The product complies with requirements of IEC 60601-1 to provide protection against electric shock

⑰ Do not dispose as unsorted municipal waste. The product should be collected separately and returned to the designated recycling service.

⑱ Product weight

⑲ Batch code

⑳ This product does not contain any of the hazardous substances mentioned in the Council Directive 2011/65/EC on RoHS.

These products are CE-marked in accordance with relevant requirements in:

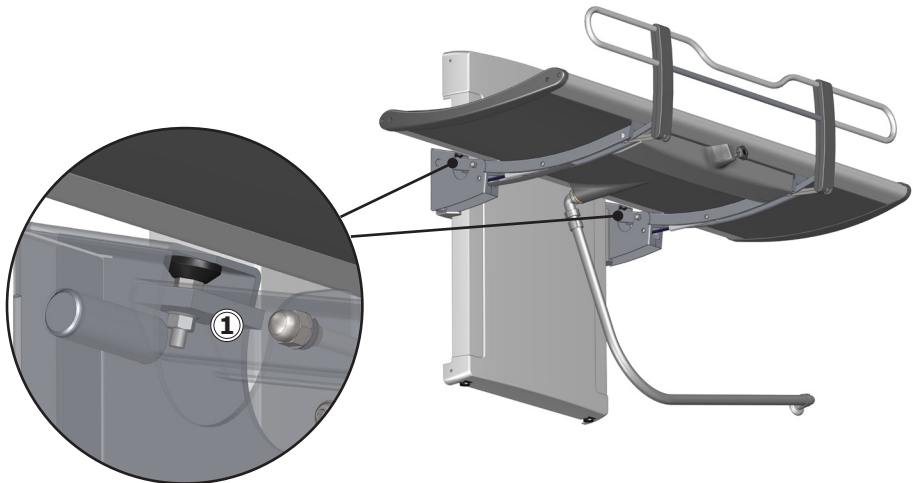
- ㉑
- Regulation (EU) 2017/745 (5 April 2017) on medical devices.
 - Council Directive 2006/42/EC (of 17 May 2006) on machinery.
 - Council Directive 2011/65/EC (of 8 June 2011) on RoHS.

A declaration of conformity can be found at pressalit.com

㉒ Electric Current

Trouble-shooting

Symptom	Cause	Action
The shower table does not stay in upright position.	One or more gas cylinders are defective.	Contact Pressalit A/S or your local dealer.
The product will not work, even though the remote control is used correctly.	Fault in power supply.	Check that all wires and plugs are intact and correctly connected. Contact Pressalit A/S or your local dealer.
The water does not run out of the water collection tray.	Adjustment screws too high or too low.	Adjust the adjustment screws ①.
The shower table runs up and down unevenly.	The sliding brackets are not properly lubricated.	Oil the sliding brackets as described under "Maintenance".



Contact Pressalit A/S or your dealer if the problem cannot be remedied. Do not attempt to repair the product yourself, as this will invalidate the guarantee.

Electromagnetic compatibility

The device is suitable for use at home, at daycare centres, at day centres for persons with physical or mental disabilities or at hospitals except near active HF surgical equipment and RF shielded rooms with medical systems for magnetic resonance imaging with high intensity of electromagnetic disturbances.


The device does not have any function related to basic safety or essential performance. In case of loss or degradation of performance due to electromagnetic disturbances, the user still can get on and off the product.


Cable	Length
Power cable	3,2 m (126")
Hand control spiral cable	Approx. 5 m (197") extended



- Use of accessories, transducers and cables other than those specified or provided by the manufacturer could result in increased electromagnetic emissions or decreased electromagnetic immunity of this equipment and result in improper function.
- Portable RF communications equipment (including peripherals such as antenna cables and external antennas) should be used no closer than 30 cm (12 inches) to any part of the unit, including its cables, to avoid any degradation of the performance of this unit.
- Use of this equipment adjacent to or stacked with other equipment should be voided because it could result in improper operation. If such use is necessary, this equipment and the other equipment should be observed to verify that they are operating normally.

Electromagnetic immunity

Electrostatic discharge	
	The product must not be affected by electrical discharge between a person and the product in such a way as to initiate actions or render components defective.
Test standard	Immunity test level
EN 61000-4-2	+/- 8 kV contact +/- 2, 4, 8, 15 kV air

Radiated RF electromagnetic field	
	The product must not be affected by radiating RF signals, for example from a mobile phone or radio, that could cause the product to take action or to make components defective.
Test standard	Immunity test level
EN 61000-4-3	15 V/m 80 MHz to 1000 MHz (only on the front) 15 V/m 1,01 GHz to 3 GHz 80 % AM 1 kHz

en

Immunity to proximity fields from RF wireless communication equipment



The product must not be affected by radiating RF signals, for example from a mobile phone or radio, that could cause the product to take action or to make components defective.

Test standard

Immunity test level

EN 61000-4-3*

385 MHz, 27V/m, 18 Hz PM (50 % duty cycle square wave)
 450 MHz, 28V/m, FM +/- 5 kHz deviation, 1 kHz sine
 710 MHz, 9V/m, 217 Hz PM (50 % duty cycle square wave)
 745 MHz, 9V/m, 217 Hz PM (50 % duty cycle square wave)
 780 MHz, 9V/m, 217 Hz PM (50 % duty cycle square wave)
 810 MHz, 28V/m, 18 Hz PM (50 % duty cycle square wave)
 870 MHz, 28V/m, 18 Hz PM (50 % duty cycle square wave)
 930 MHz, 28V/m, 18 Hz PM (50 % duty cycle square wave)
 1720 MHz, 28V/m, 217 Hz PM (50 % duty cycle square wave)
 1845 MHz, 28V/m, 217 Hz PM (50 % duty cycle square wave)
 1970 MHz, 28V/m, 217 Hz PM (50 % duty cycle square wave)
 2450 MHz, 28V/m, 217 Hz PM (50 % duty cycle square wave)
 5240 MHz, 9V/m, 217 Hz PM (50 % duty cycle square wave)
 5500 MHz, 9V/m, 217 Hz PM (50 % duty cycle square wave)
 5785 MHz, 9V/m, 217 Hz PM (50 % duty cycle square wave)

en

Electrical fast transient/burst



The product must not be affected by rapid pulse signals through the cord. This could cause the components to become defective, or the product could initiate actions.


Test standard

Immunity test level


EN 61000-4-4

+/- 1 kV , +/- 2 kV
 100 kHz repetition frequency

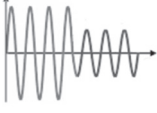
Surge immunity

	The product must not be affected to initiate actions or to render components defective as a result of lightning.
Test standard	Immunity test level
EN 61000-4-5	Line-to-line: +/- 0.5 kV, +/- 1 kV Line-to-ground: +/- 0.5 kV, +/- 1 kV, +/- 2 kV


Immunity to conducted disturbances induced by RF fields

	The wires must not be affected by other RF fields so as to initiate actions or render components defective.
Test standard	Immunity test level
EN 61000-4-6	3 V (6 V in ISM bands and amateur radio bands) 0,15 to 80 MHz , 80 % AM at 1 kHz


Voltage dips


	The product must not initiate or limit actions as a result of a dip in the power supply.
Test standard	Immunity test level
EN 61000-4-11	0 % U _T ; 0.5 cycle at 0°, 45°, 90°, 135°, 180°, 225°, 270° and 315°, 0 % U _T ; 1 cycle at 0°, 70 % U _T ; 25 cycles at 0° Single phase at 0°


Voltage interruptions


	The product must not initiate or limit actions as a result of a short-term power supply stop.
Test standard	Immunity test level
EN 61000-4-11	0 % U _T ; 300 cycle

Electromagnetic emission

Conducted RF emission	
	The product must not send too much noise into the grid. This could lead to a disruption of other products.
Test standard	Emission test class and group
EN 55011	Class B, group 1

Radiated RF emission	
	The product must not emit RF signals in the room. This could lead to a disruption of other products.
Test standard	Emission test class and group
EN 55011	Class B, group 1

Harmonic current emissions	
	The product must not unintentionally draw power from the grid.
Test standard	Emission test class and group
IEC 61000-3-2	Class A

Voltage changes, voltage fluctuations and flicker	
	The product must not affect other products when it is connected to the grid. For example, these could be lights that could start flashing and thus bother people in the room.
Test standard	Emission test class and group
EN 61000-3-3	Tested according to the standard.

Disposal and recycling

The unit contains reusable materials. There are no known hazards or risks associated with disposal of the product. All components can be discarded after having been cleaned and disinfected.

When disposing of the product, we recommend that it be disassembled and broken down into different waste groups for recycling or combustion.

The following table provides information on the recycling and handling of the product.

Recyclable components	Material
Aluminium	Aluminium is theoretically 100% recyclable without any loss of its natural qualities. It requires only 5% of the energy used to produce primary aluminium. The quality of recycled aluminium is so high that it can be used again and again, even in the case of anodised products as the anodised layer is a natural part of the aluminium.
Steel	Steel can be recycled by being re-melted and included as a secondary material in the production of new steel.
PVC and polystyrene	Hard PVC is granulated and re-melted. Use plastic sorting and recycling systems where they are locally available, otherwise incinerating plastic has the added benefit of generating energy, which can be used for, for example, combined heat and power production.
Polyurethane	Like other plastics, polyurethane can be recycled in two primary ways: mechanical recycling, in which the material is reused in its polymer form, and chemical recycling that takes the material back to its various chemical constituents.
Electronics	The electronic components should be collected separately and returned to the designated recycling service.

en

Indhold

Monteringsvejledning	30
Visuel guide	30
Symboler, der er anvendt i denne vejledning	31
Generel sikkerhed	32
Tilsluttet brug	33
Tilsluttet personaleprofil	33
Tilsluttet brugerprofil	33
Betjeningsmiljø	33
Kontraindikationer for brug	33
Biokompatibilitet	33
Betjeningsinstruktioner	34
Højderegulering	36
Hovedstøtte	37
Rengøring	38
Sådan fjernes kalkaflejringer	38
Desinfektion	39
Vedligeholdelse	40
Vedligeholdelsesinspektion	40
Produktmærkning	42
Fejlfinding	44
Elektromagnetisk kompatibilitet	45
Elektromagnetisk immunitet	46
Elektromagnetisk emission	49
Bortskaffelse og genbrug	50

dk

Monteringsvejledning



Der følger en monteringsvejledning med dette produkt. Den kan også downloades fra pressalit.com.

















Visuel guide



Der følger en visuel guide med produktet. Den kan også downloades fra pressalit.com.

Symboler, der er anvendt i denne vejledning

Følgende symboler er anvendt i denne vejledning og i den tilhørende dokumentation, der følger med produktet.

 ADVARSEL				<p>ADVARSEL angiver en potentielt farlig situation, som, hvis den ikke undgås, kan medføre dødsfald eller alvorlig personskade.</p>
 FORSIGTIG				<p>FORSIGTIG angiver en potentielt farlig situation, som, hvis den ikke undgås, kan medføre større eller mindre personskade. Det kan også bruges til at advare om usikre fremgangsmåder.</p>
 VIGTIGT				<p>VIGTIGT angiver vigtige oplysninger om håndtering og anvendelse af produktet.</p>
 BEMÆRK				<p>BEMÆRK vedrører fremgangsmåder, der ikke er forbundet med personlig sikkerhed.</p>
				
Advarsel om håndskade	Advarsel om hovedskade	Advarsel om elektricitet/spænding	Anden specifik advarsel	
				
Kompatible produkter	Reservedele	Elektriske specifikationer	EMC-relaterede symboler	
				
Produktvægt	Maks. brugervægt	Produkt-nummer/-versioner	Patienten må ikke være uovervåget	

dk

Generel sikkerhed

ADVARSEL

- Læs og forstå hele vejledningen før brug. Opbevar vejledningen tæt på produktet.
- Følg denne vejledning for at undgå uheld og alvorlig personskade.
- Dette produkt må aldrig bruges eller håndteres på anden måde end som angivet i denne vejledning, da dette vil kunne udgøre en risiko for din sikkerhed og beskadige produktet.
- Sørg for, at alle, der installerer eller bruger dette produkt og dets systemer, har de nødvendige oplysninger samt adgang til denne vejledning.

FORSIGTIG

- Følg disse instruktioner for at undgå, at produktet beskadiges eller ødelægges.
- Der må ikke foretages reparationer, demontering, samlinger, udvidelser, tilpasninger eller ændringer på dette produkt. Dette må kun udføres af Pressalit eller af personer, som er autoriseret af Pressalit.
- Lad ikke børn betjene dette produkt uden opsyn. Produktet er ikke beregnet til leg.
- Produktet må ikke benyttes, hvis det er defekt eller beskadiget. Et defekt produkt må ikke anvendes, før det er repareret.

BEMÆRK

- Oplysningerne i denne vejledning er baseret på korrekt justering af produktet i overensstemmelse med vores monteringsvejledning.
- Pressalit kan ikke holdes ansvarlig, hvis produktet bruges på andre måder end som beskrevet i vejledningen.
- Vi forbeholder os ret til at ændre denne vejledning uden forudgående varsel.

Tilsigtet brug

Dette produkt er beregnet til at bruse/skifte en person, som ikke kan stå op eller sidde ned. Personen ligger vandret på bruselejet.

Tilsigtet personaleprofil

Produktet skal bruges af en person, der er uddannet inden for sundhedsplejen og/eller trænet i at vaske/skifte en person.

Tilsigtet brugerprofil

Produktet kan anvendes af alle – voksne, børn, unge og gamle, hvis vægt ikke overstiger den **maksimal belastning på 200 kg**.

Betjeningsmiljø

Til indendørs brug i våde omgivelser, som f.eks. et badeværelse eller vaskerum. Produktet er beregnet til anvendelse ved stuetemperatur, i private hjem, på plejehjem og hospitaler under normale arbejdsforhold.

Kontraindikationer for brug

Brug af enheden anbefales ikke for patienter med infusions- eller insulinpumpe, sygdomme med hudbetændelse eller patienter med feberlidelser.

Patienter med hjerteinsufficiens, hjertekarsygdomme, kraniocerebral skade, åbne sår, tilførsels- eller udtagslanger (f.eks. kateter, drænageslange) kan evt. bruge enheden men kun efter rådføring med den behandlende læge.

dk

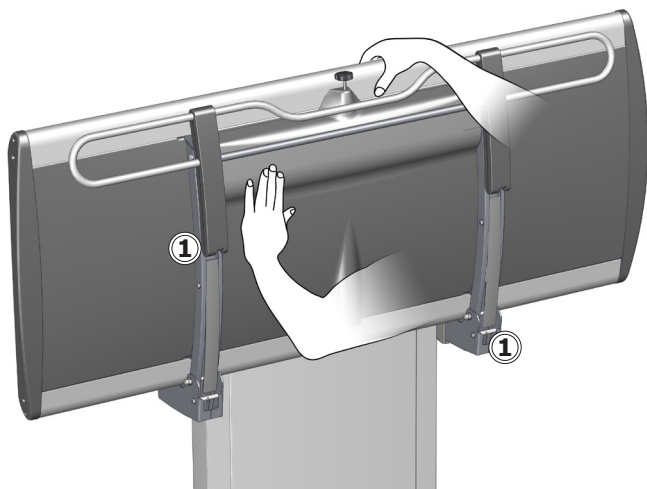
Biokompatibilitet

De materialer, der kommer i kontakt med brugerens hud under den tilsigtede brug, er blevet evalueret for deres indhold af skadelige stoffer i henhold til procedureerne i DS/EN ISO 10993-1:2020 Biologisk vurdering af medicinsk udstyr – Del 1 og anses derfor for at være passende til dette formål.



Produktets overflade kan blive varm og/eller kold, hvis den udsættes for eksterne varme- eller kuldekilder (f.eks. sollys eller frost).

Betjeningsinstruktioner



Støt lejet med hånden eller kroppen, når det skal foldes op eller ned, for at undgå risiko for skader.

De indbyggede gascylindere gør det let at folde lejet op mod væggen efter brug.

dk



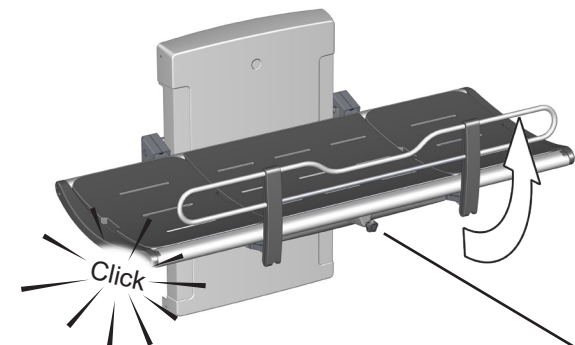
Udvis forsigtighed for at undgå skader på hænderne, når disse er i nærheden af lukkende mekaniske dele ①.

 **FORSIGTIG**

Vær altid forsigtig, når en person flyttes til og fra lejet.

BEMÆRK

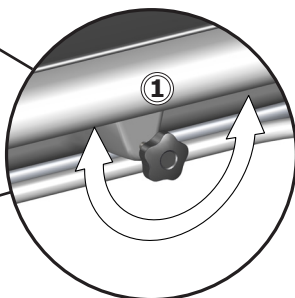
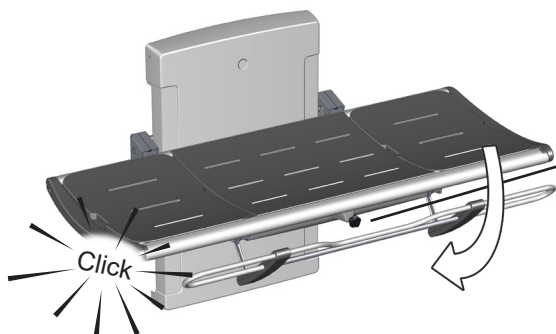
Enhver alvorlig hændelse, der opstår i relation til produktet, skal rapporteres til producenten og sundhedsmyndighederne.



Sådan slås sengehesten op:

Drej låseknappen ① den ene eller anden vej for at frigøre sengehesten.

Løft sengehesten opad, indtil du hører et klik, som indikerer, den er låst.



Sådan foldes sengehesten væk:

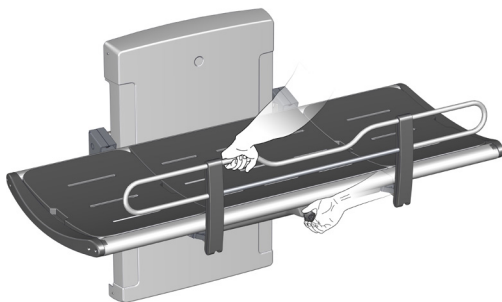
Drej låseknappen ① den ene eller anden vej for at frigøre sengehesten.

Skub sengehesten tilbage til undersiden af lejet, indtil du hører et klik, som indikerer, den er låst.

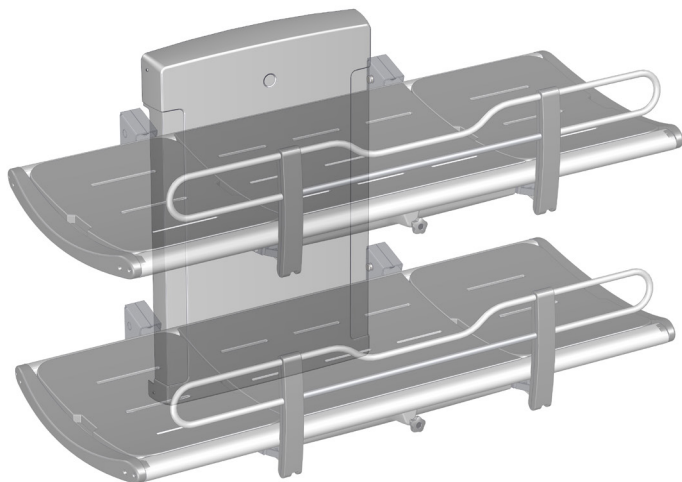
dk

BEMÆRK

Hvis låsene ikke frigøres, når frigørelsesknappen drejes, skal man forsigtigt løfte sengehesten for at fjerne vægten fra låsemekanismen. Det vil frigøre låsene.



Højderegulering



Når lejet er installeret i den korrekte højde (anbefalet installationshøjde er 868 mm over gulvet), kan det justeres til mellem 300 og 1000 mm over gulvet.



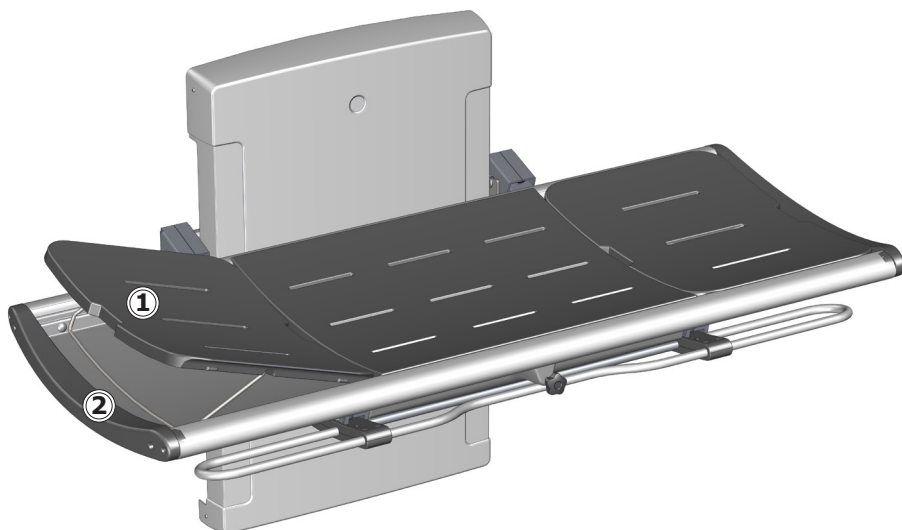
Højdejusteringen styres med den ledningstilsluttede fjernbetjening.

Tryk på pil op-knappen, og hold den inde for at hæve lejet, og tryk på pil ned-knappen, og hold den inde for at sænke lejet.



Sørg for, at der ikke er nogen genstande under bruselejet ved justering af højden.

Hovedstøtte



Puden for enden kan bruges som hovedstøtte for bedre komfort. Brug det udskårne greb ① til at løfte puden. Fold metalstøtten ned ② for at holde puden i oprejst stilling.

Puderne for enden kan udskiftes og placeres i hver ende af lejet.

dk

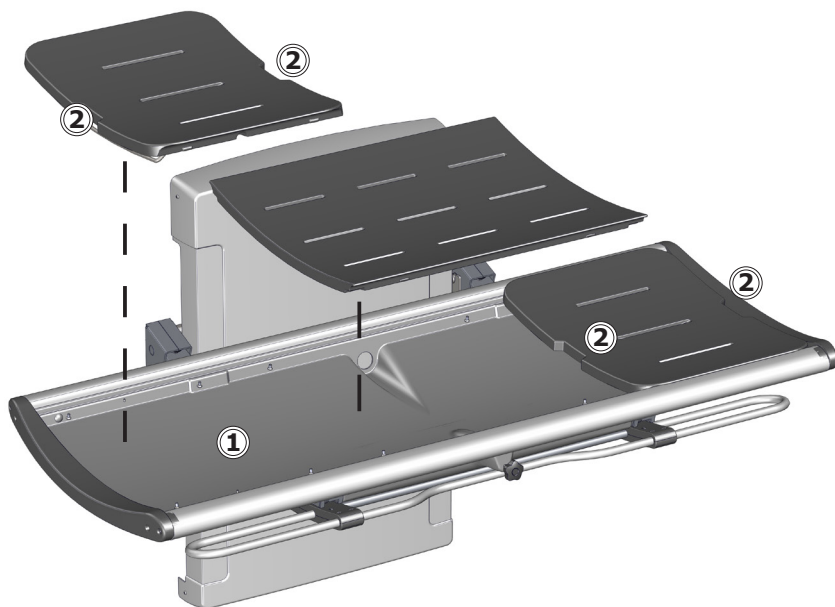


FORSIGTIG

Lad **aldrig** en person ligge på bruselejet, uden at puderne er på plads. Bakken under puderne er kun beregnet til opsamling af vand. Det skal ikke bruges som et badekar. Risiko for kvæstelse af brugeren og beskadigelse af produktet.

Rengøring

Rengør bruselejet efter hver brug. Brug almindeligt sæbevand. Skyl efter med rent vand, og tør med en blød klud.



dk

Puderne må ikke ligge i blød i vand. Fjern puderne, og tør vandopsamlingsbakken ①. Brug de udskårne greb ②, når puderne skal løftes.

Sådan fjernes kalkaflejringer

For at fjerne kalkaflejringer på aluminiumsdelene skal du bruge 3 dele 30 % husholdningseddike til 7 dele vand. Herefter tørres delene med en klud, der er vredet op i rent vand.

I lande med relativt højt kalkindhold i vandforsyningen, kan det være nødvendigt at fjerne kalkaflejringer fra aluminiumdelene ved hjælp af et afkalkningsmiddel, som f.eks. eddikesyre. Afprøv først dette på et område, der ikke er synligt, når lejet er i brug.

Produktet skal rengøres med varmt vand eller mildt sæbevand.
Der findes en liste over passende rengøringsmidler, der er testet af Pressalit, på pressalit.com.

FORSIGTIG

Læs altid sikkerhedsdatabladet (MSDS) og de instruktioner, der følger med rengørings-, desinfektions- eller afkalkningsmidlet, og følg instruktionerne for sikker brug, fortynding, skylning, tørring, håndtering og opbevaring af midlet.

VIGTIGT

- Brug ikke autoklavering eller en anden form for damprensere.
- Undgå stærke rengøringsmidler, der indeholder syre.
- Produktet må aldrig sprøjtes direkte med en højtryksrenser.
- Undgå brug af slibende, ætsende eller klorbaserede rengørings- eller desinfektionsmidler.

dk

Desinfektion

Når bruselejet benyttes til flere patienter, er det nødvendigt både at rengøre og desinficere bruselejet mellem de forskellige patienter for at forhindre risikoen for krydsinfektion.

BEMÆRK

Hvis produktet installeres i omgivelser med meget salt eller klor, reduceres bruselejets garanti fra de normale 3 år til 1 år.

Salt og klor kan have en ætsende virkning på produktets komponenter og vil nedsætte produktets forventede levetid. De skadelige virkninger kan dog reduceres, hvis produktet dagligt bruses over med vand fra hanen.

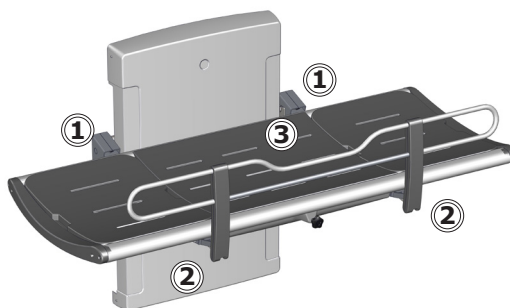
Vedligeholdelse

Den forventede levetid for bruselejet er 10 år ved institutionsbrug, forudsat at vedligeholdelsen udføres som beskrevet nedenfor:

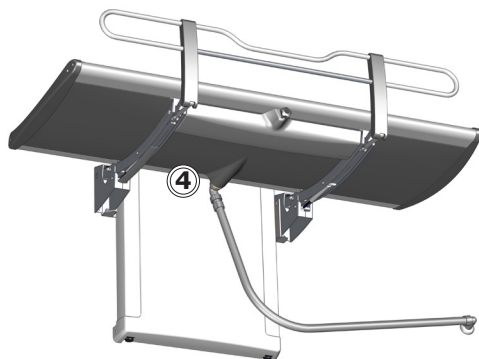
Det anbefales at køre motorerne på produktet til deres maksimale position én gang om ugen ved at hæve produktet til dets fulde højde og derefter sænke det til den laveste position, så de indvendige dele smøres.

Det anbefales, at der udføres vedligeholdelsesinspektion en gang om året.

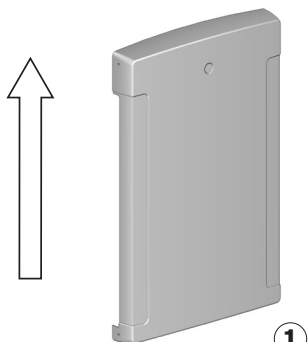
Vedligeholdelsesinspektion



- Kontrollér hængslerne ① på lejet og sengehesten ②. Stram dem om nødvendigt.
- Kontrollér puderne ③ for skader, og udskift dem om nødvendigt.

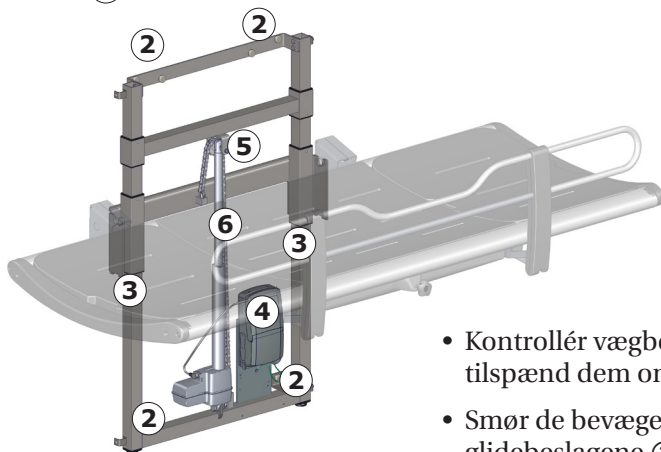
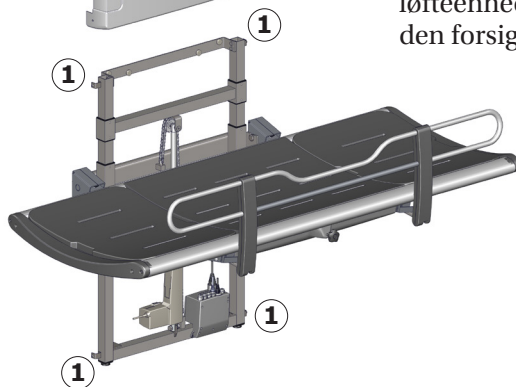


- Kontrollér afløbsslangetilslutningerne ④, og kontrollér samt rengør vandlåsen (hvis den er monteret).



**Frakobl
netstrømsforsyningen,
før afskærmningen
tages af.**

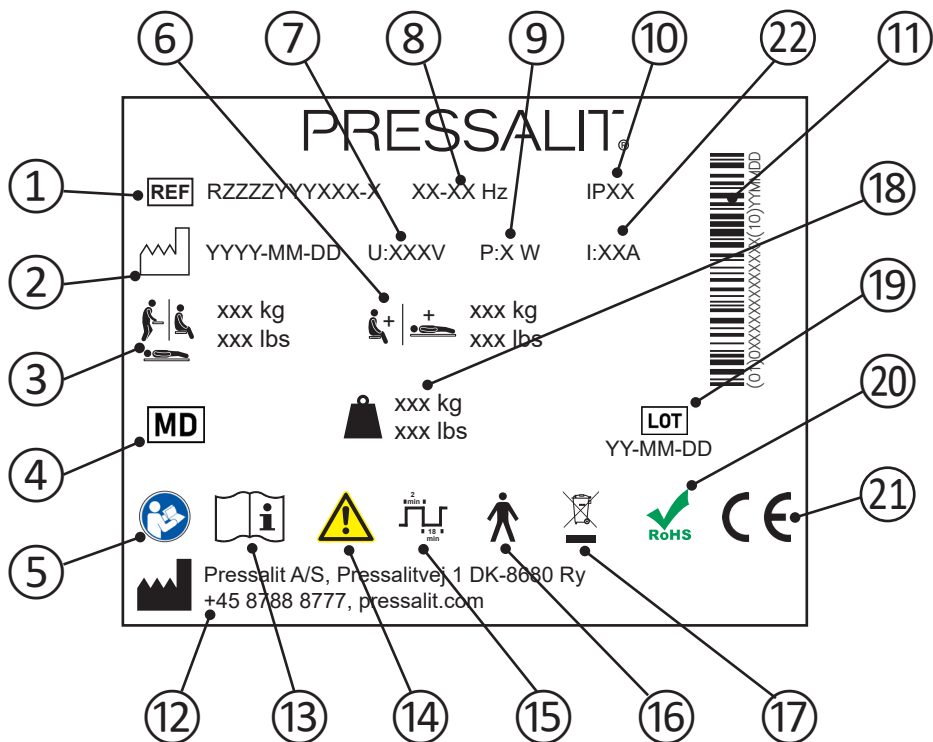
Fjern de øverste og nederste monteringskruer ① på løfteenhedens afdækning, og fjern den forsigtigt.



dk

- Kontrollér alle de elektriske forbindelser til kontrolboksen ④.
- Kontrollér kædehjulet ⑤ for slitage.
- Smør kæden ⑥.
- Sæt løfteenhedens afdækning på igen, og stram monteringskruerne.

Produktmærkning



- ① Produktnummer

- ② Fremstillingsdato

- ③ Maks. brugervægt

- ④ Medicinsk udstyr

- ⑤ Se brugsvejledningen

- ⑥ Maksimal belastning

- ⑦ Netspænding

- ⑧ Frekvens

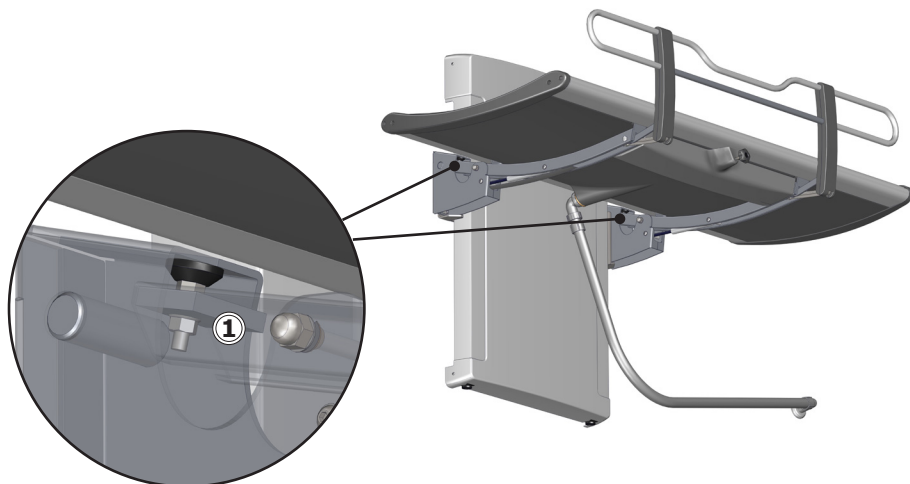
- ⑨ Maks. strømforbrug

-
- ⑩ IP-klasse
-
- ⑪ GS1-128-stregkode
-
- ⑫ Fabrikantens navn og adresse
-
- ⑬ Se brugsvejledningen
-
- ⑭ Se vigtige advarende oplysninger, som f.eks. advarsler og sikkerhedsforanstaltninger, i vejledningen.
-
- ⑮ Driftscyklus
-
- ⑯ Type B anvendt del. Dele af produktet vil under normal anvendelse nødvendigvis komme i fysisk kontakt med patienten. Produktet opfylder kravene i IEC 60601-1 for at beskytte mod elektrisk stød.
-
- ⑰ Må ikke bortskaffes som usorteret husholdningsaffald. Produktet skal indsamles særskilt og afleveres på den relevante genbrugsstation.
-
- ⑱ Produktvægt
-
- ⑲ Batchkode
-
- ⑳ Dette produkt indeholder ikke nogen af de farlige stoffer, der er nævnt i Rådets direktiv 2011/65/EF om RoHS.
-
- Disse produkter er CE-mærket i overensstemmelse med relevante krav i:
- Rådets forordning (EU) 2017/745 (af 5. april 2017) om medicinsk udstyr.
 - Maskindirektivet 2006/42/EØF (af 17. maj 2006).
 - RoHS-direktivet 2011/65/EU (af 8. juni 2011).
- Der findes en overensstemmelseserklæring på pressalit.com
-
- ㉑ Strømstyrke

Fejlfinding

Symptom	Årsag	Handling
Bruselejet forbliver ikke i oprejst stilling.	En eller flere gascylindere er defekt(e).	Kontakt Pressalit A/S eller din lokale forhandler.
Produktet fungerer ikke, selvom håndbetjeningen anvendes korrekt.	Fejl i strømforsyningen.	Kontrollér, at alle ledninger og stik er intakte og korrekt tilsluttet. Kontakt Pressalit A/S eller din lokale forhandler.
Vandet løber ikke ud af vandopsamlingsbakken.	Justeringsskrueene er for høje eller for lave.	Juster justeringsskrueene ①.
Bruselejet kører ujævnt op og ned.	Glidebeslagene er ikke smurt tilstrækkeligt.	Smør glidebeslagene som beskrevet under "Vedligeholdelse".

dk



Kontakt Pressalit A/S eller din forhandler, hvis problemet ikke kan løses. Forsøg ikke selv at reparere produktet, da dette vil ugyldiggøre garantien.

Elektromagnetisk kompatibilitet

Enheden er egnet til brug i hjemmet, i daginstitutioner, på daginstitutioner for personer med fysiske eller mentale vanskeligheder eller på hospitaler undtagen i nærheden af aktivt HF-kirurgisk udstyr og i RF-afskærmede rum med medicinske systemer til MR-scanning med elektromagnetiske forstyrrelser af høj intensitet.

Enheden har ikke nogen funktioner, der er relateret til den grundlæggende sikkerhed eller væsentlige ydeevne. Hvis ydeevnen forringes på grund af elektromagnetiske forstyrrelser, kan brugeren stadig komme op på og ned fra produktet.


Kabel	Længde
Strømkabel	3,2 m
Spiralkabel til fjernbetjening	Ca. 5 m udstrakt




- Brug af tilbehør, transducere og kabler af andre mærker end dem, der er specificeret eller leveret af producenten, kan medføre øgede elektromagnetiske emissioner eller reduceret elektromagnetisk immunitet i dette udstyr og medføre forkert funktion.
- Bærbart RF-kommunikationsudstyr (herunder perifert udstyr som f.eks. antennekabler og eksterne antenner) må ikke bruges tættere på end 30 cm fra enhver del af enheden, herunder kabler, for at undgå en eventuel forringelse af denne enheds ydeevne.
- Brug af dette udstyr i nærheden af eller stablet oven på andet udstyr skal undgås, da det kan medføre forkert funktion. Hvis en sådan brug er nødvendigt, skal dette udstyr og det andet udstyr observeres for at bekræfte, at det fungerer normalt.

dk

Elektromagnetisk immunitet

Elektrostatisk afladning	
	Produktet må ikke påvirkes af elektrisk afladning mellem brugeren og produktet på en sådan måde, at det kræver indgriben eller medfører defekter på komponenter.
Teststandard	Niveau af immunitetstest
EN 61000-4-2	+/- 8 kV-kontakt +/- 2, 4, 8, 15 kV luft

Udstrålet RF-elektromagnetisk felt	
	Produktet må ikke påvirkes af udstrålende RF-signaler. Dette kan f.eks. være signaler fra en mobiltelefon eller radio, der kunne få produktet til at påbegynde handlinger eller medføre defekter på komponenter.
Teststandard	Niveau af immunitetstest
EN 61000-4-3	15 V/m 80 MHz til 1000 MHz (kun på forsiden) 15 V/m 1,01 GHz til 3 GHz 80 % AM 1 kHz

Immunitet over for proksimitetsfelter fra trådløst RF-kommunikationsudstyr	
	Produktet må ikke påvirkes af udstrålende RF-signaler. Dette kan f.eks. være signaler fra en mobiltelefon eller radio, der kunne få produktet til at påbegynde handlinger eller medføre defekter på komponenter.

dk

Teststandard	Niveau af immunitetstest
EN 61000-4-3*	<p>385 MHz, 27 V/m, 18 Hz PM (firkantimpuls på 50 % for driftscyklus)</p> <p>450 MHz, 28 V/m, FM +/- 5 kHz afvigelse, 1 kHz sine</p> <p>710 MHz, 9 V/m, 217 Hz PM (firkantimpuls på 50 % for driftscyklus)</p> <p>745 MHz, 9 V/m, 217 Hz PM (firkantimpuls på 50 % for driftscyklus)</p> <p>780 MHz, 9 V/m, 217 Hz PM (firkantimpuls på 50 % for driftscyklus)</p> <p>810 MHz, 28 V/m, 18 Hz PM (firkantimpuls på 50 % for driftscyklus)</p> <p>870 MHz, 28 V/m, 18 Hz PM (firkantimpuls på 50 % for driftscyklus)</p> <p>930 MHz, 28 V/m, 18 Hz PM (firkantimpuls på 50 % for driftscyklus)</p> <p>1720 MHz, 28 V/m, 217 Hz PM (firkantimpuls på 50 % for driftscyklus)</p> <p>1845 MHz, 28 V/m, 217 Hz PM (firkantimpuls på 50 % for driftscyklus)</p> <p>1970 MHz, 28 V/m, 217 Hz PM (firkantimpuls på 50 % for driftscyklus)</p> <p>2450 MHz, 28 V/m, 217 Hz PM (firkantimpuls på 50 % for driftscyklus)</p> <p>5240 MHz, 9 V/m, 217 Hz PM (firkantimpuls på 50 % for driftscyklus)</p> <p>5500 MHz, 9 V/m, 217 Hz PM (firkantimpuls på 50 % for driftscyklus)</p> <p>5785 MHz, 9 V/m, 217 Hz PM (firkantimpuls på 50 % for driftscyklus)</p>

dk

Hurtig elektrisk overspænding/strømstød	
	<p>Produktet må ikke blive påvirket af hurtige pulssignaler gennem ledningen. Det kunne medføre at komponenterne blev defekte, eller produktet kunne igangsætte handlinger.</p>
Teststandard	Niveau af immunitetstest
EN 61000-4-4	<p>+/- 1 kV, +/- 2 kV</p> <p>100 kHz repetitionsfrekvens</p>

Øverspændingsimmunitet



Produktet må ikke påvirkes til at igangsætte handlinger eller gøre komponenter defekte som følge af lynnedslag.

Teststandard

Niveau af immunitetstest

EN 61000-4-5

Fase-til-fase: +/- 0,5 kV, +/- 1 kV
Fase-til-jord: +/- 0,5 kV, +/- 1 kV, +/- 2 kV

Immunitet over for ledningsbårne forstyrrelser induceret af radiofrekvente felter



Ledningerne må ikke kunne påvirkes af andre RF-felter sådan at det igangsætter handlinger eller gør komponenter defekte.

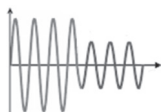
Teststandard

Niveau af immunitetstest

EN 61000-4-6

3 V (6 V i ISM-bånd og amatør radiobånd)
0,15 til 80 MHz, 80 % AM ved 1 kHz

Spændingsdyk



Produktet må ikke igangsætte eller begrænse handlinger som følge af et dyk i spændingsforsyningen.

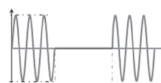
Teststandard

Niveau af immunitetstest

EN 61000-4-11

0 % U_T ; 0,5 cyklus ved 0°, 45°, 90°, 135°, 180°, 225°, 270° og 315°, 0 % U_T ; 1 cyklus ved 0°, 70 % U_T ; 25 cyklusser ved 0°
Enfase ved 0°

Spændingsforstyrrelser



Produktet må ikke starte eller begrænse handlinger som et resultat af en kortvarig strømafbrydelse.


Teststandard


Niveau af immunitetstest


EN 61000-4-11

0 % U_T ; 300 cyklus

Elektromagnetisk emission

Ledningsbåren RF-emission	
	Produktet må ikke udsende for meget støj til forsyningsnettet. Dette kan medføre forstyrrelse af andre produkter.
Teststandard	Emissionstestklasse og -gruppe
EN 55011	Klasse B, gruppe 1

Udstrålet RF-emission	
	Produktet må ikke sende RF-signaler ud i lokalet. Det kunne medføre forstyrrelser af andre produkter.
Teststandard	Emissionstestklasse og -gruppe
EN 55011	Klasse B, gruppe 1

Harmoniske strømmissioner	
	Produktet må ikke utilsigtet trække strøm fra nettet.
Teststandard	Emissionstestklasse og -gruppe
IEC 61000-3-2	Klasse A

Spændingsændringer, spændingsudsving og støj	
	Produktet må ikke påvirke andre produkter, når det er tilsluttet nettet. Dette kan f.eks. være lamper, som begynder at blinke og derved generer personer i rummet.
Teststandard	Emissionstestklasse og -gruppe
EN 61000-3-3	Testet i henhold til standarden.

Bortskaffelse og genbrug

Produktet indeholder genbrugelige materialer. Der er ingen kendte farer eller risici forbundet med bortskaffelse af produktet. Alle komponenter kan bortskaffes efter at være blevet rengjort og desinficeret.

Ved bortskaffelse af produktet anbefales det, at det skilles ad og inddeles i forskellige affaldsgrupper til genbrug eller forbrænding.

Følgende tabel indeholder oplysninger om genbrug og håndtering af produktet.

Genanvendelige komponenter	Materiale
Aluminium	Aluminium er i teorien 100 % genanvendeligt uden tab af dets naturlige kvaliteter. Det kræver kun 5 % af den energi, der bruges til produktion af primær aluminium. Kvaliteten af det genbrugte aluminium er så høj, at det kan bruges igen og igen, selv i tilfælde af anodiserede produkter, da det anodiserede lag er en naturlig del af aluminiummet.
Stål	Stål kan genbruges ved hjælp af omsmelting og anvendes som sekundært materiale i produktionen af nyt stål.
PVC og polystyren	Hård PVC granuleres og omsmeltes. Brug plastiksorterings- og genbrugssystemer, hvis de er tilgængelige i lokalområdet, og ellers har forbrænding af plastik den ekstra fordel, at det genererer energi, hvilket kan anvendes til f.eks. en kombination af varme- og kraftproduktion.
Polyuretan	Som med andre former for plastik kan polyuretan genbruges på to måder: Mekanisk genbrug, hvor materialet genbruges i sin polymerform, og kemisk genbrug, som bringer materialet tilbage til dets forskellige kemiske bestanddele.
Elektronik	De elektroniske komponenter skal indsamles særskilt og afleveres på den relevante genbrugsstation.

Inhalt

Montageanleitung	51
Kurzanleitung in Bildern	51
Symbole in dieser Gebrauchsanweisung	52
Allgemeine Sicherheitshinweise	53
Verwendungszweck	54
Vorgesehene Bediener	54
Vorgesehene Patienten	54
Betriebsbedingungen	54
Kontraindikationen	54
Biologische Beurteilung	54
Bedienungsanleitung	55
Höhenverstellung	57
Kopfstütze	58
Reinigung	59
Entfernen von Kalkflecken	59
Desinfektion	60
Wartung	61
Wartungsinspektion	61
Typenschild	63
Fehlerbehebung	65
Elektromagnetische Verträglichkeit	66
Elektromagnetische Störfestigkeit	67
Elektromagnetische Emissionen	70
Entsorgung und Wiederverwertung	71

de

Montageanleitung



Dem Produkt ist eine Montageanleitung beigelegt. Diese kann auch von der Website www.pressalit.com heruntergeladen werden.

Kurzanleitung in Bildern



Diesem Produkt ist eine Kurzanleitung in Bildern beigelegt. Diese kann auch von der Website www.pressalit.com heruntergeladen werden.

Symbole in dieser Gebrauchsanweisung

Die folgenden Symbole werden sowohl in dieser Gebrauchsanweisung als auch in der mit dem Produkt mitgelieferten Dokumentation verwendet.

	<p>WARNUNG weist auf zu vermeidende Gefahrensituationen hin, die zum Tod oder zu schwerwiegenden Verletzungen führen können.</p>		
	<p>VORSICHT weist auf zu vermeidende Gefahrensituationen hin, die zu geringfügigen oder mittelschweren Verletzungen führen können. Es kann auch zur Warnung vor unsicheren Verfahren dienen.</p>		
	<p>WICHTIG weist auf wichtige Informationen zur Handhabung und Verwendung des Produkts hin.</p>		
	<p>HINWEIS kennzeichnet Verfahren und Informationen, ohne dass Verletzungsgefahr besteht.</p>		
 <p>Warnung: Verletzungsgefahr für die Hände</p>	 <p>Warnung: Gefahr von Kopfverletzungen</p>	 <p>Warnung vor elektrischer Spannung</p>	 <p>Sonstige Warnhinweise</p>
 <p>Kompatible Produkte</p>	 <p>Ersatzteile</p>	 <p>Leistungsdaten</p>	 <p>EMV-bezogene Symbole</p>
 <p>Gewichtangabe</p>	 <p>Max. Gewicht des Benutzers</p>	 <p>Artikelnummer/ Versionen</p>	 <p>Patient darf nicht unbeaufsichtigt gelassen werden</p>

de

Allgemeine Sicherheitshinweise

WARNUNG

- Lesen Sie vor Verwendung des Produkts die Gebrauchsanweisung vollständig durch. Bewahren Sie die Gebrauchsanweisung in der Nähe des Produkts auf.
- Befolgen Sie diese Gebrauchsanweisung, um schwerwiegende Verletzungen zu vermeiden.
- Verwenden und handhaben Sie dieses Produkt ausschließlich wie in dieser Gebrauchsanweisung beschrieben. Anderenfalls besteht Verletzungsgefahr für den Anwender oder die Gefahr von Schäden am Produkt.
- Stellen Sie sicher, dass alle Personen, die dieses Produkt und seine Komponenten installieren oder verwenden, über die notwendigen Informationen verfügen und Zugang zu dieser Gebrauchsanweisung haben.

VORSICHT

- Befolgen Sie diese Anweisungen, um Schäden am Produkt zu vermeiden.
- Nehmen Sie keine Reparaturen, Montagen, Erweiterungen, Anpassungen oder Veränderungen am Produkt vor und zerlegen Sie es nicht. Diese Arbeiten dürfen ausschließlich von Pressalit-Mitarbeitern oder von anderen, durch Pressalit autorisierten Personen durchgeführt werden.
- Lassen Sie niemals Kinder unbeaufsichtigt dieses Produkt bedienen. Das Produkt darf nicht als Spielzeug verwendet werden.
- Verwenden Sie das Produkt niemals, wenn es defekt oder beschädigt ist. Verwenden Sie ein defektes Produkt erst wieder, nachdem es repariert wurde.

HINWEIS

- Die Informationen in dieser Gebrauchsanweisung setzen den korrekten Einbau des Produkts gemäß unserer Montageanweisung voraus.
- Pressalit haftet nicht, wenn das Produkt anders als in dieser Gebrauchsanweisung beschrieben verwendet wird.
- Änderungen vorbehalten.

Verwendungszweck

Das Produkt ist zum Duschen/Umkleiden von Personen vorgesehen, die nicht stehen oder sitzen können. Die Person liegt dabei waagrecht auf der Duschiiege.

Vorgesehene Bediener

Das Produkt ist für die Bedienung durch Personen vorgesehen, die in der medizinischen Pflege und/oder im Waschen/Umkleiden von durch sie betreute Personen geschult sind.

Vorgesehene Patienten

Das Produkt kann von Erwachsenen und Kindern jeden Alters genutzt werden, deren Körpergewicht dessen **maximale Belastbarkeit von 200 kg** nicht überschreitet.

Betriebsbedingungen

Zum Gebrauch in Nassräumen wie Badezimmern oder Waschräumen. Das Produkt ist unter normalen Arbeitsbedingungen bei Raumtemperatur in Privathaushalten, Pflegeeinrichtungen und Krankenhäusern vorgesehen.

Kontraindikationen

Die Nutzung des Produkts wird bei Patienten mit Infusions- oder Insulinpumpe, entzündlichen Hautkrankheiten oder fiebernden Patienten nicht empfohlen.

Patienten mit Herzinsuffizienz, Herz-Kreislauf-Erkrankungen, Schädel-Hirn-Trauma, offenen Wunden oder gelegten Zugängen (z. B. Katheter, Drainageschlauch) dürfen das Produkt erst nach Rücksprache mit dem behandelnden Arzt nutzen.

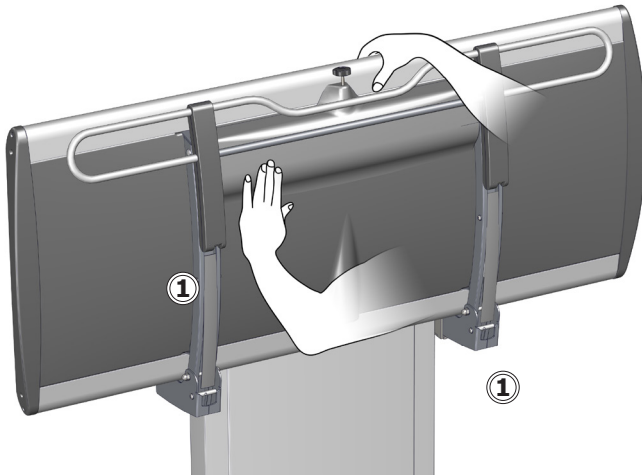
Biologische Beurteilung

Die Materialien, die bei der bestimmungsgemäßen Verwendung mit der Haut des Bedieners in Kontakt kommen, wurden gemäß DIN EN ISO 10993-1:2021 „Biologische Beurteilung von Medizinprodukten - Teil 1“ auf Schadstoffe untersucht und sind nachweislich für die vorgesehene Verwendung geeignet.



Die Oberfläche des Produkts kann sich stark erhitzen bzw. abkühlen, wenn sie externen Wärme- bzw. Kältequellen ausgesetzt ist (z. B. Sonne oder Frost).

Bedienungsanleitung



Stützen Sie die Duschliege beim Hoch- und Herunterklappen mit der Hand oder dem Körper ab, um Beschädigungen zu vermeiden.

Die eingebauten Gasdruckzylinder erleichtern nach dem Gebrauch das Hochklappen der Liege an die Wand.



Gehen Sie in der Nähe schließender mechanischer Teile ① vorsichtig vor, da hier die Gefahr von Verletzungen der Hände besteht.

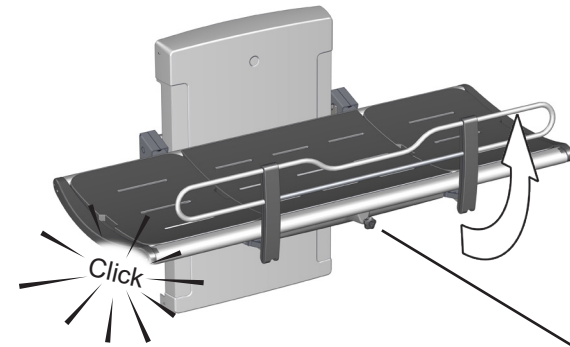
de

 **VORSICHT**

Gehen Sie immer vorsichtig vor, wenn Sie eine Person auf die Liege und von der Liege heben.

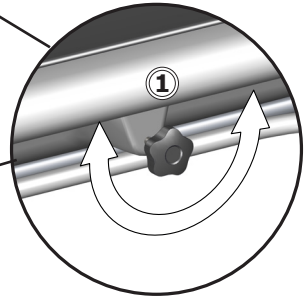
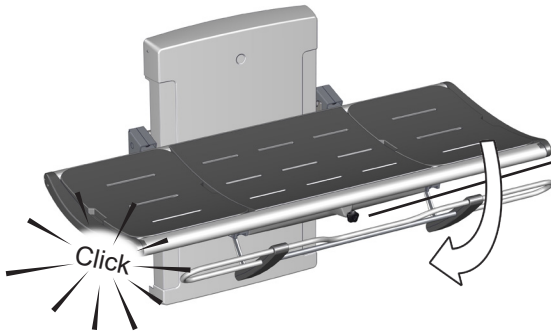
HINWEIS

Jeder schwerwiegende Vorfall, der im Zusammenhang mit dem Produkt aufgetreten ist, muss dem Hersteller und den Gesundheitsbehörden gemeldet werden.



Hochklappen des Seitengitters:

Drehen Sie den Verriegelungsknopf ① in eine beliebige Richtung, um das Seitengitter zu lösen. Klappen Sie das Seitengitter nach oben. Ein Klickgeräusch zeigt an, dass das Gitter eingerastet ist.

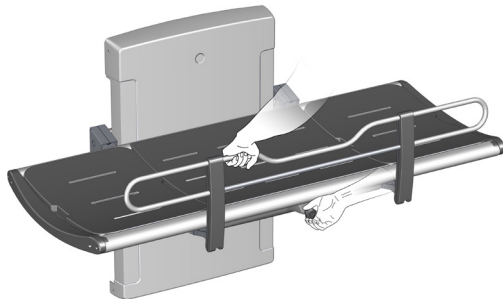


Herunterklappen des Seitengitters:

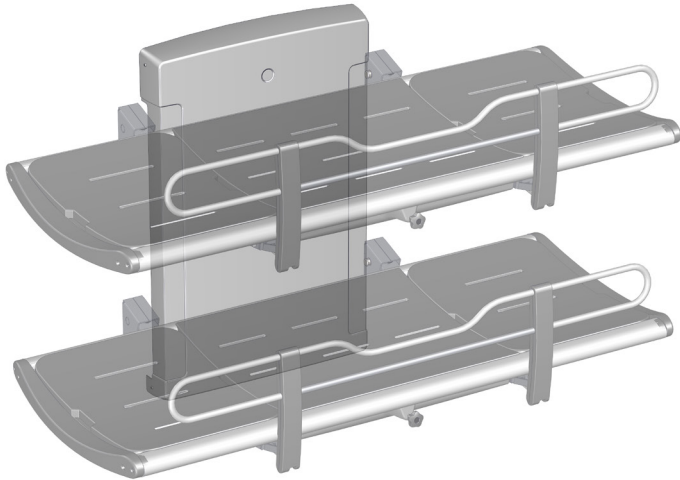
Drehen Sie den Verriegelungsknopf ① in eine beliebige Richtung, um das Seitengitter zu lösen. Klappen Sie das Seitengitter nach unten. Ein Klickgeräusch zeigt an, dass das Gitter eingerastet ist.

HINWEIS

Wenn sich die Verriegelung beim Drehen des Knopfes nicht löst, heben Sie das Gitter leicht an, damit weniger Gewicht auf dem Verriegelungsmechanismus lastet. Nun kann die Verriegelung gelöst werden.



Höhenverstellung



Wenn die Duschielie in der richtigen Höhe angebracht wurde (empfohlene Einbauhöhe: 868 mm über dem Boden), kann sie im Bereich von 300 bis 1000 mm über dem Boden in der Höhe verstellt werden.

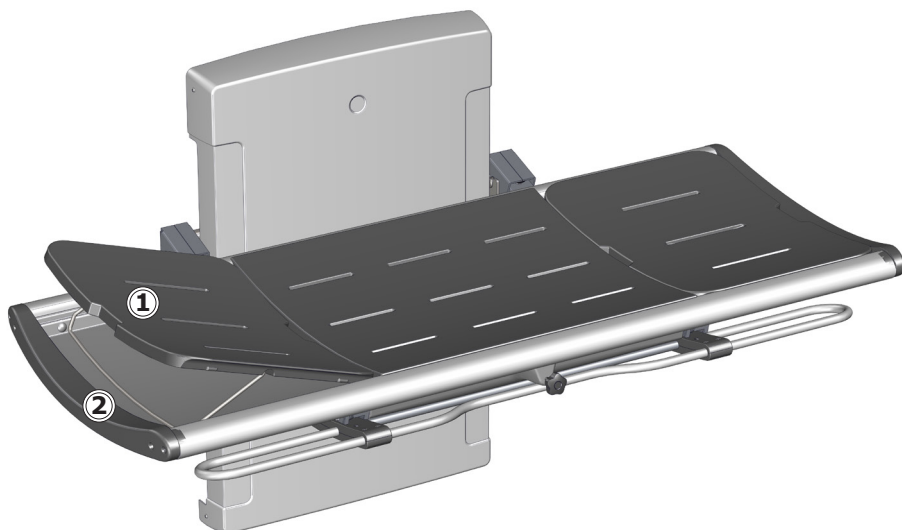
Die Höhenverstellung erfolgt über die kabelgebundene Fernbedienung.

Halten Sie zum Hochfahren der Liege die Taste „Auf“ und zum Absenken die Taste „Ab“ gedrückt.



Achten Sie beim Verstellen der Höhe darauf, dass sich keine Gegenstände unter der Duschielie befinden.

Kopfstütze



Die Auflage am Rand kann zur Erhöhung des Komforts als Kopfstütze genutzt werden.

Greifen Sie in die Aussparung ①, um das Kopfteil aufzustellen. Klappen Sie den Metallbügel ② nach unten, um die Auflage in der erhöhten Position zu stabilisieren.

Die beiden Auflagen am Rand können miteinander vertauscht und an beiden Enden der Duschielie verwendet werden.

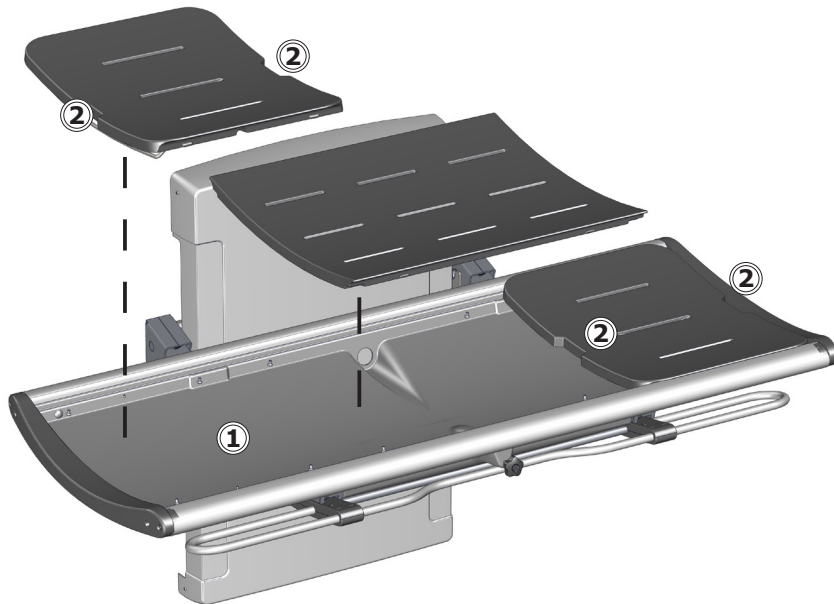


VORSICHT

Lassen Sie **niemals** eine Person ohne Auflagen auf der Duschielie liegen. Das Auffangbecken unter den Auflagen dient nur zum Auffangen des Wassers. Es darf nicht als Badewanne verwendet werden. Anderenfalls besteht Verletzungsgefahr für den Benutzer und die Gefahr von Schäden am Produkt.

Reinigung

Reinigen Sie die Duschliege nach jedem Gebrauch. Verwenden Sie dazu normales Seifenwasser. Spülen Sie danach mit klarem Wasser ab und trocknen Sie mit einem weichen Tuch.



Lassen Sie kein Wasser auf den Auflagen stehen. Nehmen Sie die Auflagen von der Liege und wischen Sie den Wasserauffangbehälter ① trocken. Greifen Sie in die Aussparungen ②, wenn Sie die Auflagen anheben.

Entfernen von Kalkflecken

Entfernen Sie Kalkflecken auf den Aluminiumteilen mit einer Mischung aus 3 Teilen 30%igem Haushaltssessig und 7 Teilen Wasser. Wischen Sie die Aluminiumteile anschließend mit einem mit klarem Wasser befeuchteten, ausgewrungenen Tuch ab.

In Regionen mit relativ hartem Wasser kann es erforderlich sein, Kalkablagerungen mit einem Entkalker wie Essigsäure von den Aluminiumteilen zu entfernen. Testen Sie den Entkalker zunächst an einer Stelle, die bei Gebrauch der Duschliege nicht sichtbar ist.

Das Produkt kann mit heißem Wasser oder einem milden Reinigungsmittel gereinigt werden.

Eine Liste geeigneter Reinigungsmittel, die von Pressalit geprüft wurden, finden Sie unter pressalit.com.

VORSICHT

Lesen Sie immer das Materialsicherheitsdatenblatt und die Gebrauchsanweisung des verwendeten Reinigungsmittels, Desinfektionsmittels oder Entkalkers, und befolgen Sie die Anweisungen zu sicherem Gebrauch, Verdünnung, Abspülen, Trocknen, Handhabung und Lagerung.

WICHTIG

- Verwenden Sie keinen Autoklaven oder eine andere Art von Dampfreiniger.
- Verwenden Sie keine aggressiven, säurehaltigen Reinigungsmittel.
- Richten Sie niemals einen Hochdruckreiniger direkt auf das Produkt.
- Verwenden Sie keine scheuernden, korrosiven oder chlorhaltigen Reinigungs- oder Desinfektionsmittel.

de

Desinfektion

Wenn die Duschielie von mehreren Patienten genutzt wird, muss sie nach jedem Patienten gereinigt und desinfiziert werden, um Infektionen zu vermeiden.

HINWEIS

Wenn das Produkt in einer Umgebung mit hohem Salz- oder Chlorgehalt der Luft installiert wird, verkürzt sich der Garantiezeitraum der Duschielie von 3 Jahren auf 1 Jahr.

Salz und Chlor wirken korrosiv auf die Komponenten des Produkts und verkürzen dadurch dessen Lebensdauer. Die schädliche Wirkung kann jedoch verringert werden, wenn das Gerät täglich mit Leitungswasser abgespült wird.

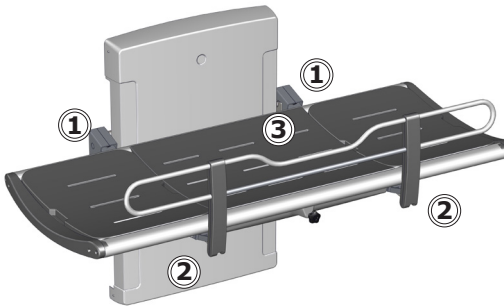
Wartung

Die erwartete Nutzungsdauer der Duschielie beträgt 10 Jahre bei professioneller Verwendung, wenn sie wie nachstehend beschrieben gewartet wird:

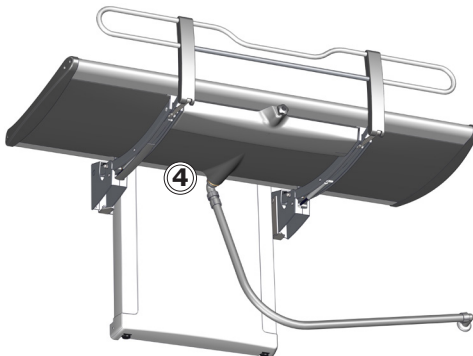
Es wird empfohlen, die Motoren einmal pro Woche in die Extrempositionen zu bringen, damit die internen Bauteile geschmiert werden. Hierzu das Produkt auf die maximale Höhe hochfahren und dann auf die niedrigste Höhe herunterfahren.

Es wird empfohlen, einmal im Jahr eine Wartungsinspektion durchzuführen.

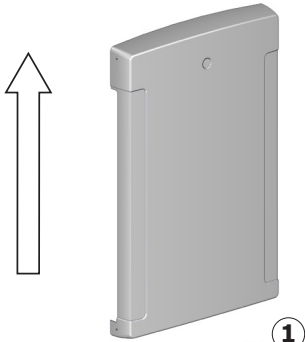
Wartungsinspektion



- Überprüfen Sie die Scharniere ① an der Duschielie und am Seitengitter ②. Ziehen Sie sie bei Bedarf fest.

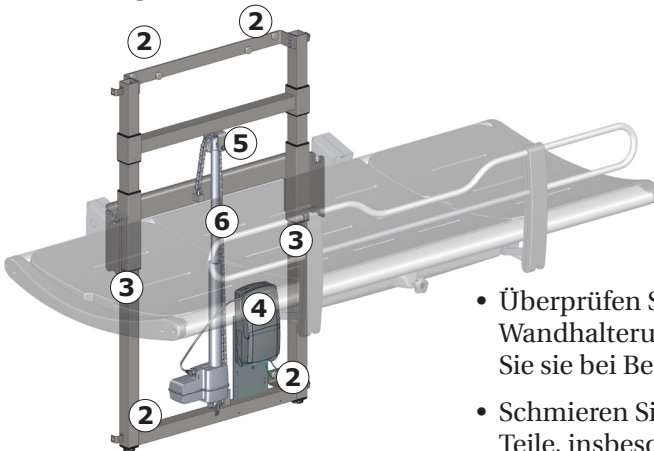
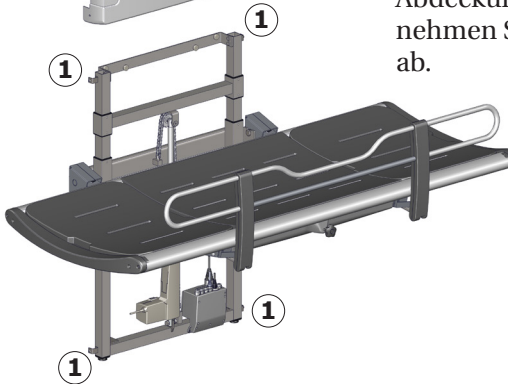


- Überprüfen Sie die Auflagen ③ auf Schäden und ersetzen Sie sie, falls erforderlich.
- Überprüfen Sie die Anschlüsse des Ablaufs ④, und überprüfen und reinigen Sie den Geruchsverschluss (sofern die Liege damit ausgestattet ist).



Ziehen Sie den Netzstecker, bevor Sie die Abdeckungen abnehmen.

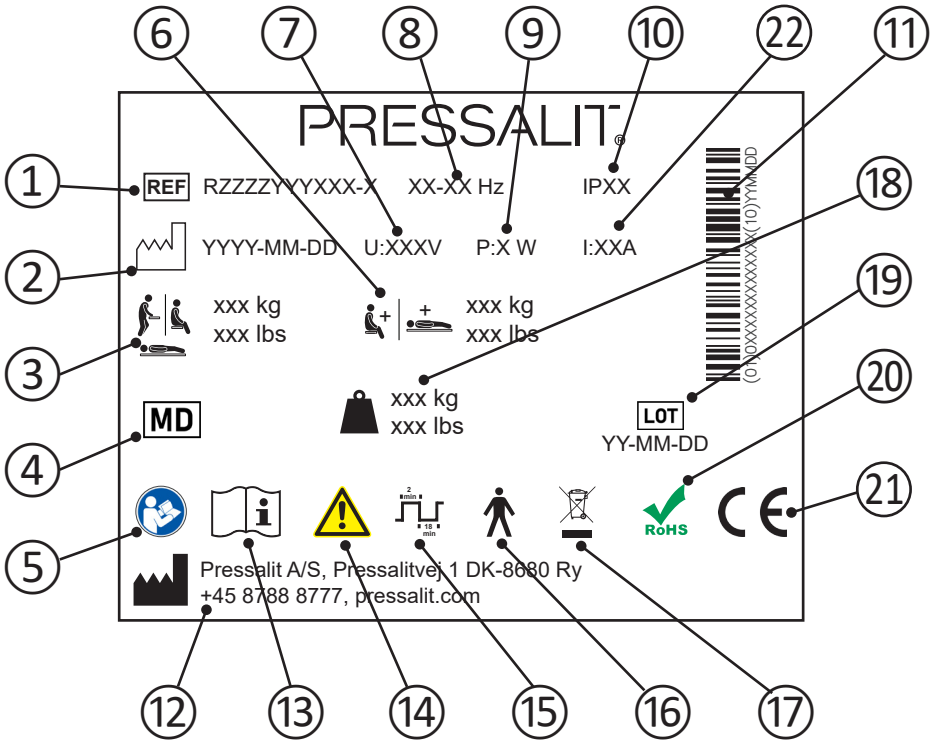
Entfernen Sie die oberen und unteren Befestigungsschrauben ① an der Abdeckung der Hubeinheit, und nehmen Sie die Abdeckung vorsichtig ab.



- Überprüfen Sie die Wandhalterungen ② und ziehen Sie sie bei Bedarf fest.
- Schmieren Sie bewegliche Teile, insbesondere die Gleithalterungen ③.

- Überprüfen Sie alle elektrischen Verbindungen zum Schaltkasten ④.
- Überprüfen Sie das Kettenrad ⑤ auf Verschleiß.
- Schmieren Sie die Kette ⑥.
- Bringen Sie die Abdeckung der Hubeinheit wieder an und ziehen Sie die Schrauben fest.

Typenschild



- ① Artikelnummer

- ② Herstellungsdatum

- ③ Maximales Gewicht des Anwenders

- ④ Medizinprodukt

- ⑤ Gebrauchsanweisung beachten.

- ⑥ Maximale Belastbarkeit

- ⑦ Netzspannung

- ⑧ Frequenz

- ⑨ Maximale Leistungsaufnahme

⑩ IP-Klasse

⑪ GS1-128-Barcode

⑫ Name und Anschrift des Herstellers

⑬ Gebrauchsanweisung beachten.

⑭ Wichtige Sicherheitshinweise und Vorsichtsmaßnahmen in der Gebrauchsanweisung beachten.

⑮ Betriebszyklus

⑯ Teil mit Patientenkontakt, Typ B. Ein Teil des Produkts kommt bei normalem Gebrauch notwendigerweise in physischen Kontakt mit dem Patienten, um seine vorgesehene Funktion zu erfüllen. Das Gerät entspricht den Anforderungen der IEC 60601-1 zum Schutz vor elektrischem Schlag.

⑰ Nicht als Hausmüll entsorgen. Das Produkt muss separat entsorgt und der entsprechenden Wiederverwertung zugeführt werden.

⑱ Gewichtangabe

⑲ Chargennummer

⑳ Dieses Produkt enthält keinen der in der Richtlinie 2011/65/EG des Rates zu RoHS genannten Gefahrstoffe.

Diese Produkte sind CE-gekennzeichnet gemäß den einschlägigen Anforderungen in:

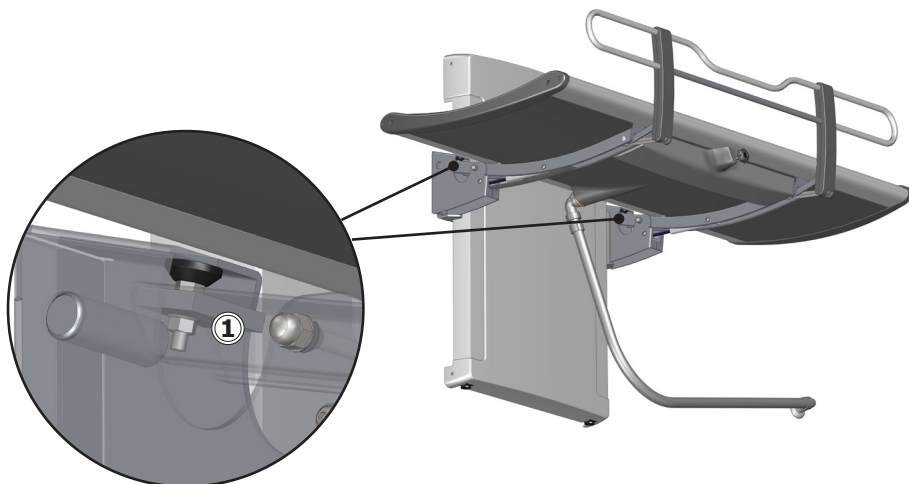
- ⑳
- Verordnung (EU) 2017/745 (5 April 2017) über Medizinprodukte.
 - Der Maschinenrichtlinie 2006/42/EG (17 Mai 2006).
 - Der RoHS-Richtlinie 2011/65/EG (8 Juni 2011).

Eine Konformitätserklärung kann unter pressalit.com eingesehen werden.

㉑ Elektrischer Strom

Fehlerbehebung

Problem	Ursache	Abhilfe
Die Duschliege bleibt nicht in der hochgeklappten Position.	Mindestens einer der Gasdruckzylinder ist defekt.	Wenden Sie sich an Pressalit A/S oder Ihren Händler vor Ort.
Die Liege lässt sich nicht bewegen, obwohl die Fernbedienung korrekt bedient wird.	Defekt in der Stromversorgung.	Überprüfen Sie, ob alle Kabel und Stecker intakt und richtig angeschlossen sind. Wenden Sie sich an Pressalit A/S oder Ihren Händler vor Ort.
Das Wasser läuft nicht aus dem Auffangbecken ab.	Die Justierschrauben sind zu hoch oder zu niedrig eingestellt.	Verstellen Sie die Justierschrauben ①.
Die Duschliege ruckelt bei der Auf- und Abwärtsbewegung.	Die Gleithalterungen sind nicht richtig geschmiert.	Schmieren Sie die Gleithalterungen wie unter „Wartung“ beschrieben.



de

Falls sich das Problem nicht beheben lässt, wenden Sie sich an Pressalit A/S oder Ihren Händler. Versuchen Sie nicht, das Produkt selbst zu reparieren, da hierdurch die Garantie erlischt.

Elektromagnetische Verträglichkeit

Das Gerät ist für die Verwendung zu Hause, in Kindertagesstätten, in Tagesstätten für Menschen mit körperlichen oder geistigen Behinderungen oder in Krankenhäusern geeignet, nicht aber in der Nähe aktiver chirurgischer HF-Geräte und HF-abgeschirmter Räume mit medizinischen Systemen für die Magnetresonanztomografie mit hoher elektromagnetischer Störintensität.


Das Gerät hat keine Funktion zur Überprüfung der grundlegenden Sicherheit oder Leistung. Im Falle einer Beeinträchtigung der Leistung aufgrund elektromagnetischer Störungen kann der Patient dennoch auf das bzw. von dem Gerät gehoben werden.

Kabel	Länge
Stromkabel	3,2 m
Spiralkabel Fernbedienung	bis zu ca. 5 m



- Die Verwendung von Zubehör, Messwandlern und Kabeln, die nicht vom Hersteller empfohlen oder bereitgestellt wurden, kann zu erhöhten elektromagnetischen Emissionen oder einer verringerten elektromagnetischen Störfestigkeit dieses Geräts führen und Fehlfunktionen zur Folge haben.
- Tragbare HF-Kommunikationsgeräte (einschließlich Peripheriegeräte wie Antennenkabel und externe Antennen) müssen in einem Abstand von mindestens 30 cm zum Gerät (auch zu den Kabeln) verwendet werden, damit das Gerät nicht in seiner Leistung beeinträchtigt wird.
- Die Verwendung dieses Geräts neben oder auf anderen Geräten ist nicht zulässig, da dies der bestimmungsgemäßen Verwendung widerspricht. Ist eine solche Verwendung dennoch erforderlich, muss die ordnungsgemäße Funktion aller involvierten Geräte sorgfältig überwacht werden.

Elektromagnetische Störfestigkeit

Elektrostatische Entladung	
	Elektrische Entladungen zwischen Mensch und Produkt dürfen das Gerät nicht in einer Weise beeinflussen, dass Aktionen ausgelöst werden oder Produktkomponenten Schaden nehmen.
Teststandard	Prüfung der Störfestigkeit
EN 61000-4-2	+/- 8 kV (Kontakt) +/- 2, 4, 8, 15 kV (Luft)

Elektromagnetisches HF-Strahlungsfeld	
	Das Produkt darf nicht durch ausstrahlende HF-Signale beeinflusst werden. Dazu zählen u. a. Signale von Mobiltelefonen oder Radios, die bestimmte Aktionen auslösen oder Schäden an bestimmten Produktkomponenten verursachen würden.
Teststandard	Prüfung der Störfestigkeit
EN 61000-4-3	15 V/m 80 MHz bis 1000 MHz (nur Vorderseite) 15 V/m 1,01 GHz bis 3 GHz 80 % AM 1 kHz

Störfestigkeit gegenüber HF-Feldern von in der Nähe befindlichen drahtlosen Kommunikationsgeräten



Das Produkt darf nicht durch ausstrahlende HF-Signale beeinflusst werden. Dazu zählen u. a. Signale von Mobiltelefonen oder Radios, die bestimmte Aktionen auslösen oder Schäden an bestimmten Produktkomponenten verursachen würden.

Test-standard

Prüfung der Störfestigkeit

EN 61000-4-3*	385 MHz, 27 V/m, 18 Hz PM (50 % Betriebszyklus, Rechteckwelle) 450 MHz, 28 V/m, FM +/- 5 kHz Abweichung, 1 kHz Sinus 710 MHz, 9 V/m, 217 Hz PM (50 % Betriebszyklus, Rechteckwelle) 745 MHz, 9 V/m, 217 Hz PM (50 % Betriebszyklus, Rechteckwelle) 780 MHz, 9 V/m, 217 Hz PM (50 % Betriebszyklus, Rechteckwelle) 810 MHz, 28 V/m, 18 Hz PM (50 % Betriebszyklus, Rechteckwelle) 870 MHz, 28 V/m, 18 Hz PM (50 % Betriebszyklus, Rechteckwelle) 930 MHz, 28 V/m, 18 Hz PM (50 % Betriebszyklus, Rechteckwelle) 1720 MHz, 28 V/m, 217 Hz PM (50 % Betriebszyklus, Rechteckwelle) 1845 MHz, 28 V/m, 217 Hz PM (50 % Betriebszyklus, Rechteckwelle) 1970 MHz, 28 V/m, 217 Hz PM (50 % Betriebszyklus, Rechteckwelle) 2450 MHz, 28 V/m, 217 Hz PM (50 % Betriebszyklus, Rechteckwelle) 5240 MHz, 9 V/m, 217 Hz PM (50 % Betriebszyklus, Rechteckwelle) 5500 MHz, 9 V/m, 217 Hz PM (50 % Betriebszyklus, Rechteckwelle) 5785 MHz, 9 V/m, 217 Hz PM (50 % Betriebszyklus, Rechteckwelle)
---------------	--

de

Schnelle transiente elektrische Störgrößen/Bursts




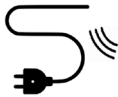
Das Produkt darf nicht durch schnelle Impulssignale über das Kabel beeinträchtigt werden. Dadurch könnten die Komponenten Schaden nehmen oder das Produkt Aktionen auslösen.

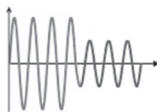
Test-standard

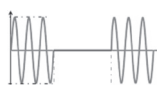
Prüfung der Störfestigkeit

EN 61000-4-4	+/- 1 kV, +/- 2 kV 100 kHz Wiederholrate
--------------	---


Überspannungsfestigkeit	
	Das Produkt darf nicht in einer Weise beeinflusst werden, dass durch einen Stromschlag Aktionen ausgelöst werden oder Produktkomponenten Schaden nehmen.
Test-standard	Prüfung der Störfestigkeit
EN 61000-4-5	Leitung-zu-Leitung: +/- 0,5 kV, +/- 1 kV Leitung-zu-Erde: +/- 0,5 kV, +/- 1 kV, +/- 2 kV


Störfestigkeit gegenüber durch HF-Felder induzierte geleitete Störgrößen	
	Die Kabel dürfen nicht durch andere HF-Felder insofern beeinflusst werden, dass Aktionen ausgelöst werden oder Produktkomponenten Schaden nehmen.
Test-standard	Prüfung der Störfestigkeit
EN 61000-4-6	3 V (6 V in ISM-Bändern und Amateurfunkbereichen) 0,15 bis 80 MHz, 80 % AM bei 1 kHz


Spannungsabfall	
	Das Produkt darf bei einem Spannungsabfall keine Aktionen auslösen oder einschränken.
Test-standard	Prüfung der Störfestigkeit
EN 61000-4-11	0 % U _T ; 0,5 Zyklen bei 0°, 45°, 90°, 135°, 180°, 225°, 270° und 315°; 0 % U _T ; 1 Zyklus bei 0°; 70 % U _T ; 25 Zyklen bei 0° Einquadrant bei 0°


Spannungsunterbrechungen	
	Das Produkt darf bei einer kurzen Spannungsunterbrechung keine Aktionen auslösen oder einschränken.
Test-standard	Prüfung der Störfestigkeit
EN 61000-4-11	0 % U _T ; 300 Zyklen

Elektromagnetische Emissionen

Leitfähige HF-Emissionen	
	Das Produkt darf keine übermäßigen Störsignale in das Netz einbringen. Dies könnte zu Störungen anderer Produkte führen.
Teststandard	Klasse und Gruppe der Emissionskontrolle
EN 55011	Klasse B, Gruppe 1

Ausstrahlende HF-Emissionen	
	Das Produkt darf keine HF-Signale in den Raum abgeben. Dies könnte zu Störungen anderer Produkte führen.
Teststandard	Klasse und Gruppe der Emissionskontrolle
EN 55011	Klasse B, Gruppe 1

Emissionen von Oberschwingungsstrom	
	Das Produkt darf nicht unkontrolliert Strom aus dem Netz beziehen.
Teststandard	Klasse und Gruppe der Emissionskontrolle
IEC 61000-3-2	Klasse A

Spannungsänderungen, Spannungsschwankungen und Flackern	
	Das Produkt darf andere Produkte nicht beeinträchtigen, wenn es an das Stromnetz angeschlossen ist. Dazu zählen u. a. Lampen, die durch Flackern die Personen im Raum stören könnten.
Teststandard	Klasse und Gruppe der Emissionskontrolle
EN 61000-3-3	Standardgemäß geprüft.

de

Entsorgung und Wiederverwertung

Das Produkt enthält wiederverwertbare Materialien. Die Entsorgung des Produkts ist mit keinen bekannten Gefahren oder Risiken verbunden. Alle Komponenten können entsorgt werden, nachdem sie gereinigt und desinfiziert wurden.

Wir empfehlen, das Produkt zur Entsorgung zu zerlegen und in die verschiedenen Abfallfraktionen für die Wiederverwertung oder Verbrennung zu trennen.

Die folgende Tabelle enthält weitere Angaben zur Wiederverwertung und Entsorgung des Produkts.

Wiederwertbare Komponenten	Material
Aluminium	Aluminium ist theoretisch zu 100 % ohne Verlust seiner normalen Eigenschaften wiederverwertbar. Dazu wird nur 5 % der Energie benötigt, die zur Herstellung von Primäraluminium aufgewendet werden muss. Die Qualität von recyceltem Aluminium ist so hoch, dass es mehrmals wiederverwendet werden kann. Dies gilt selbst für anodisierte Produkte, da die anodisierte Schicht normaler Bestandteil des Aluminiums ist.
Stahl	Stahl kann durch Einschmelzen wiederverwertet werden und als Sekundärmaterial in die Produktion von Neustahl einfließen.
PVC und Polystyrol	Hart-PVC wird zu Granulat zerkleinert und eingeschmolzen. Nutzen Sie die örtlich verfügbaren Trenn- und Recyclingsysteme. Ansonsten hat die Verbrennung von Kunststoff den zusätzlichen Vorteil, dass dabei Energie erzeugt wird, die beispielsweise für die kombinierte Erzeugung von Wärme und Strom genutzt werden kann.
Polyurethan	Wie andere Kunststoffe kann auch Polyurethan hauptsächlich auf zwei Arten wiederverwertet werden: durch mechanisches Recycling, bei dem das Material in seiner Polymerform wiederverwendet wird, und durch chemisches Recycling, bei dem das Material in seine verschiedenen chemischen Bestandteile zerlegt wird.
Elektronik	Die elektronischen Komponenten müssen separat entsorgt und der entsprechenden Wiederverwertung zugeführt werden.

de

Sommaire

Notice de montage	72
Signalétique opérationnelle	72
Symboles utilisés dans ce manuel	73
Mesures de sécurité générales	74
Usage prévu	75
Profil d'opérateur prévu	75
Profil d'utilisateur prévu	75
Environnement d'exploitation	75
Contre-indications liées à l'utilisation	75
Biocompatibilité	75
Mode d'emploi	76
Réglage en hauteur	78
Appuie-tête	79
Nettoyage	80
Enlever le tartre	80
Désinfection	81
Entretien	82
Contrôle de maintenance	82
Étiquette du produit	84
Dépannage	86
Compatibilité électromagnétique	87
Immunité électromagnétique	88
Émission électromagnétique	91
Mise au rebut et recyclage	92

fr

Notice de montage



Une notice de montage est incluse avec le produit. Elle est également téléchargeable sur le site pressalit.com.
















Signalétique opérationnelle



Une signalétique opérationnelle est incluse avec le produit. Elle est également téléchargeable sur le site pressalit.com.

Symboles utilisés dans ce manuel

Les symboles qui suivent sont utilisés dans ce manuel ainsi que dans la documentation associée fournis avec le produit.

	<p>AVERTISSEMENT indique une situation potentiellement dangereuse susceptible d'entraîner la mort ou de graves blessures si elle n'est pas évitée.</p>		
	<p>ATTENTION indique une situation potentiellement dangereuse susceptible d'entraîner des blessures légères ou modérées si elle n'est pas évitée. Il peut également être utilisé pour alerter contre des pratiques dangereuses.</p>		
	<p>IMPORTANT indique des informations importantes sur la manipulation et l'utilisation du produit.</p>		
	<p>REMARQUE est utilisé pour aborder des pratiques non associées à la sécurité personnelle.</p>		
 <p>Avertissement de risque de blessure à la main</p>	 <p>Avertissement de risque de blessure de la tête</p>	 <p>Avertissement relatif à l'électricité / la tension</p>	 <p>Autre avertissement spécifique</p>
 <p>Produits compatibles</p>	 <p>Pièces de rechange</p>	 <p>Caractéristiques électriques</p>	 <p>Symboles relatifs à la CEM</p>
 <p>Poids du produit</p>	 <p>Poids maximal de l'utilisateur</p>	 <p>Numéro d'article / versions</p>	 <p>Ne pas laisser le patient sans surveillance</p>

Mesures de sécurité générales



AVERTISSEMENT

- Il est nécessaire de lire et de comprendre le manuel dans son intégralité avant d'utiliser le produit. Conserver le manuel près de l'unité.
- Respecter les instructions de ce manuel pour éviter tout accident impliquant de graves blessures corporelles.
- Ne jamais utiliser ou manipuler ce produit d'une autre manière que celle spécifiée dans ce manuel, car cela risquerait de mettre en danger votre sécurité et d'endommager le produit.
- Veiller à ce que toute personne devant installer ou utiliser le produit et ses systèmes dispose des informations nécessaires et puisse accéder à ce manuel.



ATTENTION

- Respecter ces instructions pour éviter d'endommager ou de détruire le produit.
- Ne pas procéder à des réparations, démontages, montages, extensions, réajustements ou modifications de ce produit. Ces opérations doivent être réalisées uniquement par Pressalit ou des personnes autorisées par Pressalit.
- Ne jamais permettre à des enfants d'utiliser ce produit, sauf sous surveillance. Le produit n'est pas destiné au jeu.
- Ne jamais utiliser le produit s'il est défectueux ou endommagé. Ne pas utiliser un produit défectueux avant de l'avoir fait réparer.

REMARQUE

- Les informations contenues dans ce manuel reposent sur une installation correcte du produit selon la notice de montage.
- Pressalit ne saurait être tenu responsable en cas d'utilisation du produit autre que celle décrite dans le manuel.
- Nous nous réservons le droit de modifier ce manuel sans préavis.

Usage prévu

Ce produit est conçu pour laver/changer une personne qui n'est pas en mesure de tenir debout ou de s'asseoir. La personne est allongée horizontalement sur la table de douche.

Profil d'opérateur prévu

Le produit est destiné à être utilisé par une personne formée aux soins de santé et/ou formée pour laver/changer des personnes qui lui sont confiées.

Profil d'utilisateur prévu

Le produit peut être utilisé par toute personne - adulte, enfant, adolescent, personne âgée - dont le poids ne dépasse pas la **charge maximale de 200 kg**.

Environnement d'exploitation

Pour un usage en intérieur dans un environnement humide tel qu'une salle de bain. Le produit est prévu pour être utilisé à température ambiante dans des logements privés, services hospitaliers de long séjour et hôpitaux, dans des conditions de fonctionnement normales.

Contre-indications liées à l'utilisation

L'utilisation de l'unité n'est pas recommandée pour les patients perfusés ou disposant d'une pompe à insuline, les patients présentant des maladies inflammatoires de la peau ou les patients fiévreux.

Il est possible d'utiliser l'unité pour les patients souffrant d'insuffisance cardiaque, de maladies cardiovasculaires, de traumatismes cranio-cérébraux, de plaies ouvertes ou disposant de tubulures d'alimentation ou de drainage (par ex. cathéter, tube de drainage) uniquement après avoir consulté le médecin traitant.

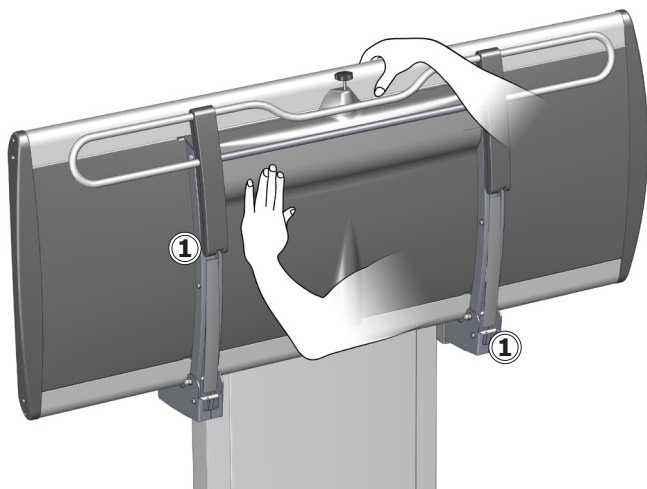
Biocompatibilité

Les matériaux en contact avec la peau du patient au cours de l'usage prévu ont été évalués quant à leur teneur en substances nocives conformément aux procédures de la norme NF EN ISO 10993-1:2021 Évaluation biologique des dispositifs médicaux — Partie 1. Ils sont donc considérés comme adaptés à cette fin.



La surface du produit peut être chaude et/ou froide si elle est exposée à des sources externes de chaleur ou de froid (par exemple, le soleil ou le gel).

Mode d'emploi



Soutenez la table à l'aide de votre main ou de votre corps lorsque vous la pliez ou que vous la dépliez pour éviter tout risque de dommage.

Les compensations à gaz intégrées permettent de replier facilement la table contre le mur après son utilisation.



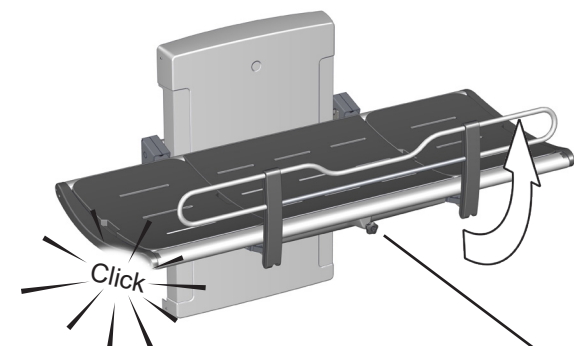
Attention au risque de blessure aux mains à proximité de pièces mécaniques se fermant ①.

ATTENTION

Il est nécessaire de toujours être vigilant lorsque l'on monte et descend une personne de la table.

REMARQUE

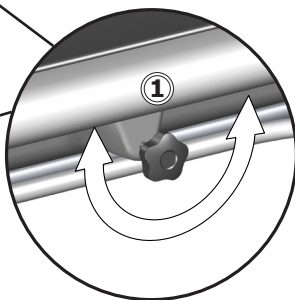
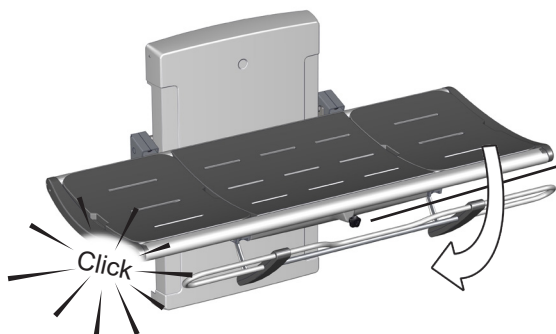
Tout incident survenu en lien avec le produit doit être signalé au fabricant et aux autorités sanitaires.



Pour lever la barrière de lit :

Tournez le bouton de verrouillage ① dans un sens ou dans l'autre pour libérer la barrière de lit.

Soulevez la barrière de lit vers le haut jusqu'à entendre un déclic indiquant que le verrouillage a bien lieu.

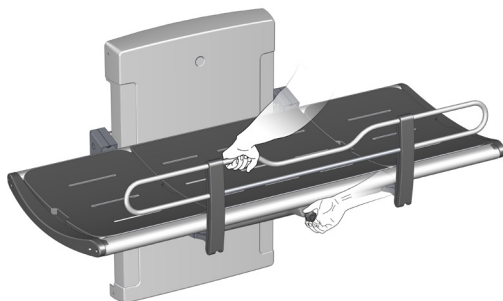


Pour replier la barrière de lit :

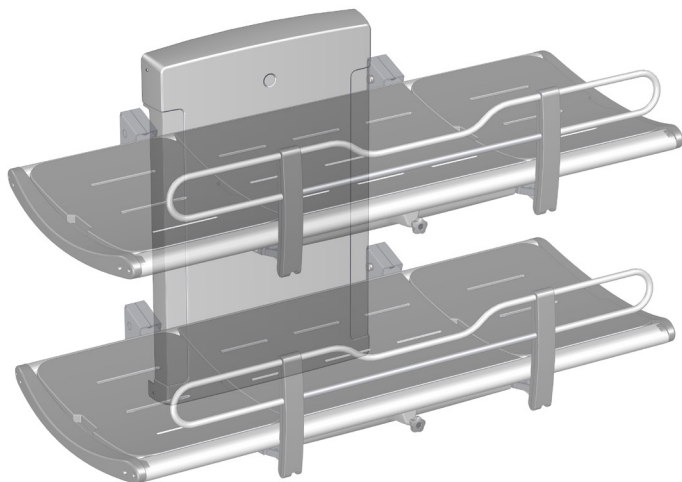
Tournez le bouton de verrouillage ① dans un sens ou dans l'autre pour libérer la barrière de lit. Repoussez la barrière de lit sous la table jusqu'à entendre un déclic indiquant que le verrouillage a bien lieu.

REMARQUE

Si les verrous ne se libèrent pas lorsque vous tournez le bouton de déverrouillage, soulevez doucement la barrière pour soutenir le poids et soulager le mécanisme de verrouillage. Vous pourrez ainsi libérer les verrous.



Réglage en hauteur



Lorsque la table est installée à la bonne hauteur (la hauteur d'installation recommandée est de 868 mm au-dessus du sol), elle peut être réglée entre 300 et 1 000 mm au-dessus du sol.

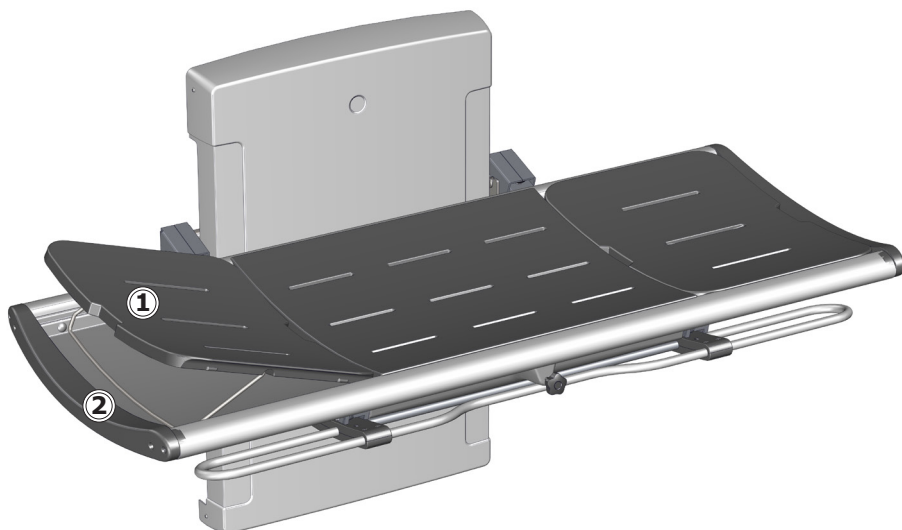
Le réglage de la hauteur s'effectue à l'aide de la télécommande filaire.

Appuyez sur la flèche du haut et maintenez-la enfoncée pour lever la table, et appuyez sur la flèche du bas et maintenez-la enfoncée pour la baisser.



Veillez à ce qu'aucun objet ne soit présent sous la table de douche lors du réglage en hauteur.

Appuie-tête



La tablette d'extrémité peut servir d'appuie-tête pour un confort accru. Utilisez la poignée à encoche ① pour lever la tablette. Rabattez le support métallique ② vers le bas pour maintenir la tablette bien droite.

Les tablettes d'extrémité sont interchangeables et peuvent être placées à n'importe quelle extrémité de la table.

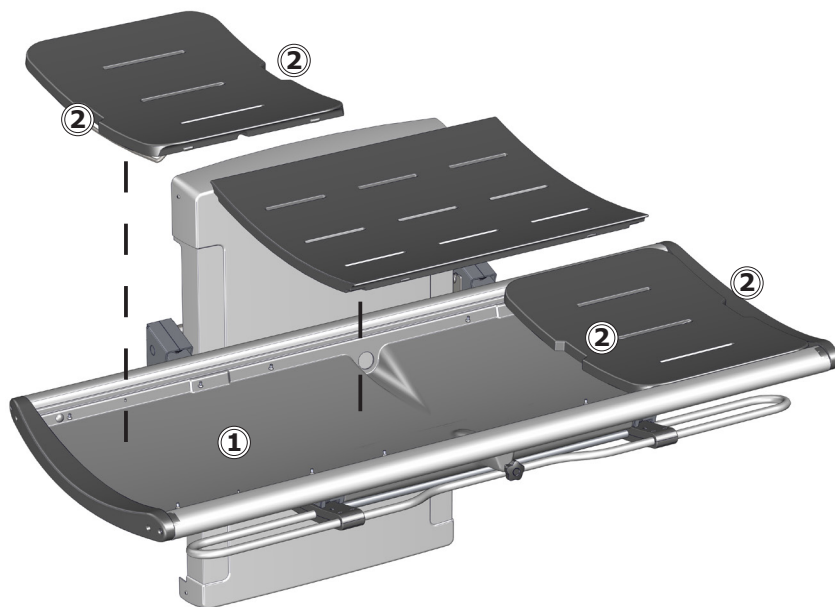


ATTENTION

Ne **jamais** laisser une personne se coucher sur la table de douche si les coussins ne sont pas installés. Le plateau situé sous les coussins est réservé à la collecte de l'eau. Il ne peut pas servir de baignoire. Risque de blessure pour l'utilisateur et d'endommagement du produit.

Nettoyage

Nettoyez la table de douche après chaque utilisation. Utilisez de l'eau et du savon. Rincez à l'eau fraîche et séchez à l'aide d'un chiffon doux.



Ne laissez pas les tablettes tremper dans l'eau. Retirez les tablettes et séchez le bac récupérateur d'eau ①. Utilisez les poignées à encoche ② pour lever les tablettes.

fr

Enlever le tartre

Pour enlever les marques de tartre sur les pièces en aluminium, utilisez 3 parts de vinaigre blanc à 30 % pour 7 parts d'eau, puis essuyez les pièces à l'aide d'un chiffon trempé dans de l'eau claire et essoré.

Dans les pays dont l'alimentation en eau présente des niveaux de tartre relativement élevés, il peut s'avérer nécessaire d'enlever les dépôts de tartre des pièces en aluminium à l'aide d'un agent de détartrage comme l'acide acétique. Faites d'abord un essai sur une zone qui ne se voit pas lorsque la table est utilisée.

Le produit doit être nettoyé à l'aide d'eau chaude ou d'un agent nettoyant légèrement savonneux.

Vous trouverez une liste d'agents de nettoyage testés par Pressalit sur le site pressalit.com.

ATTENTION

Toujours lire les fiches techniques de sécurité du matériel et les notices fournies de l'agent de nettoyage, de désinfection ou de détartrage, et respecter les instructions relatives à l'utilisation sécurisée, la dilution, le rinçage, le séchage, la manipulation et le stockage de l'agent.

IMPORTANT

- Ne pas utiliser d'autoclave ou tout autre type de nettoyeur à vapeur.
- Éviter les agents de nettoyage agressifs contenant des acides.
- Ne jamais asperger le produit directement à l'aide d'un nettoyeur haute pression.
- Éviter d'utiliser des produits de nettoyage ou de désinfection abrasifs, corrosifs ou à base de chlore.

Désinfection

Lors de l'utilisation de la table de douche pour différents patients, il est nécessaire de la nettoyer et de la désinfecter entre les diverses utilisations afin d'éviter tout risque d'infection croisée.

REMARQUE

Si le produit est installé dans un environnement chargé en sel ou en chlore, la garantie de la table de douche sera réduite de 3 ans à 1 an.

Le sel et le chlore ont un effet corrosif sur les composants du produit et diminuent la durée de vie du produit. Cependant, les effets nuisibles peuvent être réduits si le produit est lavé quotidiennement avec de l'eau du robinet.

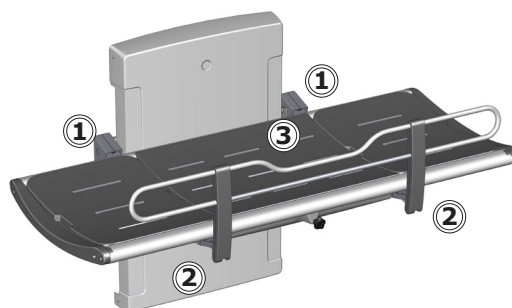
Entretien

La durée de vie prévue de la table de douche est de 10 ans dans le cadre d'un usage institutionnel, à condition que l'entretien soit effectué comme décrit ci-dessous :

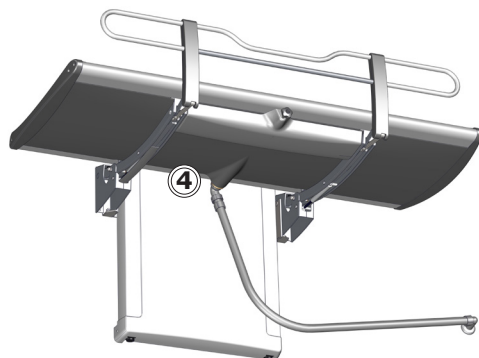
Il est recommandé de faire fonctionner les moteurs du produit à leurs positions maximales de manière hebdomadaire en levant le produit à sa position la plus haute puis en le descendant à sa position la plus basse afin de lubrifier les pièces internes.

Il est recommandé d'effectuer un contrôle de maintenance une fois par an.

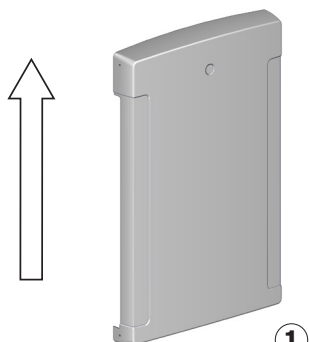
Contrôle de maintenance



- Vérifiez les charnières ① au niveau de la table et de la barrière de lit ②. Serrez-les le cas échéant.

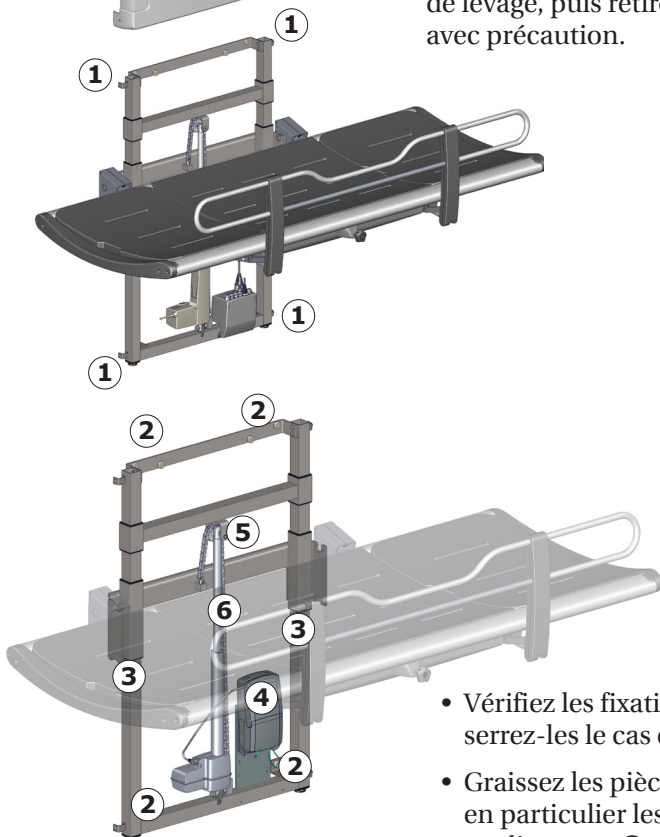


- Vérifiez si les tablettes ③ sont endommagées et remplacez-les le cas échéant.
- Vérifiez les raccords du tuyau d'évacuation ④, puis vérifiez et nettoyez le siphon (si disponible).



**Débranchez
l'alimentation avant de
retirer les couvercles.**

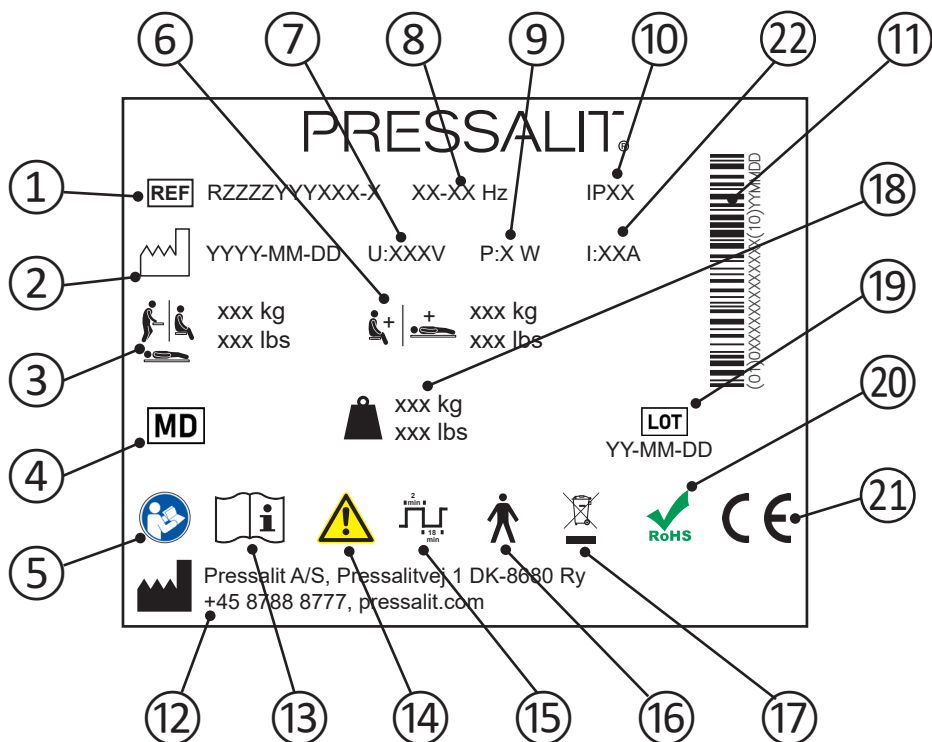
Retirez les vis de fixation supérieure et inférieure ① du couvercle de l'unité de levage, puis retirez le couvercle avec précaution.



fr

- Vérifiez les fixations murales ② et serrez-les le cas échéant.
- Graissez les pièces mobiles, en particulier les traverses coulissantes ③.
- Vérifiez tous les raccords électriques au boîtier de commande ④.
- Vérifiez si la roue à chaîne ⑤ est usée.
- Graissez la chaîne ⑥.
- Remettez le couvercle de l'unité de levage en place et serrez les vis de fixation.

Étiquette du produit



- ① Numéro d'article

- ② Date de fabrication

- ③ Poids maximal de l'utilisateur

- ④ Dispositif médical

- ⑤ Consulter le manuel d'utilisation

- ⑥ Charge maximale

- ⑦ Tension de secteur

- ⑧ Fréquence

- ⑨ Consommation électrique maximum

⑩ Classe IP

⑪ Code-barres GS1-128

⑫ Nom et adresse du fabricant

⑬ Consulter le manuel d'utilisation

⑭ Consulter le manuel pour les mises en garde importantes telles que les avertissements et les précautions

⑮ Cycle de service

⑯ Pièce appliquée de type B. Pièce du produit qui, dans des conditions normales d'utilisation, est obligatoirement en contact avec le patient pour remplir sa fonction. Le produit est conforme aux exigences de protection contre les chocs électriques de la norme CEI 60601-1.

⑰ Ne pas le mettre au rebut sous forme de déchets municipaux non triés. Le produit doit être collecté séparément des autres déchets et renvoyé au service de recyclage désigné.

⑱ Poids du produit

⑲ Code du lot

⑳ Ce produit ne contient aucune des substances dangereuses mentionnées dans la Directive RoHS 2011/65/CE du Conseil.

Ces produits sont marqués CE conformément aux exigences pertinentes de :

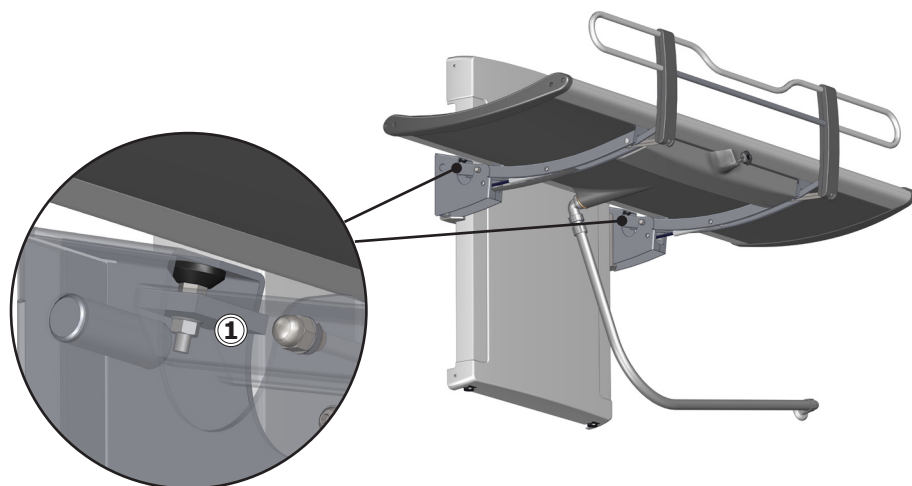
- ⑳
- Règlement (UE) 2017/745 relatif (du 5 avril 2017) aux dispositifs médicaux.
 - La directive 2006/42/CE du Conseil (du 17 mai 2006) sur les mécanismes.
 - La directive 2011/65/UE (du 8 juin 2011) sur RoHS.

Une déclaration de conformité est disponible sur pressalit.com

㉒ Courant électrique

Dépannage

Problème	Cause	Mesure
La table de douche ne reste pas en position verticale.	Une ou plusieurs compensations à gaz sont défectueuses.	Contactez Pressalit A/S ou votre représentant local.
Le produit ne fonctionne pas, bien que la télécommande soit correctement utilisée.	Problème au niveau de l'alimentation électrique.	Vérifiez que tous les câbles et prises sont intacts et correctement raccordés. Contactez Pressalit A/S ou votre représentant local.
L'eau ne sort pas du bac récupérateur d'eau.	Vis de réglage trop hautes ou trop basses.	Réglez les vis de réglage ①.
La table de douche monte et descend de façon irrégulière.	Les traverses coulissantes ne sont pas bien lubrifiées.	Graissez les traverses coulissantes comme décrit à la section « Entretien ».



Contactez Pressalit A/S ou votre représentant si vous ne parvenez pas à résoudre le problème. N'essayez pas de réparer vous-même le produit car cela annulerait la garantie.

Compatibilité électromagnétique

Le dispositif est adapté à une utilisation à domicile, dans les centres de soins et les centres accueillant les personnes souffrant de handicaps physiques ou mentaux et dans les hôpitaux, sauf à proximité d'appareils chirurgicaux à haute fréquence et de salles radio protégées équipées de systèmes médicaux d'imagerie par résonance magnétique provoquant des perturbations électromagnétiques de forte intensité.

Le dispositif ne présente pas de fonction relative à la sécurité de base ou aux performances essentielles. En cas de perte ou de dégradation des performances en lien avec des perturbations électromagnétiques, l'utilisateur peut toujours descendre de la table et monter dessus.


Câble	Longueur
Câble d'alimentation	3,2 m
Câble en spirale pour commande manuelle	Env. 5 m tendu




AVERTISSEMENT


- L'usage d'accessoires, de transducteurs et de câbles autres que ceux spécifiés ou fournis par le fabricant risquent de provoquer une augmentation des émissions électromagnétiques ou une réduction de l'immunité électromagnétique de cet équipement et d'entraîner un fonctionnement inapproprié.
- Les équipements de communication à radiofréquence portables (y compris les périphériques comme les câbles d'antenne et antennes externes) ne doivent pas être utilisés à une distance de moins de 30 cm de toute pièce de l'unité, câbles compris, afin d'éviter tout risque de dégradation des performances de cette unité.
- Il convient d'éviter toute utilisation de cet équipement conjointement ou superposée avec d'autres équipements pouvant provoquer un fonctionnement inadéquat. Si une telle utilisation est inévitable, cet équipement et les équipements utilisés conjointement doivent être inspectés pour vérifier leur fonctionnement normal.

Immunité électromagnétique

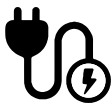
Décharge électrostatique	
	Le produit ne doit être exposé à aucune décharge électrique entre la personne et les matériaux pouvant initier des actions ou rendre les composants défectueux.
Norme de test	Niveau d'essai d'immunité
EN 61000-4-2	+/- 8 kV contact +/- 2, 4, 8, 15 kV air

Champ électromagnétique de radiofréquences par rayonnement	
	Le produit ne doit pas être exposé à des signaux de radiofréquences par rayonnement, comme les signaux émis par les téléphones portables ou les radios, qui peuvent entraîner une action du produit ou rendre certains composants défectueux.
Norme de test	Niveau d'essai d'immunité
EN 61000-4-3	15 V/m 80 MHz à 1 000 MHz (à l'avant uniquement) 15 V/m 1,01 GHz à 3 GHz 80 % AM 1 kHz


Immunité aux champs de proximité des équipements de communication sans fil RF

	<p>Le produit ne doit pas être exposé à des signaux de radiofréquences par rayonnement, comme les signaux émis par les téléphones portables ou les radios, qui peuvent entraîner une action du produit ou rendre certains composants défectueux.</p>
<p>Norme de test</p>	<p>Niveau d'essai d'immunité</p>
<p>EN 61000-4-3*</p>	<p>385 MHz, 27V/m, 18 Hz PM (onde carrée à un cycle de marche de 50 %) 450 MHz, 28V/m, déviation FM +/- 5 kHz, onde sine 1 kHz 710 MHz, 9V/m, 217 Hz PM (onde carrée à un cycle de marche de 50 %) 745 MHz, 9V/m, 217 Hz PM (onde carrée à un cycle de marche de 50 %) 780 MHz, 9V/m, 217 Hz PM (onde carrée à un cycle de marche de 50 %) 810 MHz, 28V/m, 18 Hz PM (onde carrée à un cycle de marche de 50 %) 870 MHz, 28V/m, 18 Hz PM (onde carrée à un cycle de marche de 50 %) 930 MHz, 28V/m, 18 Hz PM (onde carrée à un cycle de marche de 50 %) 1720 MHz, 28V/m, 217 Hz PM (onde carrée à un cycle de marche de 50 %) 1845 MHz, 28V/m, 217 Hz PM (onde carrée à un cycle de marche de 50 %) 1970 MHz, 28V/m, 217 Hz PM (onde carrée à un cycle de marche de 50 %) 2450 MHz, 28V/m, 217 Hz PM (onde carrée à un cycle de marche de 50 %) 5240 MHz, 9V/m, 217 Hz PM (onde carrée à un cycle de marche de 50 %) 5500 MHz, 9V/m, 217 Hz PM (onde carrée à un cycle de marche de 50 %) 5785 MHz, 9V/m, 217 Hz PM (onde carrée à un cycle de marche de 50 %)</p>

Transitoire électrique rapide / rafale

	<p>Le produit ne doit pas être exposé à des impulsions rapides à travers le câble. Cela peut rendre les composants défectueux ou entraîner une action initiée par le produit.</p>
<p>Norme de test</p>	<p>Niveau d'essai d'immunité</p>
<p>EN 61000-4-4</p>	<p>+/- 1 kV, +/- 2 kV Fréquence de répétition 100 kHz</p>

Immunité aux surtensions

	<p>Le produit ne doit pas être exposé au risque d'initier des actions ou de rendre des composants défectueux en conséquence de la foudre.</p>
--	---

Norme de test	Niveau d'essai d'immunité
EN 61000-4-5	Phase-phase : +/- 0,5 kV, +/- 1 kV Phase-terre : +/- 0,5 kV +/- 1 kV, +/- 2 kV

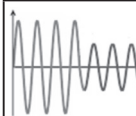
Immunité aux perturbations transmises par conduction et induites par des champs de radiofréquences



Le câblage ne doit pas être exposé à d'autres champs de radiofréquences pouvant initier des actions ou rendre certains composants défectueux.

Norme de test	Niveau d'essai d'immunité
EN 61000-4-6	3 V (6 V pour les bandes ISM et bandes radio amateur) 0,15 à 80 MHz, 80 % AM à 1 kHz

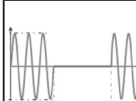
Creux de tension



Le produit ne doit pas pouvoir initier ou limiter des actions en conséquence d'une baisse de l'alimentation électrique.

Norme de test	Niveau d'essai d'immunité
EN 61000-4-11	0 % U_T ; 0,5 cycle à 0°, 45°, 90°, 135°, 180°, 225°, 270° et 315°, 0 % U_T ; 1 cycle à 0°, 70 % U_T ; 25 cycles à 0° Monophasé à 0°


Coups de tension





Le produit ne doit pas pouvoir initier ou limiter des actions en conséquence d'une coupure momentanée de l'alimentation électrique.


Norme de test	Niveau d'essai d'immunité
EN 61000-4-11	0 % U_T ; 300 cycles

Émission électromagnétique

Émission de radiofréquences conduites	
	Le produit ne doit pas introduire trop de bruit dans le réseau, car cela pourrait entraîner des perturbations concernant d'autres produits.
Norme de test	Groupe et classe de test d'émission
EN 55011	Classe B, groupe 1

Émission de radiofréquences par rayonnement	
	Le produit ne doit pas émettre de signaux de radiofréquences dans la pièce. Cela pourrait entraîner une perturbation des autres produits.
Norme de test	Groupe et classe de test d'émission
EN 55011	Classe B, groupe 1

Émissions de courant harmonique	
	Le réseau ne doit pas pouvoir s'alimenter à partir du réseau de manière accidentelle.
Norme de test	Groupe et classe de test d'émission
CEI 61000-3-2	Classe A

Variations et fluctuations de tension et pulsations	
	Le produit ne doit pas affecter d'autres produits lorsqu'il est raccordé au réseau. Il peut s'agir par exemple d'éclairage pouvant vaciller et gêner les personnes présentes dans la pièce.
Norme de test	Groupe et classe de test d'émission
EN 61000-3-3	Testé conformément à la norme.

Mise au rebut et recyclage

L'unité contient des matériaux réutilisables. Il n'y a aucun risque connu associé à la mise au rebut du produit. Tous les composants peuvent être mis au rebut après avoir été nettoyés et désinfectés.

Lors de la mise au rebut du produit, nous recommandons de le démonter et de le décomposer en différents groupes de déchets en vue de leur recyclage ou incinération.

Le tableau suivant fournit des informations sur le recyclage et la manipulation du produit.

Composants recyclables	Matériau
Aluminium	En théorie, l'aluminium est 100 % recyclable, sans aucune perte de ses qualités naturelles. Seuls 5 % de l'énergie utilisée pour produire de l'aluminium primaire sont nécessaires pour l'aluminium recyclé. La qualité de l'aluminium recyclé est tellement élevée qu'il peut sans cesse être réutilisé, même dans le cas de produits anodisés car la couche anodisée est un composant naturel de l'aluminium.
Acier	L'acier peut être recyclé en étant refondu et inclus en tant que matériau secondaire dans la production d'acier nouveau.
PVC et polystyrène	Le PVC dur est granulé et refondu. Utilisez les systèmes de tri et de recyclage du plastique disponibles localement. Sinon, l'incinération du plastique présente l'avantage de générer de l'énergie qui peut être utilisée, par exemple, pour la production combinée de chaleur et d'électricité.
Polyuréthane	Comme les autres plastiques, le polyuréthane peut être recyclé de deux manières principales : le recyclage mécanique dans lequel le matériau est réutilisé dans sa forme polymère, et le recyclage chimique qui redécompose le matériau en ses divers composants chimiques.
Composants électroniques	Les composants électroniques doivent être collectés séparément des autres déchets et renvoyés au service de recyclage désigné.

Inhoud

Montage-instructies	93
Visuele handleiding	93
Symbolen die in deze handleiding	94
Algemene veiligheid	95
Beoogd gebruik	96
Profiel van beoogde bediener	96
Profiel van beoogde gebruiker	96
Gebruiksomgeving	96
Contra-indicaties voor gebruik	96
Biocompatibiliteit	96
Gebruiksaanwijzing	97
Hoogteafstelling	99
Hoofdsteun	100
Reinigen	101
Kalkafzetting verwijderen	101
Desinfecteren	102
Onderhoud	103
Onderhoudsinspectie	103
Productlabel	105
Probleemoplossing	107
Elektromagnetische compatibiliteit	108
Elektromagnetische immuniteit	109
Elektromagnetische emissie	112
Afvoer en recycling	113

Montage-instructies



Er worden montage-instructies met dit product meegeleverd.
U kunt deze ook via pressalit.com downloaden.

Visuele handleiding



Er wordt een visuele handleiding met het product meegeleverd.
U kunt deze ook via pressalit.com downloaden.

Symbolen die in deze handleiding

De volgende symbolen worden gebruikt in deze handleiding en de bijbehorende documentatie die met het product is meegeleverd.

 WAAR-SCHUWING		WAARSCHUWING geeft een mogelijk gevaarlijke situatie aan die, indien niet vermeden, kan leiden tot overlijden of ernstig letsel.	
 LET OP		LET OP geeft een mogelijk gevaarlijke situatie aan die, indien niet vermeden, kan leiden tot licht of matig letsel. 'Let op' kan ook worden gebruikt om de gebruiker te waarschuwen voor onveilige praktijken.	
BELANGRIJK		BELANGRIJK geeft belangrijke informatie aan over het hanteren en gebruiken van het product.	
OPMERKING		OPMERKING wordt gebruikt om praktijken aan te duiden die geen betrekking hebben op de persoonlijke veiligheid.	
 <p>Waarschuwing voor handletsel</p>	 <p>Waarschuwing voor hoofdletsel</p>	 <p>Waarschuwing voor elektriciteit/voltage</p>	 <p>Andere specifieke waarschuwing</p>
 <p>Compatibele producten</p>	 <p>Reserveonderdelen</p>	 <p>Voedings-specificaties</p>	 <p>EMC gerelateerde symbolen</p>
 <p>Gewicht van product</p>	 <p>Max. gewicht gebruiker</p>	 <p>Artikelnummer/-uitvoeringen</p>	 <p>Laat patiënten nooit zonder toezicht achter</p>

ni

Algemene veiligheid



WAARSCHUWING

- Lees de handleiding vóór gebruik volledig door en zorg dat u deze begrijpt. Houd de handleiding in de buurt van de eenheid.
- Houd u aan deze handleiding om ongelukken met ernstig persoonlijk letsel te voorkomen.
- Gebruik of hanteer dit product nooit op een andere manier dan in deze handleiding staat beschreven, omdat dit uw veiligheid in gevaar kan brengen en schade aan het product kan veroorzaken.
- Zorg ervoor dat iedereen die het product en de bijbehorende systemen gaat plaatsen of gebruiken, is voorzien van de benodigde informatie en toegang heeft tot deze handleiding.



LET OP

- Volg deze instructies op om te voorkomen dat het product wordt beschadigd of vernietigd.
- Voer geen reparaties, (de)montagewerkzaamheden, uitbreidingen, afstellingen of aanpassingen uit met betrekking tot dit product. Deze werkzaamheden mogen uitsluitend worden uitgevoerd door Pressalit of door personen die door Pressalit zijn gemachtigd.
- Kinderen mogen nooit zonder toezicht dit product bedienen. Dit product is geen speelgoed.
- Gebruik dit product nooit als het defect of beschadigd is. Gebruik het product niet voordat het is gerepareerd.

OPMERKING

- De informatie in deze handleiding is gebaseerd op een juiste passing van het product conform onze montage-instructies.
- Pressalit is niet aansprakelijk wanneer het product wordt gebruikt op een manier die afwijkt van de in de gids beschreven manier.
- We behouden ons het recht voor deze handleiding aan te passen zonder voorafgaande kennisgeving.

Beoogd gebruik

Dit product is bedoeld voor het douchen/aankleden van een persoon die niet zelf kan staan of zitten. De persoon ligt horizontaal op de douchebrancard.

Profiel van beoogde bediener

Het product dient te worden bediend door een persoon die is opgeleid in de gezondheidszorg en/of het wassen/aankleden van een persoon voor wie zij zorg dragen.

Profiel van beoogde gebruiker

Het product kan door iedereen - volwassenen, kinderen, jongeren, ouderen - met een **maximaal lichaamsgewicht van 200 kg** worden gebruikt.

Gebruiksomgeving

Voor gebruik binnenshuis in een natte omgeving, zoals een badkamer of wasruimte. Het product is bedoeld om bij kamertemperatuur te worden gebruikt, in woningen, verpleeghuizen en ziekenhuizen onder normale bedrijfsomstandigheden.

Contra-indicaties voor gebruik

Het gebruik van het apparaat wordt afgeraden voor patiënten met een infuus- of insulinepomp, met ontstekingsziekten van de huid of met koorts.

Patiënten met hartinsufficiëntie, hart- en vaatziekten, hersenletsel, open wonden, voedingsinfusen of drains (bijv. katheter, drainageslang) mogen pas na overleg met de behandelend arts het apparaat gebruiken.

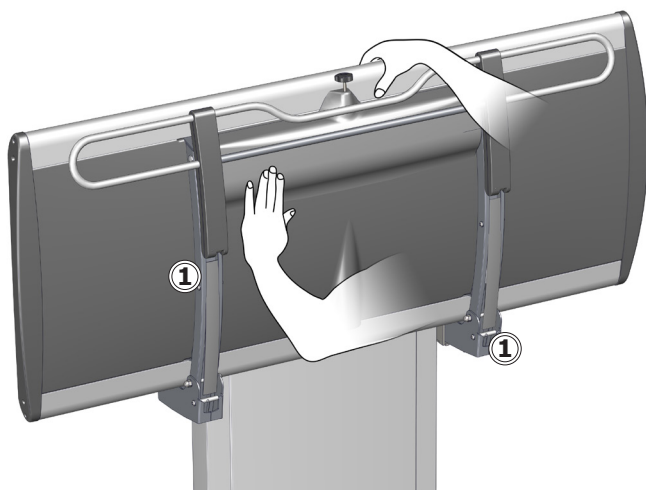
Biocompatibiliteit

De materialen die tijdens het beoogde gebruik in contact komen met de huid van de gebruiker, zijn beoordeeld op hun gehalte aan schadelijke stoffen volgens de procedures in BS EN ISO 10993-1:2020 Biologische evaluatie van medische hulpmiddelen - Deel 1 en worden daarom als geschikt gezien voor dit doel.



Het oppervlak van het product kan heet en/of koud worden als het wordt blootgesteld aan externe warmte- of koudebronnen als zonlicht of vorst.

Gebruiksaanwijzingen



Ondersteun de brancard met uw hand of lichaam wanneer u de brancard omhoog of omlaag klappt om het risico op schade te voorkomen.

De ingebouwde gascilinders zorgen ervoor dat de brancard na gebruik eenvoudig tegen de muur kan worden opgeklapt.



Wees voorzichtig om letsel aan uw handen te voorkomen wanneer u zich in de buurt bevindt van sluitende mechanische onderdelen ①.

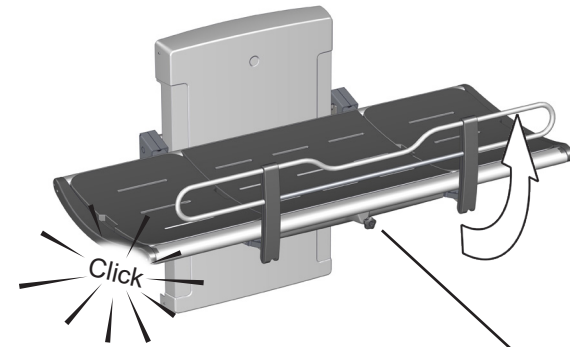


LET OP

Wees altijd voorzichtig wanneer u iemand op de brancard legt en van de brancard afhaalt.

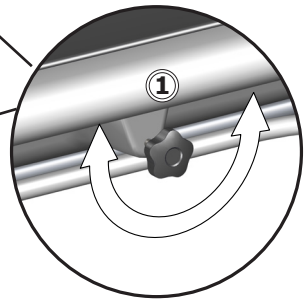
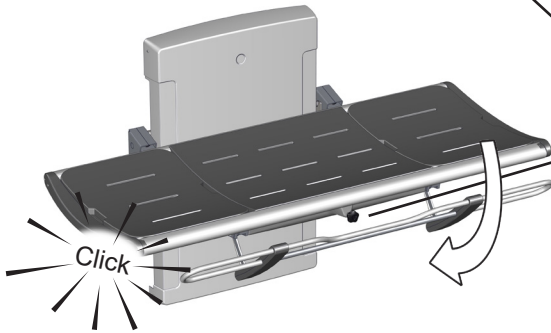
OPMERKING

Ieder serieus incident dat heeft plaats gevonden in relatie tot het product dient te worden gemeld aan de fabrikant en de gezondheidskundige autoriteiten.



Veiligheidshek omhoogtrekken:

Draai aan de vergrendelingsknop ① rechtsom of linksom om het veiligheidshek te ontgrendelen. Til het veiligheidshek omhoog totdat u een klik hoort die aangeeft dat het vergrendeld is.

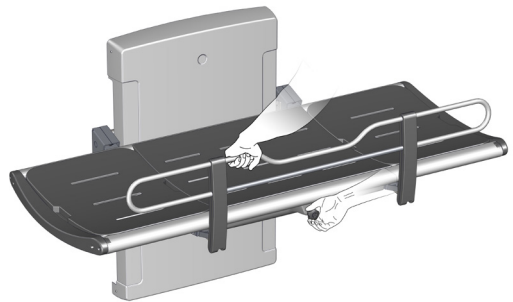


Het veiligheidshek wegklappen:

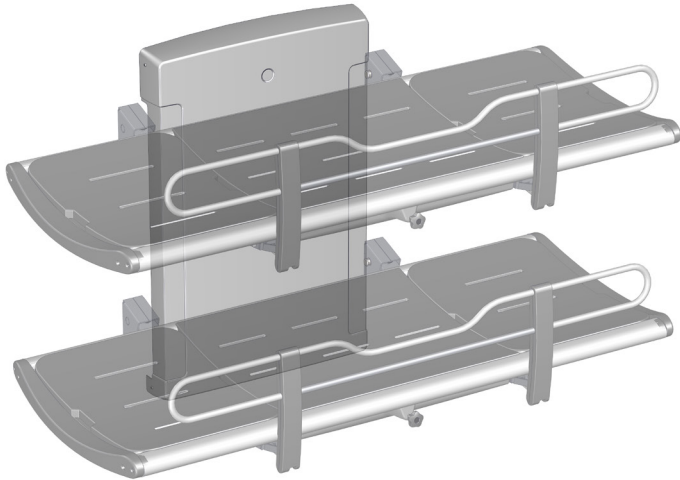
Draai aan de vergrendelingsknop ① rechtsom of linksom om het veiligheidshek te ontgrendelen. Duw het veiligheidshek terug onder de brancard totdat u een klik hoort die aangeeft dat het vergrendeld is.

OPMERKING

Als de vergrendeling niet ontgrendelt wanneer u aan de ontgrendelingsknop draait, tilt u het hek voorzichtig op om het gewicht van het vergrendelingsmechanisme af te halen. Dit zorgt ervoor dat de vergrendelingen worden ontgrendeld.



Hoogteafstelling



Wanneer de brancard op de juiste hoogte is geplaatst (aanbevolen plaatsingshoogte is 868 mm boven de vloer), kan deze tussen 300 mm en 1000 mm boven de vloer worden afgesteld.

De hoogteafstelling kan worden geregeld met de bedrade afstandsbedieningseenheid.

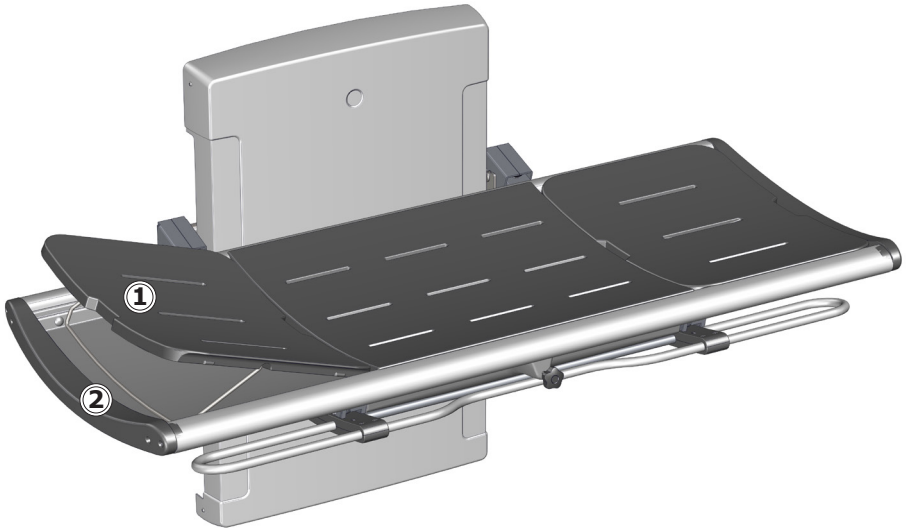
Houd de toets omhoog ingedrukt om de brancard te verhogen en houd de toets omlaag ingedrukt om de brancard te verlagen.



Zorg ervoor dat er zich geen voorwerpen onder de douchebrancard bevinden als de hoogte wordt afgesteld.

nl

Hoofdsteen



De plaat aan het uiteinde kan als hoofdsteen worden gebruikt voor meer comfort.

Gebruik de uitgesneden handgreep ① om de plaat op te tillen. Klap de metalen beugel ② omlaag zodat de plaat in rechtopstaande positie blijft staan.

De platen aan het uiteinde zijn verwisselbaar en kunnen aan beide uiteinden van de brancard worden geplaatst.

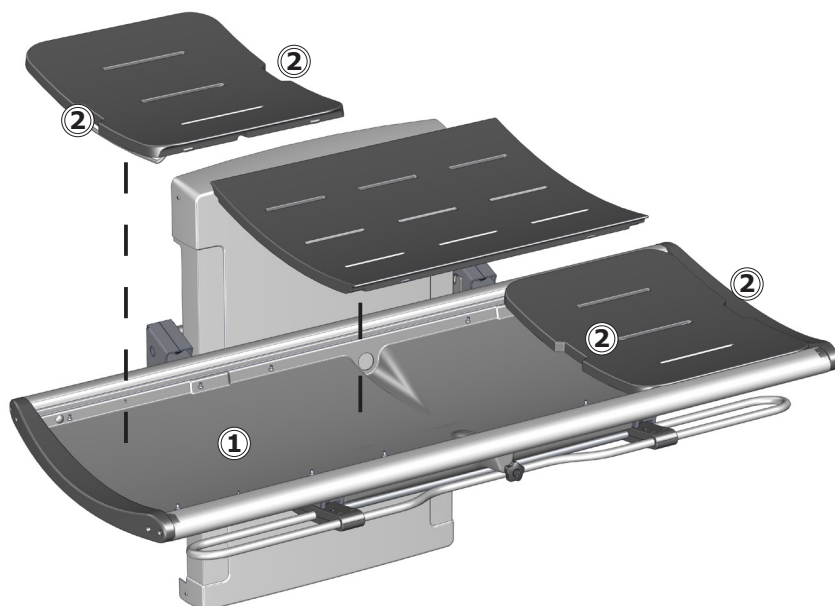


LET OP

Laat **nooit** iemand op de douchebrancard liggen zonder dat de platen goed geplaatst zijn. De bak onder de platen is uitsluitend bedoeld voor wateropvang. Mag niet als badkuip worden gebruikt. Gevaar voor lichamelijk letsel bij de gebruiker en beschadiging van het product.

Reinigen

Reinig de douchebrancard na elk gebruik. Gebruik normaal zeepsop. Spoel af met schoon water en droog met een zachte doek.



Laat de platen niet in water weken. Verwijder de platen en droog de wateropvangbak ①. Gebruik de uitgesneden handgrepen ② wanneer u de platen optilt.

Kalkafzetting verwijderen

Gebruik 3 delen schoonmaakazijn (30%) en 7 delen water om kalkafzetting op de aluminium delen te verwijderen en veeg de onderdelen daarna af met een doek die in schoon water is uitgewrongen.

In landen met relatief hard water kan het nodig zijn om kalkafzettingen van aluminium onderdelen te verwijderen met een ontkalkingsmiddel, zoals azijnzuur. Test dit product eerst op een gedeelte dat niet zichtbaar is wanneer de brancard in gebruik is.

Het product dient met warm water of een mild reinigingsmiddel te worden gereinigd. Een lijst met geschikte reinigingsmiddelen die zijn getest door Pressalit vindt u op pressalit.com.

LET OP

Lees altijd het veiligheidsinformatieblad (MSDS) en de geleverde instructies voor het reinigings-, desinfectie- of ontkalkingsmiddel en volg alle instructies voor veilig gebruik, verdunnen, spoelen, drogen, hanteren en opslag van het middel op.

BELANGRIJK

- Gebruik geen autoclaaf of een andere stoomreiniger.
- Vermijd het gebruik van agressieve reinigingsmiddelen die zuur bevatten.
- Spuit nooit rechtstreeks met een hogedrukspuit op het product.
- Vermijd het gebruik van schurende of bijtende reinigings- of desinfectieproducten of reinigings- of desinfectieproducten op basis van chloor.

Desinfecteren

Wanneer de douchebrancard voor meerdere patiënten wordt gebruikt, is het noodzakelijk dat de douchebrancard na elke patiënt zowel wordt gereinigd als gedesinfecteerd om het risico op kruisbesmetting te voorkomen.

OPMERKING

Als het product in een atmosfeer met een hoog zout- of chloorgehalte wordt geplaatst, wordt de garantietermijn van de douchebrancard verkort van de normale 3 jaar tot 1 jaar.

Zout en chloor hebben een corrosief effect op de onderdelen van het product en verminderen de levensduur van het product. De schadelijke effecten kunnen echter worden verminderd als het product dagelijks wordt afgespoeld met kraanwater.

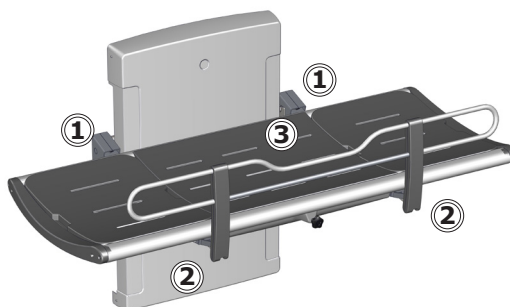
Onderhoud

De verwachte levensduur van de douchebrancard is 10 jaar bij gebruik in een instelling, op voorwaarde dat onderhoud wordt uitgevoerd zoals hieronder beschreven:

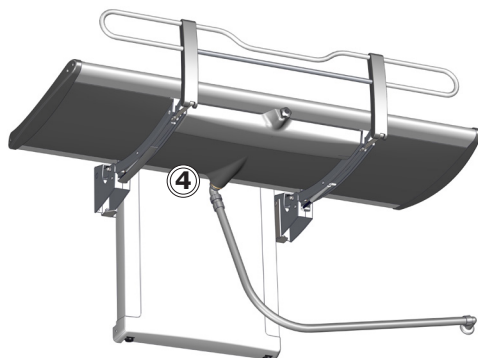
Het wordt aanbevolen wekelijks de motoren van het product te laten lopen tot de maximale standen door het product tot de volledige hoogte omhoog te brengen en vervolgens tot de laagste stand neer te laten, zodat de inwendige onderdelen worden gesmeerd.

Het wordt aanbevolen eenmaal per jaar een onderhoudsinspectie uit te voeren.

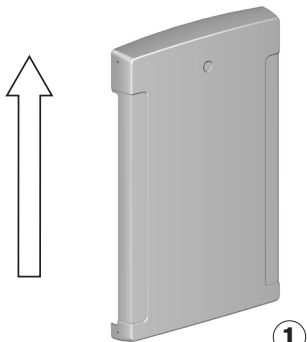
Onderhoudsinspectie



- Controleer de scharnieren ① van de brancard en het veiligheidshek ②. Zet de scharnieren zo nodig vast.
- Controleer de platen ③ op beschadigingen en vervang deze indien nodig.

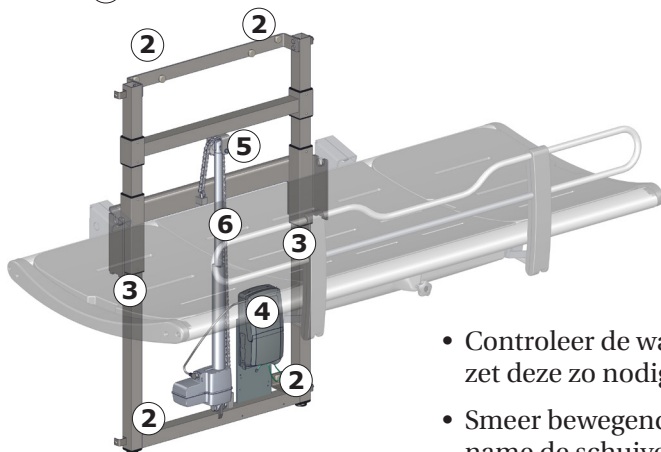
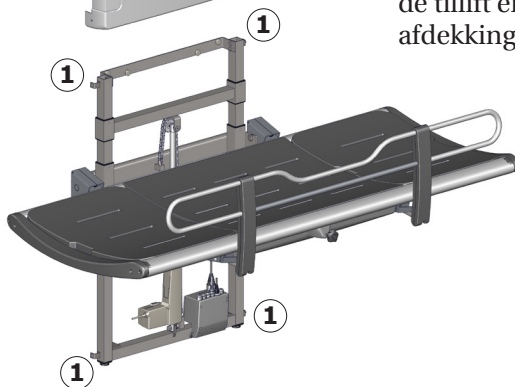


- Controleer de verbindingen van de afvoerpijp ④ en controleer en reinig het waterslot (indien aanwezig).



Koppel de netvoeding van het product los voordat u de afdekkingen gaat verwijderen.

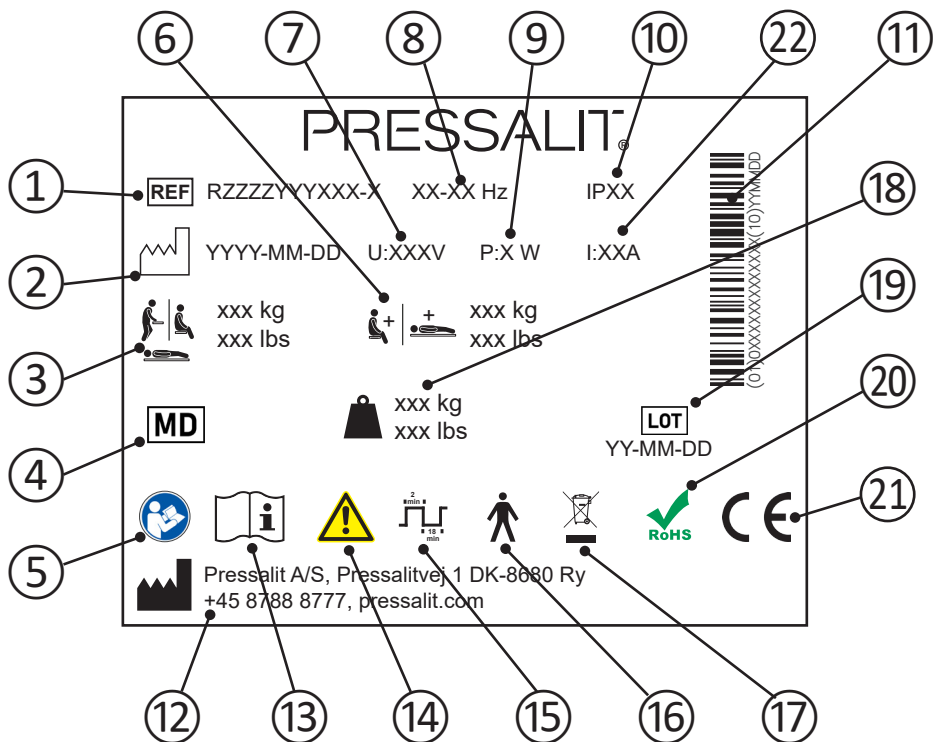
Verwijder de bovenste en onderste borgschroeven ① op de afdekking van de tillift en verwijder voorzichtig de afdekking.



- Controleer de wandbeugels ② en zet deze zo nodig vast.
- Smeer bewegende onderdelen, met name de schuivende beugels ③.

- Controleer alle elektrische verbindingen naar de bedieningseenheid ④.
- Controleer het kettingwiel ⑤ op slijtage.
- Smeer de ketting ⑥.
- Plaats de afdekking van de eenheid terug en zet de borgschroeven vast.

Productlabel



- ① Artikelnummer

- ② Fabricagedatum

- ③ Maximaal gewicht van gebruiker

- ④ Medisch hulpmiddel

- ⑤ Raadpleeg de gebruikshandleiding

- ⑥ Max. belastbaarheid

- ⑦ Netspanning

- ⑧ Frequentie

- ⑨ Maximaal stroomverbruik

nl

⑩ IP-klasse

⑪ GS1-128-barcode

⑫ Naam en adres van fabrikant

⑬ Raadpleeg de gebruikshandleiding

⑭ Raadpleeg de handleiding voor belangrijke waarschuwingsinformatie, zoals waarschuwingen en voorzorgsmaatregelen

⑮ Levenscyclus

⑯ Toegepast onderdeel type B. Een deel van het product komt bij normaal gebruik noodzakelijkerwijs in contact met het lichaam van de patiënt. Het product voldoet aan de vereisten van IEC 60601-1 betreffende het bieden van bescherming tegen elektrische schokken

⑰ Niet afvoeren met het ongesorteerde huishoudelijk afval. Het product moet afzonderlijk worden ingezameld en worden geretourneerd aan een speciale recyclingdienst.

⑱ Gewicht van product

⑲ Batchcode

⑳ Dit product bevat geen van de gevaarlijke stoffen die worden vermeld in Europese richtlijn 2011/65/EG betreffende RoHS.

Deze producten zijn CE-gemarkeerd in overeenstemming met de relevante vereisten in:

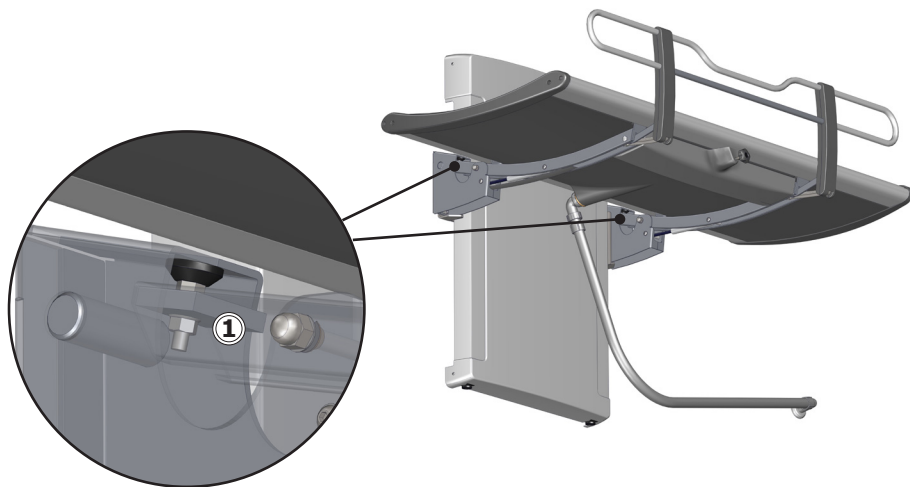
- ni
- ㉑
- Verordening (EU) 2017/745 (van 5 april 2017) betreffende medische hulpmiddelen.
 - Machinerichtlijn 2006/42/EEG (van 17 mei 2006).
 - RoHS-richtlijn 2011/65/EG (van 8 juni 2011).

De conformiteitsverklaring kan worden gevonden op pressalit.com

㉒ Elektrische stroom

Probleemoplossing

Symptoom	Oorzaak	Actie
De douchebrancard blijft niet in rechtopstaande positie staan.	Een of meer gascilinders zijn defect.	Neem contact op met Pressalit A/S of uw plaatselijke dealer.
Het product werkt niet, hoewel de afstandsbediening juist wordt gebruikt.	Storing in voedingseenheid.	Controleer of alle snoeren en stekkers intact zijn en goed zijn aangesloten. Neem contact op met Pressalit A/S of uw plaatselijke dealer.
Het water loopt niet uit de wateropvangbak.	Afstelschroeven te hoog of te laag.	Pas de afstelschroeven ① aan.
De douchebrancard beweegt ongelijkmatig omhoog en omlaag.	De schuivende beugels zijn niet goed gesmeerd.	Smeer de schuivende beugels zoals beschreven in "Onderhoud".



Neem contact op met Pressalit A/S of uw dealer als het probleem niet kan worden verholpen. Probeer niet zelf het product te repareren, omdat de garantie hierdoor komt te vervallen.

Elektromagnetische compatibiliteit

Het apparaat is geschikt voor gebruik thuis, in kinderdagverblijven, in dagcentra voor personen met een lichamelijke of geestelijke handicap of in ziekenhuizen, behalve in de nabijheid van actieve HF-chirurgische apparatuur en RF-afgeschermdes ruimten met medische systemen voor MRI met een hoge intensiteit van elektromagnetische storingen.


Het apparaat heeft geen functie die verband houdt met basisveiligheid of essentiële prestaties. Bij prestatieverlies of -vermindering ten gevolge van elektromagnetische storingen, kan de gebruiker het product nog steeds aan- en uitzetten.

Kabel	Lengte
Stroomkabel	3,2 m
Handbediening spiraalkabel	Ca. 5 m uitgerekt

WAARSCHUWING


- Het gebruik van andere accessoires, omzeters en kabels dan die welke door de fabrikant zijn gespecificeerd of geleverd, kan resulteren in verhoogde elektromagnetische emissies of verminderde elektromagnetische immuniteit van deze apparatuur en een onjuiste werking tot gevolg hebben.
- Draagbare RF-communicatieapparatuur (met inbegrip van randapparatuur zoals antennekabels en externe antennes) mag niet dichterbij dan 30 cm bij enig deel van het apparaat met inbegrip van de kabels, worden gebruikt om verslechtering van de prestaties van dit apparaat te voorkomen.
- Het gebruik van deze apparatuur naast of gestapeld op andere apparatuur dient te worden vermeden omdat dit kan leiden tot een onjuiste werking. Indien gebruik op deze wijze noodzakelijk is, moeten deze apparatuur en de andere apparatuur worden gecontroleerd om na te gaan of deze normaal functioneren.

Elektromagnetische immuiniteit

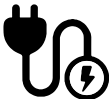
Elektrostatistische ontlading	
	De elektrische ontlading tussen de persoon en het product mag geen zodanige gevolgen hebben dat daardoor acties in gang worden gezet of dat onderdelen defect raken.
Testnorm	Testniveau immuiniteit
EN 61000-4-2	+/- 8 kV contact +/- 2, 4, 8, 15 kV lucht

Uitgestraald radio-elektromagnetisch veld	
	Het product mag niet worden beïnvloed door RF-signalen. Dit zijn bijvoorbeeld signalen van een mobiele telefoon of radio. Dit kan ervoor zorgen dat het product wordt ingeschakeld of dat onderdelen defect raken.
Testnorm	Testniveau immuiniteit
EN 61000-4-3	15 V/m 80 MHz tot 1000 MHz (alleen aan de voorkant) 15 V/m 1,01 GHz tot 3 GHz 80 % AM 1 kHz


Immunititeit voor nabijheidsvelden van draadloze RF-communicatieapparatuur

	<p>Het product mag niet worden beïnvloed door RF-signalen, bijvoorbeeld van een mobiele telefoon of radio, die ervoor zorgen dat het product wordt ingeschakeld of dat onderdelen defect raken.</p>
<p>Testnorm</p>	<p>Testniveau immunititeit</p>
<p>EN 61000-4-3*</p>	<p>385 MHz, 27 V/m, 18 Hz PM (50 % levenscyclus blokgolf) 450 MHz, 28 V/m, FM +/- 5 kHz deviatie, 1 kHz sine 710 MHz, 9 V/m, 217 Hz PM (50 % levenscyclus blokgolf) 745 MHz, 9 V/m, 217 Hz PM (50 % levenscyclus blokgolf) 780 MHz, 9 V/m, 217 Hz PM (50 % levenscyclus blokgolf) 810 MHz, 28 V/m, 18 Hz PM (50 % levenscyclus blokgolf) 870 MHz, 28 V/m, 18 Hz PM (50 % levenscyclus blokgolf) 930 MHz, 28 V/m, 18 Hz PM (50 % levenscyclus blokgolf) 1720 MHz, 28 V/m, 217 Hz PM (50 % levenscyclus blokgolf) 1845 MHz, 28 V/m, 217 Hz PM (50 % levenscyclus blokgolf) 1970 MHz, 28 V/m, 217 Hz PM (50 % levenscyclus blokgolf) 2450 MHz, 28 V/m, 217 Hz PM (50 % levenscyclus blokgolf) 5240 MHz, 9 V/m, 217 Hz PM (50 % levenscyclus blokgolf) 5500 MHz, 9 V/m, 217 Hz PM (50 % levenscyclus blokgolf) 5785 MHz, 9 V/m, 217 Hz PM (50 % levenscyclus blokgolf)</p>

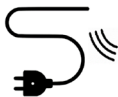
Snelle elektrische transiënten/lawine

	<p>Het product mag niet worden beïnvloed door snelle pulssignalen die via de kabel binnenkomen. Hierdoor kunnen de onderdelen defect raken, of kan het product worden ingeschakeld.</p>
<p>Testnorm</p>	<p>Testniveau immunititeit</p>
<p>EN 61000-4-4</p>	<p>+/- 1 kV, +/- 2 kV 100 kHz herhalingsfrequentie</p>

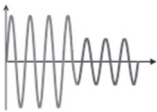
Overspanningsimmunititeit

	Het product mag niet worden aangetast om acties in gang te zetten of om onderdelen te beschadigen als gevolg van blikseminslag.
Testnorm	Testniveau immunititeit
EN 61000-4-5	Kabel-naar-kabel: +/- 0,5 kV, +/-1 kV Kabel-naar-grond: +/- 0,5 kV, +/-1 kV, +/- 2 kV


Immunititeit voor geleide storingen veroorzaakt door RF-velden

	De draden mogen niet worden beïnvloed door andere RF-velden waardoor acties in gang worden gezet of onderdelen defect raken.
Testnorm	Testniveau immunititeit
EN 61000-4-6	3 V (6 V in ISM-banden en amateurradiobanden) 0,15 tot 80 MHz, 80 % AM op 1 kHz


Spanningsdalingen

	Het product mag geen acties in gang zetten of beperken als gevolg van een daling in de stroomvoorziening.
Testnorm	Testniveau immunititeit
EN 61000-4-11	0 % U_T ; 0,5 cyclus op 0°, 45°, 90°, 135°, 180°, 225°, 270° en 315°, 0 % U_T ; 1 cyclus op 0°, 70 % U_T ; 25 cycli op 0° Enkelfasig op 0°

Spanningsonderbrekingen

	Het product mag geen acties in gang zetten of beperken als gevolg van een kortstondige stroomvoorzieningsstop.
Testnorm	Testniveau immunititeit
EN 61000-4-11	0 % U_T ; 300 cyclus

Elektromagnetische emissie

Geleide RF-emissie	
	Het product mag niet te veel ruis het stroomnet in sturen. Dit kan leiden tot verstoringen van andere producten.
Testnorm	Emissietestklasse en -groep
EN 55011	Klasse B, groep 1

Uitgestraalde RF-emissie	
	Het product mag geen RF-signalen uitzenden in de ruimte. Dit kan leiden tot verstoringen van andere producten.
Testnorm	Emissietestklasse en -groep
EN 55011	Klasse B, groep 1

Geharmoniseerde stroom-missies	
	Het product mag niet onbedoeld stroom aan het net onttrekken.
Testnorm	Emissietestklasse en -groep
IEC 61000-3-2	Klasse A

Spanningswisselingen, spanningsschommelingen en flikkering	
	Het product mag geen invloed hebben op andere producten wanneer deze op het net is aangesloten. Dit kunnen bijvoorbeeld lampjes zijn die gaan knipperen en zo mensen in de ruimte storen.
Testnorm	Emissietestklasse en -groep
EN 61000-3-3	Getest volgens de norm.

Afvoer en recycling

De eenheid bevat herbruikbare materialen. Er zijn geen bekende gevaren of risico's gekoppeld aan het afvoeren van het product. Alle onderdelen kunnen na reiniging en desinfectie worden afgevoerd.

We raden u aan het product bij afvoer te demonteren en onder te verdelen in afvalgroepen voor recycling of verbranding.

De volgende tabel biedt informatie over het recyclen en hanteren van het product.

Recyclebare onderdelen	Materiaal
Aluminium	Aluminium is in theorie 100% recyclebaar zonder dat de natuurlijke eigenschappen daarbij verloren gaan. Slecht 5% van de energie die het kost om primair aluminium te produceren is nodig voor het recyclen ervan. De kwaliteit van gerecycled aluminium is zo hoog dat het steeds weer gebruikt kan worden, zelfs in het geval van geanodiseerde producten, omdat de geanodiseerde laag een natuurlijk onderdeel van aluminium is.
Staal	Staal kan worden gerecycled door het opnieuw te smelten en te gebruiken als secundair materiaal bij de productie van nieuw staal.
PVC en polystyreen	Hard PVC wordt tot korrels vermalen en opnieuw gesmolten. Gebruik sorteer- en recyclingsystemen voor kunststof wanneer deze lokaal beschikbaar zijn. Het verbranden van kunststof kan in andere gevallen worden gebruikt voor het opwekken van energie die bijvoorbeeld kan worden gebruikt voor cogeneratie.
Polyurethaan	Net zoals andere kunststoffen kan polyurethaan op deze twee voornaamste manieren worden gerecycled: mechanische recycling, waarbij het materiaal wordt hergebruikt in de vorm van polymeer, en chemische recycling, waarbij het materiaal wordt afgebroken in de verschillende chemische bestanddelen.
Elektronica	De elektronische onderdelen moeten afzonderlijk worden ingezameld en worden getourneerd aan een speciale recyclingdienst.

Innehåll

Monteringsinstruktion	114
Visuell snabbguide	114
Symboler som används i manualen.	115
Allmän säkerhetsinformation	116
Avsedd användning	117
Användare	117
Avsedd för.	117
Användningsmiljö	117
Kontraindikationer för användning	117
Biokompatibilitet.	117
Användningsinstruktioner.	118
Höjjustering	120
Huvudstöd.	121
Rengöring	122
Borttagning av kalkbeläggningar	122
Desinficering	123
Underhåll.	124
Underhållsinspektion	124
Produktetikett.	126
Åtgärda fel	128
Elektromagnetisk kompatibilitet	129
Elektromagnetisk immunitet.	130
Elektromagnetisk emission	133
Kassering och återvinning	134

Monteringsinstruktion

sv



En monteringsinstruktion medföljer den här produkten. Den går även att ladda ned på pressalit.com.




Visuell snabbguide



En visuell snabbguide medföljer produkten. Den går även att ladda ned på pressalit.com.

Symboler som används i manualen

Följande symboler används i manualen samt i övrig dokumentation som medföljer produkten.

	<p>VARNING indikerar en potentiellt farlig situation som kan orsaka dödsfall eller allvarlig skada om den inte undviks.</p>		
	<p>VAR FÖRSIKTIG indikerar en potentiellt farlig situation som kan orsaka mindre eller måttlig skada om den inte undviks. Kan också användas för att varna för osäker hantering.</p>		
	<p>VIKTIGT indikerar viktig information om hantering och användning av produkten.</p>		
	<p>OBS används för att informera om hantering som inte är relaterad till personlig säkerhet.</p>		
			
<p>Varning för handskada</p>	<p>Varning för huvudskada</p>	<p>Varning för elektricitet/spänning</p>	<p>Annan specifik varning</p>
			
<p>Kompatibla produkter</p>	<p>Reservdelar</p>	<p>Specifikationer för strömförsörjning</p>	<p>EMC-relaterade symboler</p>
			
<p>Produktvikt</p>	<p>Användarens maxvikt</p>	<p>Artikelnummer/ versioner</p>	<p>Lämna inte patienten utan tillsyn</p>

sv

Allmän säkerhetsinformation

VARNING

- Se till att du har läst och förstått manualen fullständigt innan du använder produkten. Förvara manualen nära produkten.
- Följ anvisningarna i manualen för att undvika olyckor som kan orsaka allvarliga personskador.
- Använd aldrig produkten på något annat sätt än vad som beskrivs i den här manualen eftersom du då riskerar att skada både dig själv och produkten.
- Se till att alla personer som ska installera eller använda produkten och de tillhörande systemen har fått den information som behövs samt att de har tillgång till manualen.

VAR FÖRSIKTIG

- Följ anvisningarna för att undvika att produkten skadas eller förstörs.
- Försök inte reparera, demontera, montera eller göra tillägg till produkten eller ändra den på något sätt. Sådana åtgärder får endast utföras av Pressalit eller av personer som fått behörighet av Pressalit.
- Låt aldrig barn använda produkten ensamma. Den är inte avsedd för lek.
- Använd aldrig produkten om den är trasig eller skadad. Vänta med att använda en defekt produkt tills den har reparerats.

OBS

- Informationen i den här manualen är baserad på att produkten är korrekt monterad enligt våra anvisningar.
- Pressalit tar inget ansvar för eventuella fel som uppstår om produkten används på något annat sätt än vad som beskrivs i manualen.
- Vi förbehåller oss rätten att göra ändringar i manualen utan att meddela detta i förväg.

Avsedd användning

Den här produkten är avsedd att användas vid duschning/för vård av en person som inte kan stå eller sitta själv. Personen ligger horisontellt på duschbrisen.

Användare

Produkten ska användas av personal som är utbildad i hälsovård och/eller att tvätta/utföra ombyte på personer.

Avsedd för

Produkten kan användas av alla – vuxna, barn, gamla och unga med en **maxvikt på 200 kg**.

Användningsmiljö

För användning inomhus i våtrumsmiljö, till exempel ett badrum. Produkten är avsedd för användning i rumstemperatur i privata hem, på vårdhem och sjukhus under normala arbetsförhållanden.

Kontraindikationer för användning

Det är inte rekommenderat att enheten används för patienter med infusions- eller insulinpump, inflammatoriska hudsjukdomar eller patienter med feber.

Patienter med hjärtsvikt, hjärt-kärlsjukdomar, kraniocerebralt trauma, öppna sår, närings- eller dräneringssond (t.ex. kateter, dränage) kan använda enheten, men endast i samråd med ansvarig läkare.

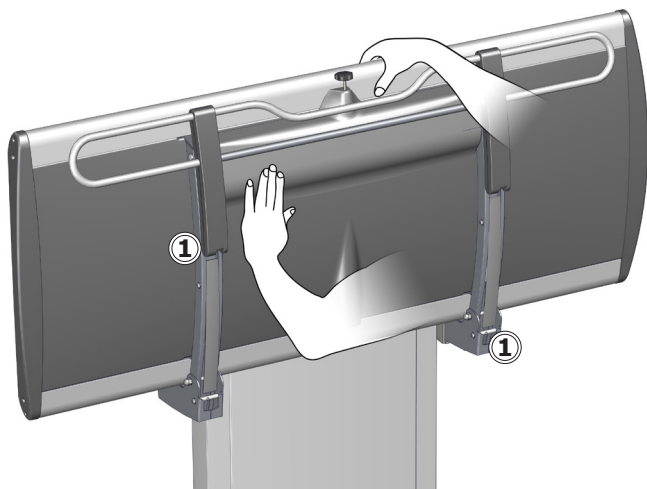
Biokompatibilitet

De material som kommer i kontakt med användarens hud under den avsedda användningen har utvärderats för innehåll av skadliga ämnen enligt procedurerna i SS-EN ISO 10993-1:2020 Biologisk värdering av medicintekniska produkter – Del 1 och anses därför lämpliga för detta ändamål.

 **VAR FÖRSIKTIG**

Ytan på den här produkten kan bli mycket varm eller kall om den utsätts för värme eller kyla från externa källor (t.ex. solsken eller frost).

Användningsinstruktioner



Håll emot britsen med en hand eller med kroppen när du fäller upp och ned den för att undvika skaderisk.

De integrerade gascylindrarna gör det enkelt att fälla upp britsen mot väggen efter användning.



Se till att du inte skadar händerna när du arbetar i närheten av mekaniska delar som stängs ①.

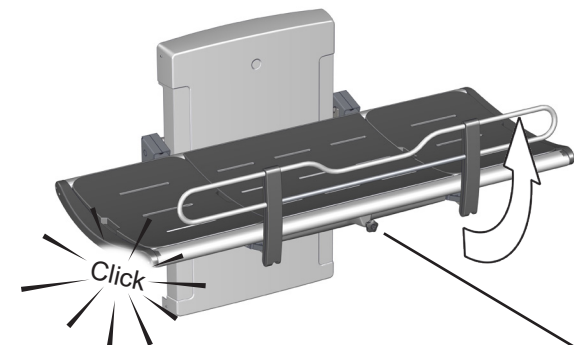
sv

VAR FÖRSIKTIG

Var alltid försiktig när du flyttar en person till och från britsen.

OBS

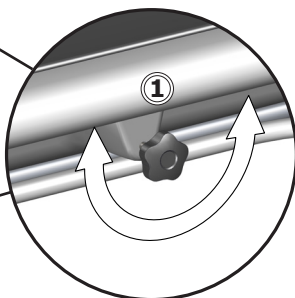
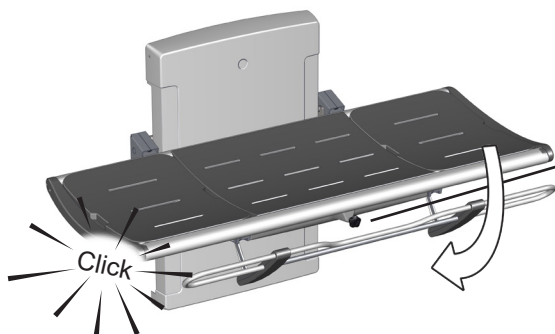
Eventuella allvarliga incidenter som inträffar i samband med produkten ska rapporteras till tillverkaren och till berörda hälsomyndigheter.



Så här fäller du upp sänggrinden:

Vrid på låsratten ① åt något håll för att frikoppla sänggrinden.

Lyft sänggrinden uppåt tills du hör ett klick som indikerar att den är låst.

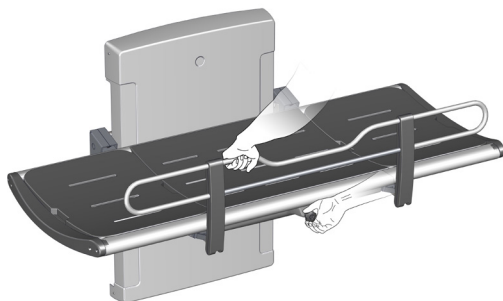


Så här fäller du undan sänggrinden:

Vrid på låsratten ① åt något håll för att frikoppla sänggrinden. Skjut tillbaka sänggrinden till undersidan av britsen tills du hör ett klick som indikerar att den är låst.

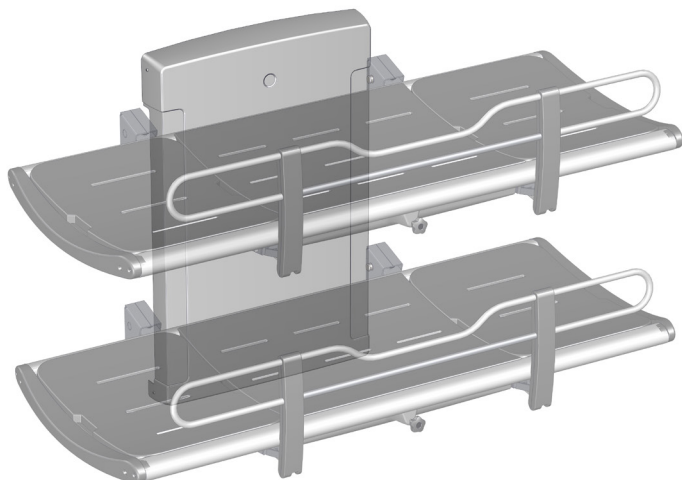
OBS

Om låsen inte frikopplas när du vrider på låsratten lyfter du grinden försiktigt så att låsmekanismen inte är belastad. Detta gör att låsen frikopplas.



SV

Höjdjustering



När britsen har installerats på rätt höjd (rekommenderad installationshöjd är 868 mm ovanför golvet) kan den justeras till en höjd på mellan 300 och 1 000 mm ovanför golvet.

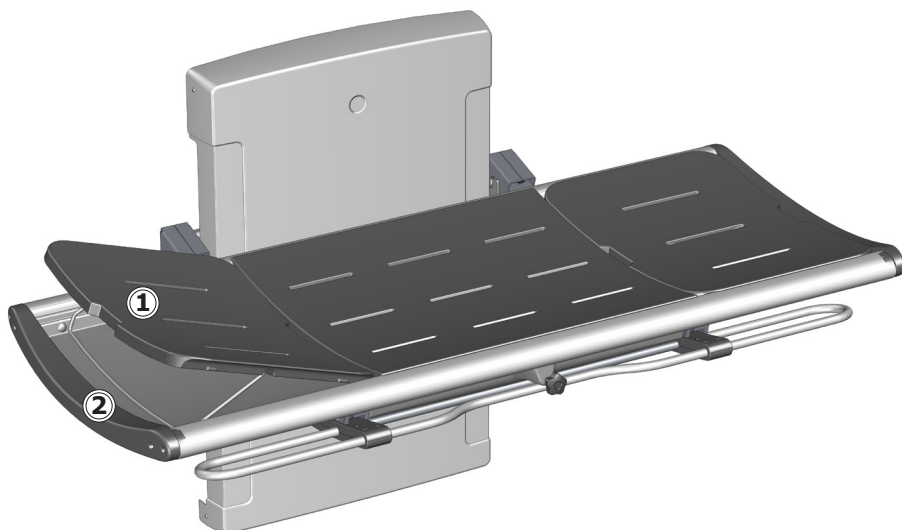
Höjdjusteringen utförs via en trådbunden manöverdosa.

Tryck på upp-knappen och håll ned den för att höja britsen och tryck på ned-knappen och håll ned den för att sänka britsen.



Se till att det inte finns några föremål under duschbritten när du justerar höjden.

Huvudstöd



Den lyftbara plattan kan användas som huvudstöd för ökad komfort. Använd greppet ① för att lyfta plattan. Fäll ned metallstödet ② om du vill att plattan ska vara i upprätt läge.

Positionen för plattorna kan växlas om man vill ha huvudstödet vid den andra änden av britsen.



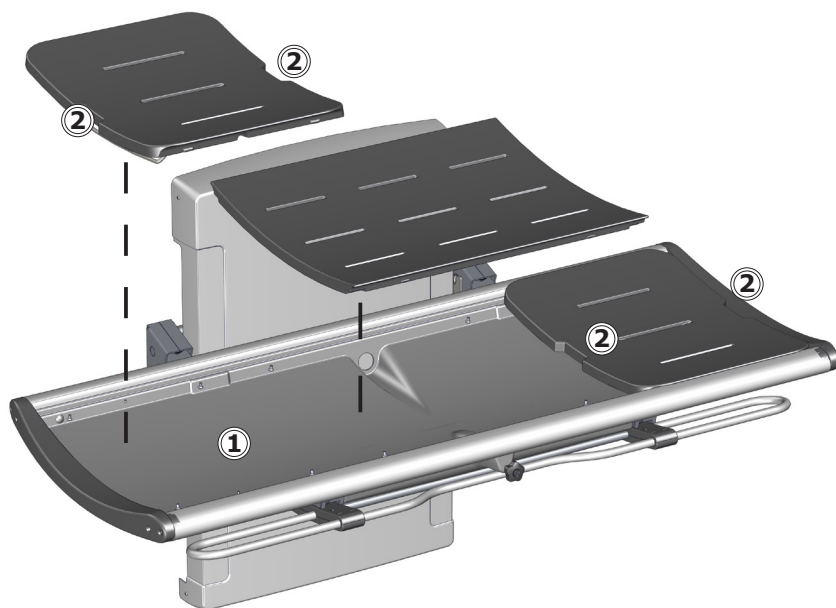
VAR FÖRSIKTIG

Låt **aldrig** en person ligga på duschbritten om inte plattorna är på plats. Karet under plattorna är endast avsett för vattenuppsamling. Det får inte användas som badkar. Det finns risk för både personskada och skada på produkten.

SV

Rengöring

Rengör duschbritsen efter varje användningstillfälle. Använd vatten och vanlig tvål. Skölj av med rent vatten och torka med en mjuk trasa.



Låt inte plattorna vara täckta med vatten. Ta bort plattorna och torka vattenuppsamlingskaret ①. Använd greppen ② när du lyfter plattorna.

Borttagning av kalkbeläggningar

För att ta bort kalkbeläggningar på aluminiumdelar torkar du med en blandning av 3 delar 30-procentig vanlig vinäger och 7 delar vatten. Torka därefter igen med en trasa som är blött med rent vatten.

I länder där kalkhalten i ledningsvattnet är hög kan det vara nödvändigt att ta bort kalkbeläggningar från aluminiumdelar med ett avkalkningsmedel, t.ex. ättiksyra. Testa först medlet på en yta som inte syns när britsen används.

sv

Produkten ska rengöras med varmt vatten eller ett mild tvålbaserat rengöringsmedel.

På pressalit.com finns en lista över lämpliga rengöringsmedel som har testats av Pressalit.



VAR FÖRSIKTIG

Läs alltid materialsäkerhetsdatabladet (MSDS) och de medföljande anvisningarna till det aktuella rengörings-, desinficerings- eller avkalkningsmedlet avseende säker användning, spädning, sköljning, torkning, hantering och förvaring.

VIKTIGT

- Använd inte en autoklav eller någon annan typ av ångtvätt för rengöring.
- Undvik aggressiva rengöringsmedel som innehåller syror.
- Spruta aldrig med högtryckstvätt direkt på produkten.
- Undvik användning av slipande, korrosiva eller klorbaserade rengörings- eller desinficeringsprodukter.

Desinficering

När duschbritten används för flera patienter är det nödvändigt att både rengöra och desinficera den mellan de olika patienterna för att undvika risk för korsinfektion.

OBS

Om produkten installeras i en miljö där det finns mycket salt eller klor minskar garantitiden från 3 år (standard) till 1 år.

Salt och klor har en korrosiv effekt på komponenterna i produkten och gör att livslängden minskar. Skadeeffekterna kan dock minskas om produkten spolas av med kranvatten dagligen.

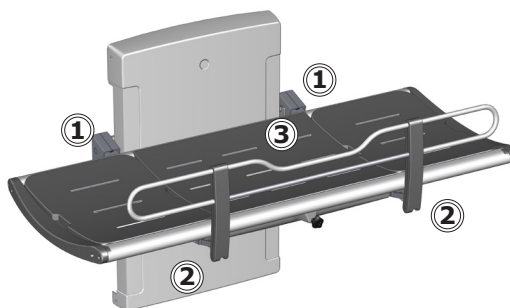
Underhåll

Den förväntade användningstiden för duschbritten är 10 år vid yrkesmässig användning, förutsatt att underhåll utförs enligt anvisningarna nedan:

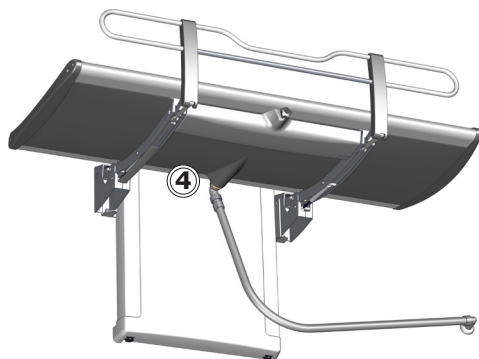
Vi rekommenderar att du varje vecka kör motorerna till maxpositionerna genom att du först lyfter produkten till maxhöjd och sedan sänker den till sin lägsta position så att de interna delarna smörjs.

Vi rekommenderar att en underhållsinspektion utförs varje år.

Underhållsinspektion

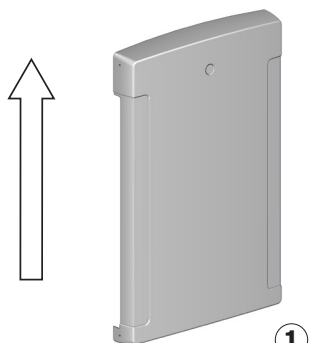


- Kontrollera gångjärnen ① på britten och på sänggrinden ②. Dra åt dem om det behövs.
- Kontrollera att plattorna ③ inte är skadade och byt ut dem om det behövs.



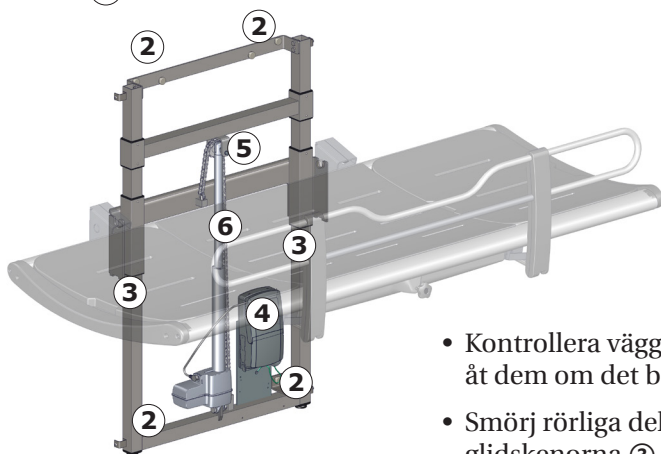
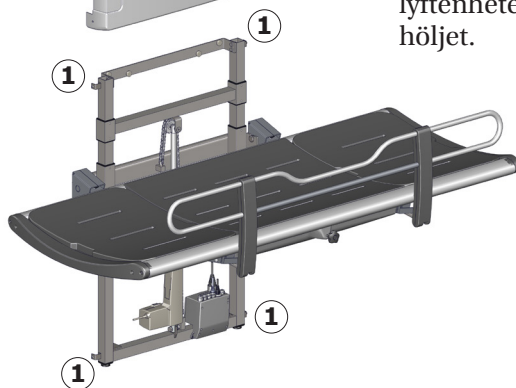
- Kontrollera anslutningarna till avloppsröret ④ och kontrollera och rengör vattenuppsamlaren (om den är monterad).

sv



**Koppla från
anslutningen till
elnätet innan du tar
bort höljet.**

Ta bort de övre och undre
stoppskruvarna ① på höljet till
lyftenheten och ta försiktigt bort
höljet.



- Kontrollera väggfästena ② och dra åt dem om det behövs.
- Smörj rörliga delar, framför allt glidskenorna ③.

- Kontrollera alla elektriska anslutningar på manöverdosan ④.
- Kontrollera om kedjehjulet ⑤ är slitet.
- Smörj in kedjan ⑥.
- Sätt tillbaka höljet på enheten och dra åt stoppskruvarna.

SV

⑩ IP-klass

⑪ Streckkod GS1-128

⑫ Tillverkarens namn och adress

⑬ Läs manualen för att få anvisningar om användning.

⑭ Läs manualen för att få veta innebörden i viktig säkerhetsinformation som varningar och försiktighetsåtgärder.

⑮ Arbetscykel

⑯ Typ B-del. En del av produkten kommer att komma i fysisk kontakt med patienten vid normal användning. Produkten uppfyller kraven i IEC 60601-1 och är därmed skyddad mot elektriska stötar.

⑰ Produkten får inte kasseras som vanligt hushållsavfall. Avfallssortera de olika delarna och lämna in dem för återvinning på därför avsedd plats.

⑱ Produktvikt

⑲ Batchkod

⑳ Produkten innehåller inga av de farliga ämnen som är angivna i RoHS-direktivet 2011/65/EG.

Dessa produkter är CE-märkta i enlighet med relevanta krav i:

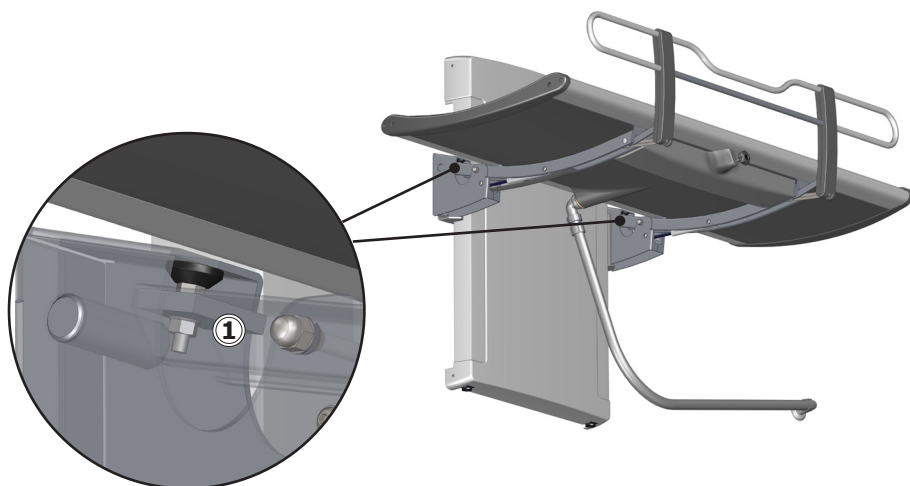
- ⑳
- Förordning (EU) 2017/745 (från den 5. april 2017) om medicintekniska produkter.
 - Maskindirektivet 2006/42/EEG (från den 17 maj 2006).
 - RoHS-direktivet 2011/65/EU (från den 8. juni 2011).

En försäkran om överensstämmelse finns på pressalit.com

㉑ Elektrisk ström

Åtgärda fel

Symptom	Orsak	Åtgärd
Duschbritten stannar inte kvar i upprätt läge.	En eller flera gascylindrar är defekta.	Kontakta Pressalit A/S eller din lokala återförsäljare.
Produkten fungerar inte fastän manöverdosan används på rätt sätt.	Fel på strömförsörjningen.	Kontrollera att alla kablar och kontakter är oskadade och anslutna på rätt sätt. Kontakta Pressalit A/S eller din lokala återförsäljare.
Vattnet flyter inte ut från vattenuppsamlingskaret.	Justeringskruvarna sitter för högt eller för lågt.	Justera justeringskruvarna ①.
Det går hackigt när duschbritten flyttas uppåt och nedåt.	Glidskenorna behöver smörjas.	Smörj in glidskenorna enligt anvisningarna i "Underhåll".



Kontakta Pressalit A/S eller din återförsäljare om du inte kan åtgärda problemet. Försök inte reparera produkten själv eftersom det gör att garantin upphör att gälla.

Elektromagnetisk kompatibilitet

Produkten är lämplig för användning i hemmet, på vårdhem, på vårdhem för personer med fysisk eller psykisk funktionsnedsättning eller på sjukhus förutom i närheten av aktiv kirurgisk HF-utrustning och RF-avskärmade rum med medicinska system för magnetisk resonanstomografi med hög intensitet av elektromagnetiska störningar.

Produkten har ingen funktion som är relaterad till grundläggande säkerhet eller prestanda som kan påverka hälsan. Om produkten slutar fungera eller om dess prestanda försämras på grund av elektromagnetiska störningar så kan användaren ändå ta sig upp och ned från produkten.


Kabel	Längd
Nätkabel	3,2 m
Spiralkabel till manöverdosan	Ungefär 5 m utdragen


VARNING

- Användning av andra tillbehör, omvandlare och kablar än de som är specificerade eller som tillhandahålls av tillverkaren kan orsaka ökad elektromagnetisk emission eller försämrad elektromagnetisk immunitet för den här utrustningen vilket kan resultera i felaktig funktion.
- Bärbar utrustning för RF-kommunikation (inklusive tillbehör som antennkablar och externa antenner) ska inte användas närmare än 30 cm från någon del av produkten (inklusive dess kablar) för att undvika att produktens prestanda försämras.
- Använd inte den här produkten bredvid eller ovanpå annan utrustning eftersom det kan resultera i felaktig drift. Om produkten ändå behöver användas på ett sådant sätt ska både den och den andra utrustningen kontrolleras för att verifiera att de fungerar normalt.


sv

Elektromagnetisk immunitet

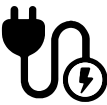
Elektrostatisk urladdning	
	Produkten får inte utsättas för elektrostatisk urladdning som kan uppstå vid beröring av produkten. Det kan göra att produkten utför oväntade åtgärder eller att komponenter går sönder.
Teststandard	Testnivå för immunitet
SS-EN 61000-4-2	+/- 8 kV kontakt +/- 2, 4, 8, 15 kV luft

RF-fält som sänder ut elektromagnetisk strålning	
	Produkten får inte påverkas av utsända RF-signaler från till exempel en mobiltelefon eller en radio. De kan göra att produkten utför oväntade åtgärder eller att komponenter går sönder.
Teststandard	Testnivå för immunitet
SS-EN 61000-4-3	15 V/m 80 MHz till 1000 MHz (endast på framsidan) 15 V/m 1,01 GHz till 3 GHz 80 % AM 1 kHz

Immunitet mot närliggande RF-fält från utrustning för trådlös kommunikation

	Produkten får inte påverkas av utsända RF-signaler från till exempel en mobiltelefon eller en radio. De kan göra att produkten utför oväntade åtgärder eller att komponenter går sönder.
Test-standard	Testnivå för immunitet
SS-EN 61000-4-3*	385 MHz, 27 V/m, 18 Hz PM (50 % driftcykel, fyrkantsvåg) 450 MHz, 28 V/m, FM +/- 5 kHz avvikelse, 1 kHz sinusvåg 710 MHz, 9 V/m, 217 Hz PM (50 % driftcykel, fyrkantsvåg) 745 MHz, 9 V/m, 217 Hz PM (50 % driftcykel, fyrkantsvåg) 780 MHz, 9 V/m, 217 Hz PM (50 % driftcykel, fyrkantsvåg) 810 MHz, 28 V/m, 18 Hz PM (50 % driftcykel, fyrkantsvåg) 870 MHz, 28 V/m, 18 Hz PM (50 % driftcykel, fyrkantsvåg) 930 MHz, 28 V/m, 18 Hz PM (50 % driftcykel, fyrkantsvåg) 1720 MHz, 28 V/m, 217 Hz PM (50 % driftcykel, fyrkantsvåg) 1845 MHz, 28 V/m, 217 Hz PM (50 % driftcykel, fyrkantsvåg) 1970 MHz, 28 V/m, 217 Hz PM (50 % driftcykel, fyrkantsvåg) 2450 MHz, 28 V/m, 217 Hz PM (50 % driftcykel, fyrkantsvåg) 5240 MHz, 9 V/m, 217 Hz PM (50 % driftcykel, fyrkantsvåg) 5500 MHz, 9 V/m, 217 Hz PM (50 % driftcykel, fyrkantsvåg) 5785 MHz, 9 V/m, 217 Hz PM (50 % driftcykel, fyrkantsvåg)

Snabba elektriska transienter/pulsskuror

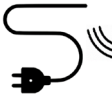
	Produkten får inte utsättas för snabba pulssignaler via nätkabeln. De kan göra att komponenter går sönder eller att produkten utför oväntade åtgärder.
Test-standard	Testnivå för immunitet
SS-EN 61000-4-4	+/- 1 kV, +/- 2 kV 100 kHz repetitionsfrekvens

Överspänningsskydd

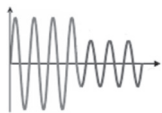
	Produkten får inte utsättas för överspänning vid till exempel ett åsknedslag. Det kan göra att produkten utför oväntade åtgärder eller att komponenter går sönder.
---	--

Test-standard	Testnivå för immunitet
SS-EN 61000-4-5	Ledning till ledning: +/- 0,5 kV, +/-1 kV Ledning till jord: +/- 0,5 kV, +/-1 kV, +/- 2 kV


Immunitet mot ledningsbundna störningar inducerade av RF-fält

	Kablarna får inte påverkas av andra RF-fält. Det kan göra att produkten utför oväntade åtgärder eller att komponenter går sönder.
Test-standard	Testnivå för immunitet
SS-EN 61000-4-6	3 V (6 V i ISM-band och amatörradioband) 0,15 till 80 MHz, 80 % AM vid 1 kHz


Spänningsfall


	Produkten får inte utföra oväntade åtgärder eller begränsa åtgärder på grund av en nedgång i strömförsörjningen.
Test-standard	Testnivå för immunitet
SS-EN 61000-4-11	0 % U_T ; 0,5 cykel vid 0°, 45°, 90°, 135°, 180°, 225°, 270° och 315°, 0 % U_T ; 1 cykel vid 0°, 70 % U_T ; 25 cykler vid 0° Enfas vid 0°


Spänningsavbrott


	Produkten får inte utföra oväntade åtgärder eller begränsa åtgärder på grund av ett kortvarigt strömavbrott.
Test-standard	Testnivå för immunitet
SS-EN 61000-4-11	0 % U_T ; 300 cykler

Elektromagnetisk emission

Emission från ledningsbunden RF	
	Produkten får inte avge för mycket brus till elnätet. Det kan medföra störningar på andra produkter.
Teststandard	Emissionsstandard och -grupp
SS-EN 55011	Klass B, grupp 1

Emission från RF-strålning	
	Produkten får inte avge RF-signaler till omgivningen. De kan medföra störningar på andra produkter.
Teststandard	Emissionsstandard och -grupp
SS-EN 55011	Klass B, grupp 1

Korrekt belastning av elnätet	
	Produkten får inte belasta elnätet oavsiktligt.
Teststandard	Emissionsstandard och -grupp
IEC 61000-3-2	Klass A

Spänningsförändringar, spänningsvariationer och flimmer	
	Produkten får inte påverka andra produkter när den är ansluten till elnätet. Det kan till exempel röra sig om lampor som börjar blinka och därmed stör andra personer i rummet.
Teststandard	Emissionsstandard och -grupp
SS-EN 61000-3-3	Testad enligt denna standard.

SV

Kassering och återvinning

Produkten innehåller material som går att återvinna. Det finns inga kända risker förknippade med kassering av produkten. Alla komponenter kan kasseras efter att de har rengjorts och desinficerats.

Vid kassering av produkten rekommenderar vi att den demonteras och att de olika delarna avfallssorteras för återvinning eller förbränning.

I följande tabell finns information om återvinning och hantering av produkten.

Komponenter som kan återvinnas	Material
Aluminium	Aluminium går teoretiskt sett att återvinna till 100 % utan att det förlorar några av sina naturliga egenskaper. Detta kräver endast 5 % av den energi som behövs för att tillverka primäraluminium. Kvaliteten på återvunnet aluminium är så hög att det kan användas igen och igen, och detta gäller även för anodiserade produkter eftersom det anodiserade lagret är en naturlig del av aluminiumet.
Stål	Stål kan återvinnas genom att smältas ned och inkluderas som ett sekundärt material vid tillverkning av nytt stål.
PVC och polystyren	Hård PVC-plast mals ned och smälts om. Sortera som plastavfall.
Polyuretan	I likhet med andra plaster kan polyuretan återvinnas på två huvudsakliga sätt: mekanisk återvinning, där materialet återanvänds i polymerform, och kemisk återvinning där materialet delas upp i sina olika kemiska beståndsdelar.
Elektronik	De elektroniska komponenterna ska samlas in och sorteras som elektriskt avfall.

Innholdsfortegnelse

Monteringsanvisning	135
Visuell hurtigveiledning	135
Symboler brukt i denne brukerhåndboken	136
Generell sikkerhet	137
Tiltenkt bruk	138
Krav til operatører.	138
Krav til brukere	138
Krav til omgivelsene ved bruk	138
Kontraindikasjoner for bruk.	138
Biokompatibilitet.	138
Bruksanvisning.	139
Høydejustering.	141
Nakkestøtte	142
Rengjøring.	143
Slik fjerner du kalkavleiringer	143
Desinfeksjon	144
Vedlikehold	145
Vedlikeholdskontroll	145
Produktetikett.	147
Feilsøking.	149
Elektromagnetisk kompatibilitet	150
Elektromagnetisk immunitet.	151
Elektromagnetisk utslipp	154
Kassering og gjenvinning	155

Monteringsanvisning



En monteringsanvisning er inkludert med dette produktet. Den kan også lastes ned fra pressalit.com.

no

Visuell hurtigveiledning



En visuell hurtigveiledning er inkludert med produktet. Den kan også lastes ned fra pressalit.com.

Symboler brukt i denne brukerhåndboken

De følgende symbolene brukes i denne brukerhåndboken og i den tilhørende dokumentasjonen som følger med produktet.

 ADVARSEL	ADVARSEL indikerer en potensiell farlig situasjon som, hvis den ikke unngås, kan føre til død eller alvorlig personskade.		
 FORSIKTIG	FORSIKTIG angir en potensielt farlig situasjon som, hvis den ikke unngås, kan føre til mindre eller moderate personskader. Det kan også brukes for å advare mot feilaktig bruk.		
VIKTIG	VIKTIG angir viktig informasjon om korrekt håndtering og bruk av produktet.		
MERKNAD	MERKNAD indikerer forhold som ikke er relatert til personlig sikkerhet.		
			
Advarsel om håndskade	Advarsel om hodeskade	Advarsel om elektrisitet/spenning	Annen spesifikk advarsel
			
Kompatible produkter	Reservedeler	Strøm-spesifikasjoner	EMC-relaterte symboler
			
Produktvekt	Maksimal brukervekt	Artikkelnummer/-versjoner	Ikke forlat pasienten uten tilsyn.

Generell sikkerhet

ADVARSEL

- Les og forstå brukerhåndboken fullstendig før bruk. Oppbevar brukerhåndboken nær enheten.
- Følg instruksjonene i denne brukerhåndboken for å unngå ulykker som kan føre til alvorlig personskade.
- Dette produktet skal aldri brukes eller håndteres på andre måter enn som beskrevet i denne brukerhåndboken. Dette kan redusere sikkerheten for deg og føre til skade på produktet.
- Sørg for at alle som skal montere eller bruke produktet og systemene, har all nødvendig informasjon og tilgang til denne brukerhåndboken.

FORSIKTIG

- Følg disse instruksjonene for å unngå at produktet skades eller ødelegges.
- Ikke utfør reparasjoner, demonterings- eller monteringsoperasjoner, utvidelser, justeringer eller modifikasjoner på dette produktet. Dette skal kun utføres av Pressalit eller personer som er autorisert av Pressalit.
- La aldri barn bruke dette produktet uten tilsyn. Produktet er ikke et leketøy.
- Bruk aldri produktet hvis det er defekt eller skadet. Bruk ikke et defekt produkt før det er blitt reparert.

MERKNAD

- Informasjonen i denne brukerhåndboken forutsetter at produktet er riktig montert i samsvar med våre monteringsinstruksjoner.
- Pressalit kan ikke holdes ansvarlig hvis produktet brukes på annen måte enn som beskrevet i veiledningen.
- Vi forbeholder oss retten til å foreta endringer i denne brukerhåndboken uten varsel.

Tiltenkt bruk

Dette produktet skal brukes til å dusje/stelle en person som ikke kan stå eller sitte. Personen skal ligge horisontalt på dusjstillebordet.

Krav til operatører

Produktet skal brukes av kvalifisert pleiepersonell som er opplært i vask/stell av pasienter.

Krav til brukere

Produktet kan brukes av alle – voksne, barn, unge, eldre – som veier **maksimalt 200 kg**.

Krav til omgivelsene ved bruk

For bruk innendørs i våtrom, som bad eller vaskerom. Produktet skal brukes ved romtemperatur, i private hjem, på pleiehjem og sykehus under normale driftsforhold.

Kontraindikasjoner for bruk

Bruk av enheten anbefales ikke for pasienter med infusjons- eller insulinpumpe, inflammatoriske hudsykdommer eller pasienter med feber.

Pasienter med hjertesvikt, hjerte- og karsykdommer, kranial/cerebral skade, åpne sår, ernæringssonder eller dren (f.eks. kateter, drenslanger) kan bare bruke enheten etter å ha konsultert den behandlende legen.

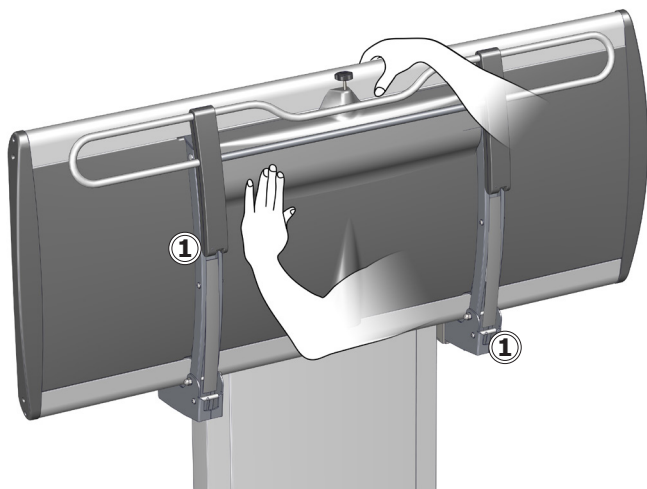
Biokompatibilitet

Materialene som er i kontakt med huden til brukeren under tiltenkt bruk, er evaluert for innhold av skadelige stoffer i henhold til NS-EN ISO 10993-1:2020 Biologisk evaluering av medisinsk utstyr — Del 1; og anses derfor som egnet for dette formålet.



Produktets overflate kan bli varm og/eller kald hvis den utsettes for eksterne kilder for varme eller kulde (f.eks. sollys eller frost).

Bruksanvisning



Støtt bordet med hånden eller kroppen når det slås opp eller ned, for å unngå risiko for skade.

De innebygde gassylindrene gjør det enkelt å folde opp bordet mot veggen igjen etter bruk.



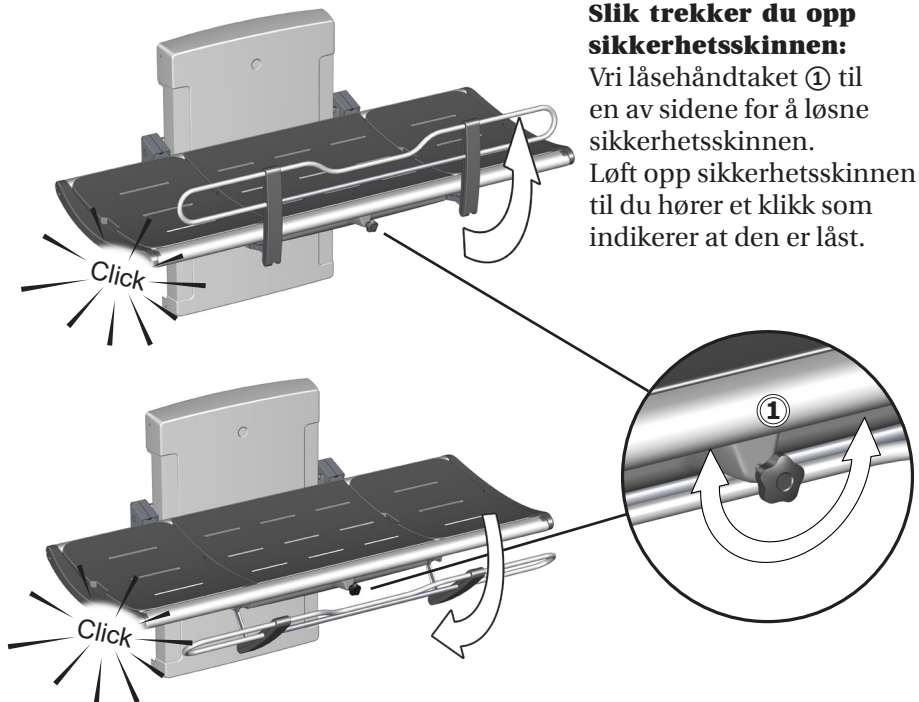
Vær forsiktig for å unngå håndskade når hendene er i nærheten av lukkemekanismene ①.

⚠ FORSIKTIG

Vær alltid forsiktig når en person flyttes på eller av bordet.

MERKNAD

Enhver alvorlig hendelse som har skjedd i forbindelse med produktet, skal rapporteres til produsenten og helsemyndighetene.



Slik trekker du opp sikkerhetsskinnen:

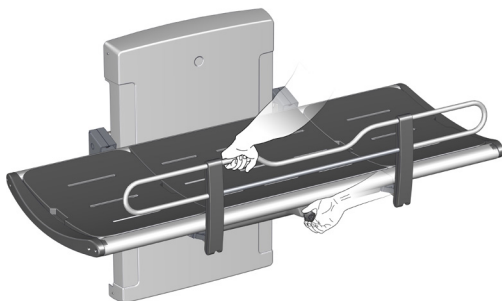
Vri låsehåndtaket ① til en av sidene for å løsne sikkerhetsskinnen. Løft opp sikkerhetsskinnen til du hører et klikk som indikerer at den er låst.

Slik slår du sammen sikkerhetsskinnen:

Vri låsehåndtaket ① til en av sidene for å løsne sikkerhetsskinnen. Skyv sikkerhetsskinnen tilbake mot undersiden av bordet til du hører et klikk som indikerer at den er låst.

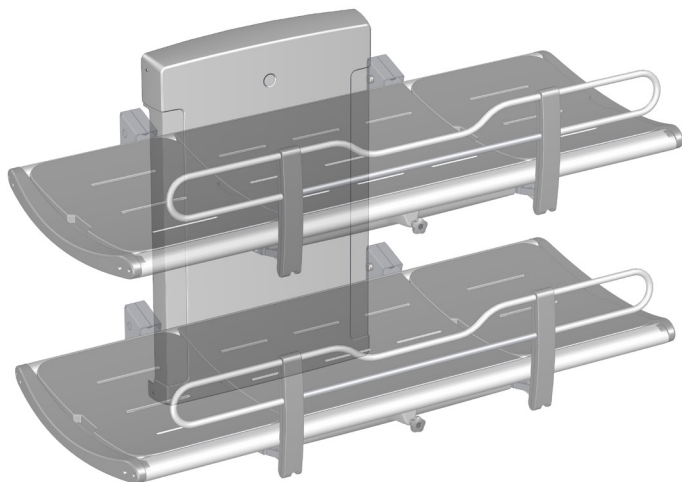
MERKNAD

Hvis låsene ikke løsner når du vrir på håndtaket, løfter du skinnen forsiktig for å ta vekten av låsemekanismen. Dette gjør at låsene løsner.



no

Høydejustering



Når bordet er montert i riktig høyde (anbefalt monteringshøyde er 868 mm over gulvet), kan det justeres mellom 300 og 1000 mm over gulvet.

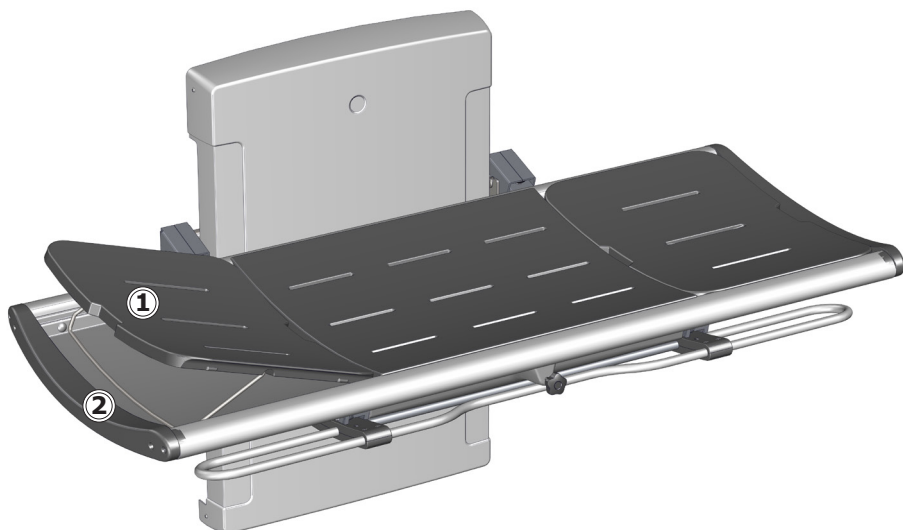
Høydejusteringen kontrolleres med den kablede fjernkontrollenheten.

Trykk på Opp-knappen og hold den inne for å heve bordet, og trykk på Ned-knappen og hold den inne for å senke bordet.



Pass på at det aldri er gjenstander under dusjstallebordet når du justerer høyden.

Nakkestøtte



Endeseksjonen av bordet kan brukes som nakkestøtte for økt komfort. Løft opp seksjonen ved å ta tak i grepet ①. Legg metallbraketten ned ② for å holde seksjonen i oppreist stilling.

Endeseksjonene kan byttes om og plasseres på begge ender av bordet.

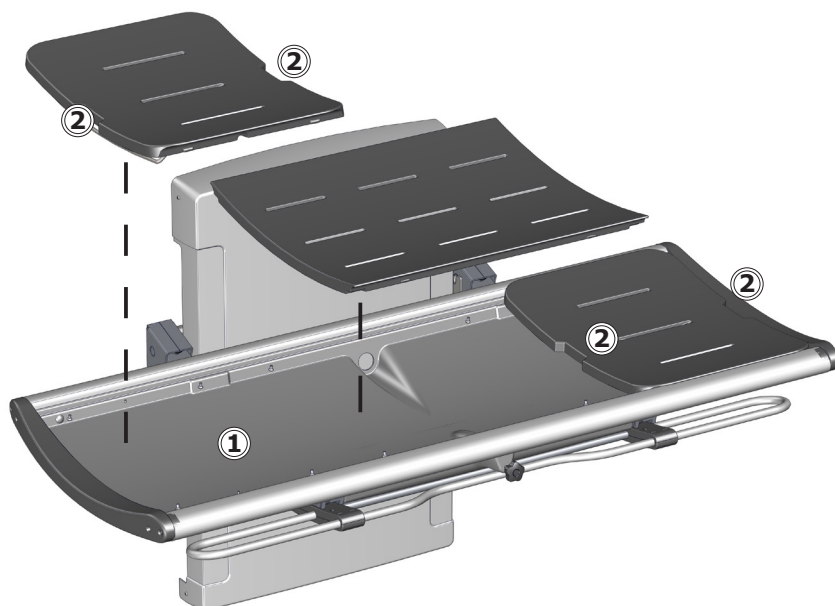


FORSIKTIG

La **aldri** en person ligge på dusjstøllebordet uten at seksjonene er på plass. Bakken under seksjonene er kun til vannoppsamling. Skal ikke brukes som badekar. Fare for skade på brukeren og på produktet.

Rengjøring

Rengjør dusjstillebordet etter hver bruk. Bruk vanlig såpevann. Skyll med rent vann og tørk med en myk klut.



Ikke la det være igjen vann på seksjonene. Fjern seksjonene og tørk vannopsamlingsbakken ①. Løft opp seksjonene ved å ta tak i grepene ②.

Slik fjerner du kalkavleiringer

Fjern kalkavleiringer fra aluminiumdeler ved å bruke 3 deler 30 % husholdningseddik til 7 deler vann, og tørk deretter av delene med en klut vridd opp i rent vann.

I land der det er mye kalk i vannet, kan det være nødvendig å fjerne kalkavleiringer fra aluminiumdeler ved å bruke et kalkfjerningsmiddel som eddiksyre. Test dette først på et område som ikke er synlig når bordet er i bruk.

no

Produktet skal rengjøres med varmt vann eller et mildt rengjøringsmiddel. Du finner en liste over passende rengjøringsmidler testet av Pressalit, på pressalit.com.

FORSIKTIG

Les alltid produktdatabladet (MSDS) og instruksjonene som følger med rengjørings-, desinfeksjons- eller kalkfjerningsmiddelet, og følg instruksjonene for sikker bruk, fortynning, skylling, tørking, håndtering og oppbevaring av middelet.

VIKTIG

- Ikke bruk autoklavering eller annen type damprengjøring.
- Unngå sterke rengjøringsmidler som inneholder syre.
- Spray aldri produktet direkte med en høytrykksspyler.
- Unngå bruk av skurende, korroderende eller klorbaserte rengjørings- eller desinfeksjonsprodukter.

Desinfeksjon

Hvis dusjstallebordet skal brukes på flere pasienter, må det både rengjøres og desinfiseres mellom hver pasient for å hindre risiko for kryssinfeksjon.

MERKNAD

Hvis produktet installeres i omgivelser med høyt salt- eller klorinnhold, reduseres garantien for dusjstallebordet fra 3 år til 1 år.

Salt og klor kan føre til korrosjon på produktets komponenter og vil føre til redusert produktlevetid. Skaden kan eventuelt reduseres ved å skylle produktet med vann fra springen daglig.

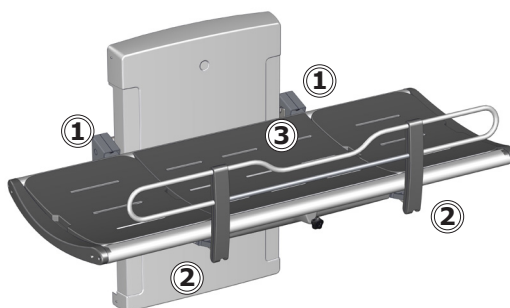
Vedlikehold

Forventet levetid for dusjstillebordet er 10 år for institusjonell bruk, forutsatt at det vedlikeholdes som beskrevet nedenfor:

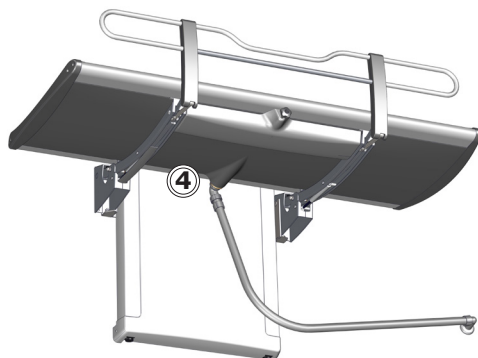
Det anbefales å kjøre motorene til maksimal posisjon ukentlig ved å heve produktet til full høyde og deretter senke det til laveste posisjon, slik at de innvendige delene smøres.

Det anbefales å utføre en vedlikeholdskontroll én gang i året.

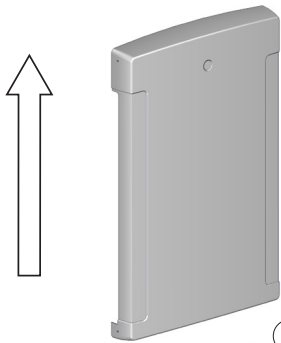
Vedlikeholdskontroll



- Kontroller hengslene ① på bordet og sikkerhetsskinnen ②. Stram til om nødvendig.
- Kontroller seksjonene ③ for skade, og skift dem ut om nødvendig.

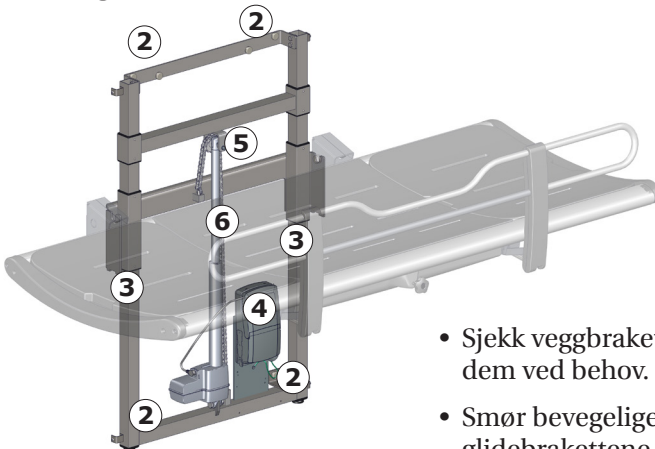
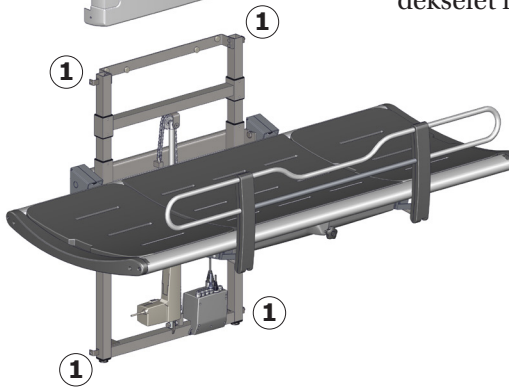


- Sjekk koblingene til avløpsslangen ④, og sjekk og rengjør vannlåsen (hvis montert).



Koble fra strømmen før du fjerner dekslene.

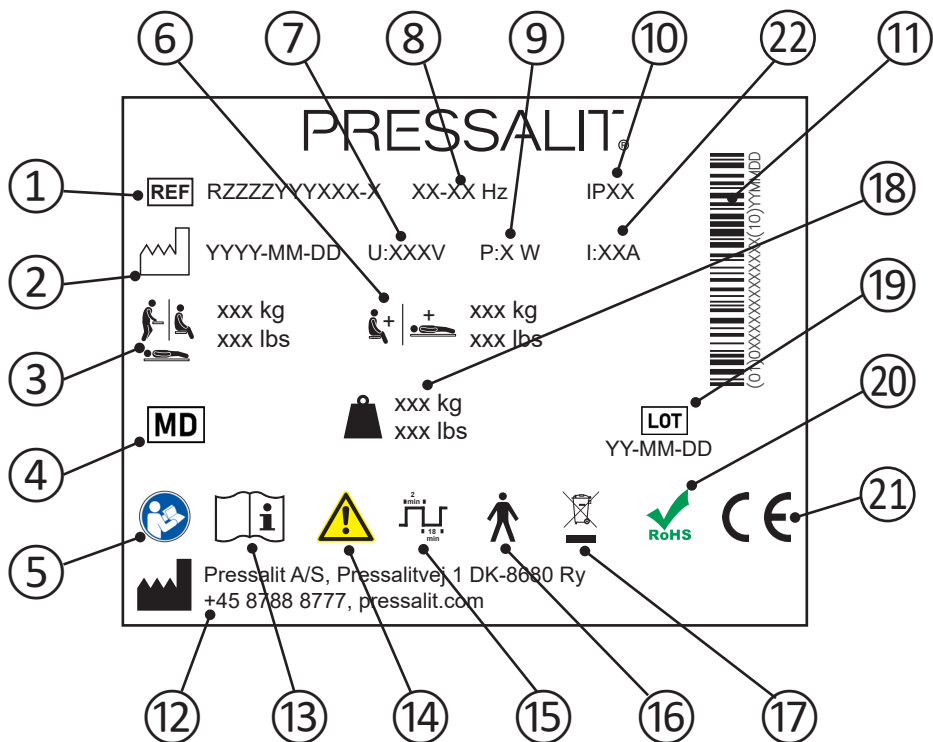
Fjern de øvre og nedre festeskruene ① fra løfteenhetens deksel og fjern dekselet forsiktig.



- Sjekk veggbrakettene ② og stram dem ved behov.
- Smør bevegelige deler, spesielt glidebrakettene ③.

- Sjekk alle elektriske koblinger til kontrollboksen ④.
- Sjekk kjedehjulet ⑤ for slitasje.
- Smør kjedet ⑥.
- Sett på plass dekselet igjen, og stram til festskruene.

Produktetikett



- ① Artikkelnnummer

- ② Produksjonsdato

- ③ Maksimal brukervekt

- ④ Medisinsk enhet

- ⑤ Se brukerhåndboken

- ⑥ Maks. last

- ⑦ Nettspenning

- ⑧ Frekvens

- ⑨ Maksimalt strømforbruk

no

⑩ IP-klasse

⑪ GS1-128-strekkode

⑫ Navn og adresse til produsent

⑬ Se brukerhåndboken

⑭ Se håndboken for viktig sikkerhetsinformasjon som advarsler og forholdsregler.

⑮ Driftssyklus

⑯ Anvendt del Type B. Ved normal bruk vil en del av produktet nødvendigvis komme i fysisk kontakt med pasienten, for at produktets funksjon skal kunne utføres. Produktet overholder kravene i IEC 60601-1 angående beskyttelse mot elektrisk støt.

⑰ Skal ikke kastes sammen med usortert husholdningsavfall. Dette produktet skal samles inn separat og returneres til den relevante gjenvinningstjenesten.

⑱ Produktvekt

⑲ Partikode

⑳ Dette produktet inneholder ingen av de farlige substansene som nevnes i rådsdirektiv 2011/65/EF om RoHS.

Disse produktene er CE-merket i samsvar med relevante krav i:

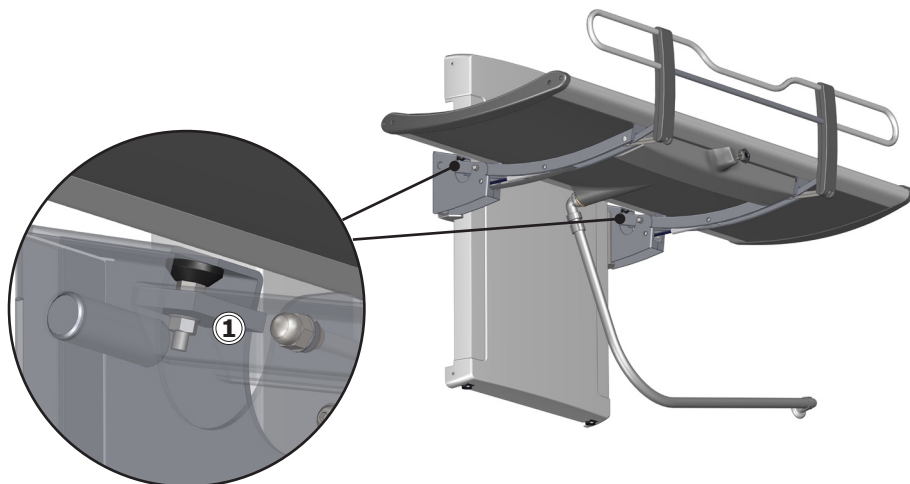
- Forordning (EU) 2017/745 (av 5. april 2017) om medisinsk utstyr.
- Rådsdirektiv 2006/42/EF (fra 17 mai 2006) om maskiner.
- Rådsdirektiv 2011/65/EF (fra 8 juni 2011) om RoHS.

Du finner en samsvarserklæring på pressalit.com

㉑ Elektrisk strøm

Feilsøking

Symptom	Årsak	Tiltak
Dusjstøllebordet holder seg ikke oppreist.	Én eller flere av gassylindrene er defekte.	Kontakt Pressalit A/S eller din lokale forhandler.
Produktet fungerer ikke, selv om fjernkontrollen brukes riktig.	Feil på strømforsyningen.	Sjekk at alle ledninger og plugger er intakte og riktig tilkoblet. Kontakt Pressalit A/S eller din lokale forhandler.
Vannet renner ikke ut av vannoppsamlingsbakken.	Justeringskruene er for stramme eller for slakke.	Juster justeringskruene ①.
Dusjstøllebordet heves og senkes ujevnt.	Glidebrakettene er ikke tilstrekkelig smurt.	Smør glidebrakettene som beskrevet i "Vedlikehold".



Kontakt Pressalit A/S eller forhandleren din hvis problemet vedvarer. Ikke prøv å reparere produktet selv, da dette vil gjøre garantien ugyldig.

Elektromagnetisk kompatibilitet

Enheten er egnet for bruk i hjemmet, i barnehager, på dagsentre for personer med fysiske eller psykiske funksjonshemninger eller på sykehus, bortsett fra i nærheten av aktivt HF-kirurgisk utstyr og RF-skjermede rom med medisinske systemer for magnetisk resonansavbildning med elektromagnetiske forstyrrelser med høy intensitet.

Enheten har ingen funksjon knyttet til grunnleggende sikkerhet eller vesentlig ytelse. Ved tap eller forringelse av ytelsen på grunn av elektromagnetiske forstyrrelser kan brukeren fortsatt komme seg av og på produktet.


Kabel	Lengde
Strømledning	3,2 m
Spiralkabel til håndkontroll	Ca. 5 m forlenget



- Bruk av andre tilbehør, transduasere og kabler enn det som er spesifisert eller levert av produsenten, kan føre til økt elektromagnetisk stråling eller redusert elektromagnetisk immunitet for dette utstyret og resultere i feilfunksjon.
- Bærbart RF-kommunikasjonsutstyr (inkludert periferiutstyr som antennekabler og eksterne antenner) bør ikke brukes nærmere enn 30 cm fra noen del av enheten, inkludert kablene, for å unngå redusert ytelse for denne enheten.
- Bruk av dette utstyret ved siden av eller stablet med annet utstyr bør unngås fordi det kan føre til feilfunksjon. Hvis slik bruk er nødvendig, bør dette utstyret og det andre utstyret observeres for å bekrefte at de fungerer normalt.

no

Elektromagnetisk immunitet

Elektrostatisk utladning	
	Produktet må ikke påvirkes av elektrisk utladning mellom en person og produktet på en slik måte at det igangsetter handlinger eller gjør komponenter defekte
Teststandard	Immunitetstestnivå
EN 61000-4-2	+/- 8 kV kontakt +/- 2, 4, 8, 15 kV luft

Utstrålt RF-elektromagnetisk felt	
	Produktet må ikke påvirkes av utstrålte RF-signaler, for eksempel fra mobiltelefon eller radio, som kan føre til at produktet igangsetter handlinger eller gjør komponenter defekte.
Teststandard	Immunitetstestnivå
EN 61000-4-3	15 V/m 80 MHz til 1000 MHz (kun på forsiden) 15 V/m 1,01 GHz til 3 GHz 80 % AM 1 kHz

Immunitet til nærhetsfelt fra trådløst RF-kommunikasjonsutstyr

Produktet må ikke påvirkes av utstrålte RF-signaler, for eksempel fra mobiltelefon eller radio, som kan føre til at produktet igangsetter handlinger eller gjør komponenter defekte

**Test-
standard****Immunitetstestnivå**

EN 61000-4-3*

385 MHz, 27 V/m, 18 Hz PM (50 % arbeidssyklus firkantbølge)
450 MHz, 28 V/m, FM +/- 5 kHz avvik, 1 kHz sinus
710 MHz, 9 V/m, 217 Hz PM (50 % arbeidssyklus firkantbølge)
745 MHz, 9 V/m, 217 Hz PM (50 % arbeidssyklus firkantbølge)
780 MHz, 9 V/m, 217 Hz PM (50 % arbeidssyklus firkantbølge)
810 MHz, 28 V/m, 18 Hz PM (50 % arbeidssyklus firkantbølge)
870 MHz, 28 V/m, 18 Hz PM (50 % arbeidssyklus firkantbølge)
930 MHz, 28 V/m, 18 Hz PM (50 % arbeidssyklus firkantbølge)
1720 MHz, 28 V/m, 217 Hz PM (50 % arbeidssyklus firkantbølge)
1845 MHz, 28 V/m, 217 Hz PM (50 % arbeidssyklus firkantbølge)
1970 MHz, 28 V/m, 217 Hz PM (50 % arbeidssyklus firkantbølge)
2450 MHz, 28 V/m, 217 Hz PM (50 % arbeidssyklus firkantbølge)
5240 MHz, 9 V/m, 217 Hz PM (50 % arbeidssyklus firkantbølge)
5500 MHz, 9 V/m, 217 Hz PM (50 % arbeidssyklus firkantbølge)
5785 MHz, 9 V/m, 217 Hz PM (50 % arbeidssyklus firkantbølge)

Elektriske raske transienter / brister


Produktet må ikke påvirkes av raske pulssignaler som kommer inn gjennom ledningen. Dette kan føre til at komponentene blir defekte, eller at produktet kan sette i gang handlinger.

**Test-
standard****Immunitetstestnivå**

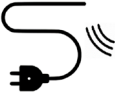
EN 61000-4-4

+/- 1 kV, +/- 2 kV
100 kHz repetisjonsfrekvens

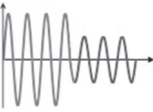
Immunitet mot spenningstopp

	Produktet må ikke påvirkes til å igangsette handlinger eller gjøre komponenter defekte som følge av lynnedslag.
Test-standard	Immunitetstestnivå
EN 61000-4-5	Linje-til-linje: +/- 0,5 kV, +/- 1 kV Linje-til-jord: +/- 0,5 kV, +/- 1 kV, +/- 2 kV

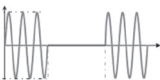
Immunitet mot ledningsforstyrrelser induisert av RF-felt

	Ledningene må ikke påvirkes av andre RF-felt for å sette i gang handlinger eller gjøre komponenter defekte.
Test-standard	Immunitetstestnivå
EN 61000-4-6	3 V (6 V i ISM-bånd og amatør radiobånd) 0,15 til 80 MHz, 80 % AM ved 1 kHz

Spenningsfall


	Produktet må ikke igangsette eller begrense handlinger som følge av spenningsfall i strømforsyningen.
Test-standard	Immunitetstestnivå
EN 61000-4-11	0 % U _T ; 0,5 syklus ved 0°, 45°, 90°, 135°, 180°, 225°, 270° og 315°, 0 % U _T ; 1 syklus ved 0°, 70 % U _T ; 25 sykluser ved 0° Énfaset ved 0°


Spenningsavbrudd


	Produktet må ikke igangsette eller begrense handlinger som følge av korte avbrudd i strømforsyningen.
Test-standard	Immunitetstestnivå
EN 61000-4-11	0 % U _T ; 300 sykluser

no

Elektromagnetisk utslipp

Ledet RF-utslipp	
	Produktet må ikke sende for mye støy inn i nettet. Dette kan føre til forstyrrelser av andre produkter.
Teststandard	Utslippstestklasse og -gruppe
EN 55011	Klasse B, gruppe 1

Utstrålt RF-utslipp	
	Produktet må ikke sende ut RF-signaler i rommet. Dette kan føre til forstyrrelser av andre produkter.
Teststandard	Utslippstestklasse og -gruppe
EN 55011	Klasse B, gruppe 1

Harmoniske strømutslipp	
	Produktet må ikke utilsiktet trekke strøm fra nettet.
Teststandard	Utslippstestklasse og -gruppe
IEC 61000-3-2	Klasse A

Spenningsendringer, spenningsvingninger og flimrer	
	Produktet må ikke påvirke andre produkter når det er koblet til nettet. Dette kan for eksempel være lamper som kan begynne å blinke og dermed plager mennesker i rommet.
Teststandard	Utslippstestklasse og -gruppe
EN 61000-3-3	Testet i henhold til standarden.

Kassering og gjenvinning

Enheten inneholder materiale som kan gjenvinnes. Det er ingen kjente farer eller risikoer forbundet med avhending av produktet. Alle komponenter kan kasseres når de er blitt rengjort og desinfisert.

Når produktet avhendes, anbefaler vi at det demonteres og sorteres i ulike avfallsgrupper for gjenvinning eller forbrenning.

Den følgende tabellen gir informasjon om gjenvinning og håndtering av produktet.

Komponenter som kan gjenvinnes	Materiale
Aluminium	Aluminium er teoretisk sett 100 % gjenvinnbart uten tap av naturlige egenskaper. Dette krever kun 5 % av den energien som forbrukes ved produksjon av primæraluminium. Kvaliteten på gjenvunnet aluminium er så høy at det kan brukes igjen og igjen, selv om det gjelder anodiserte produkter, siden det anodiserte laget er en naturlig del av aluminium.
Stål	Stål kan gjenvinnes ved at det omsmeltes og inkluderes som et sekundærmateriale ved produksjon av nytt stål.
PVC og polystyren	Hard PVC er granulert og omsmeltet. Bruk plastsorterings- og -gjenvinningsystemer hvis slike finnes tilgjengelig lokalt. Hvis ikke, kan plasten brennes, noe som genererer ny energi som for eksempel kan brukes ved kombinert varme- og kraftproduksjon.
Polyuretan	I likhet med andre plastmaterialer kan polyuretan gjenvinnes på to måter: mekanisk gjenvinning, der materialet brukes på nytt i sin polymerform, og ved kjemisk gjenvinning, der materialet tilbakeføres til sine ulike kjemiske bestanddeler.
Elektronikk	De elektroniske komponentene skal samles inn separat og returneres til den relevante gjenvinningstjenesten.

no

Contenido

Instrucciones de montaje	156
Guía visual de funcionamiento	156
Símbolos utilizados en este manual	157
Seguridad general	158
Uso previsto	159
Perfil de operador previsto	159
Perfil de usuario previsto	159
Entorno de funcionamiento	159
Contraindicaciones de uso	159
Biocompatibilidad	159
Instrucciones de funcionamiento	160
Regulación de la altura	162
Reposacabezas	163
Limpieza	164
Para eliminar los restos de cal	164
Desinfección	165
Mantenimiento	166
Inspección de mantenimiento	166
Etiqueta del producto	168
Solución de problemas	170
Compatibilidad electromagnética	171
Inmunidad electromagnética	172
Emisión electromagnética	175
Eliminación y reciclaje	176

Instrucciones de montaje



Este producto incluye instrucciones de montaje. Si lo prefiere, puede descargarlas desde pressalit.com.

Guía visual de funcionamiento



Este producto incluye una guía visual de funcionamiento. Si lo prefiere, puede descargarlas desde pressalit.com.

Símbolos utilizados en este manual

Los símbolos siguientes se utilizan en el presente manual y en la documentación complementaria suministrada con el producto.

				<p>ADVERTENCIA indica una posible situación de peligro que, de no evitarse, podría provocar la muerte o lesiones graves.</p>
				<p>ATENCIÓN indica una posible situación de peligro que, de no evitarse, podría provocar lesiones leves o moderadas. También puede utilizarse para advertir de prácticas inseguras.</p>
				<p>IMPORTANTE indica información importante sobre la manipulación y la utilización del producto.</p>
				<p>AVISO se utiliza para hacer referencia a prácticas no relacionadas con la seguridad personal.</p>
				
Advertencia de posibles lesiones en las manos	Advertencia de posibles lesiones en la cabeza	Advertencia de tensiones/ corrientes eléctricas	Otras advertencias específicas	
				
Productos compatibles	Piezas de repuesto	Especificaciones de alimentación	Símbolos relacionados con la CEM	
				
Indicación de peso	Peso máx. del usuario	Número/Versiones de artículo	No deje al paciente sin supervisión	

es

Seguridad general



ADVERTENCIA

- Lea todo el manual y asegúrese de entenderlo antes de cualquier uso. Mantenga el manual cerca de la unidad.
- Siga las indicaciones del manual para evitar accidentes que podrían ocasionar daños personales graves.
- No utilice ni manipule nunca el producto de forma distinta a como se especifica en el manual, ya que podría resultar peligroso y provocar daños en el producto.
- Asegúrese de que las personas que vayan a instalar o utilizar el producto y sus sistemas pueden acceder a este manual y disponen de la información necesaria.



ATENCIÓN

- Siga estas instrucciones para evitar dañar o destruir el producto.
- No lleve a cabo reparaciones ni operaciones de montaje y desmontaje, no instale extensiones ni reajuste o modifique el producto. Todas estas operaciones deben ser realizadas solamente por Pressalit o personas autorizadas por Pressalit.
- No deje nunca que los niños manipulen el producto sin supervisión. El producto no ha sido diseñado para el juego.
- No utilice nunca el producto si está defectuoso o dañado. No utilice nunca un producto defectuoso hasta que haya sido reparado.

AVISO

- La información contenida en este manual se basa en el ajuste correcto del producto según nuestras instrucciones de montaje.
- Pressalit no se hace responsable de la utilización del producto de manera diferente a la descrita en la guía.
- Nos reservamos el derecho de modificar este manual sin previo aviso.

Uso previsto

Este producto se ha diseñado para duchar/cambiar a personas que no pueden mantenerse en pie o sentarse. La persona permanece horizontal en la camilla de ducha.

Perfil de operador previsto

El producto debe utilizarlo únicamente personal formado en asistencia sanitaria y/o en el aseo/cambio asistencial.

Perfil de usuario previsto

El producto puede ser utilizado con cualquier persona (adultos, niños, jóvenes y ancianos) cuyo peso no supere la **carga máxima de 200 kg.**

Entorno de funcionamiento

Para uso en interiores de ambientes húmedos tales como baños o zonas de aseo. El producto está diseñado para ser utilizado a temperatura ambiente en casas privadas, centros de cuidado para personas mayores y hospitales en condiciones de trabajo normales.

Contraindicaciones de uso

El uso de la unidad no está recomendado para pacientes con bomba de infusión o insulina, enfermedades inflamatorias de la piel o pacientes en condiciones febriles.

En la unidad solo se podrá asistir a pacientes con insuficiencia cardíaca, enfermedades cardiovasculares, lesiones craneocerebrales, heridas abiertas, sondas de alimentación o drenaje (p. ej. catéter, tubo de drenaje) tras haber consultado con el médico responsable.

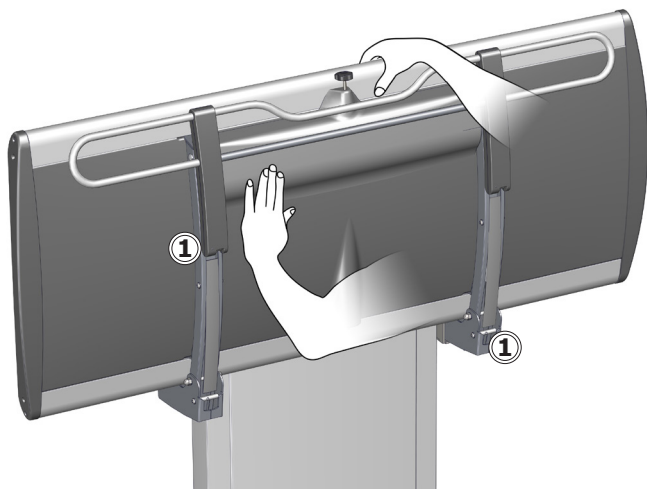
Biocompatibilidad

El material en contacto con la piel del usuario durante el uso previsto ha sido evaluado por su contenido de sustancias nocivas de acuerdo con los procedimientos de la norma UNE-EN ISO 10993-1:2021 Evaluación biológica de productos sanitarios. Parte 1, por lo tanto, se considera apto para su finalidad.



La superficie del producto puede estar caliente y/o fría si se expone a fuentes de calor o frío externas (p. ej., luz solar o escarcha).

Instrucciones de funcionamiento



Sujete la camilla con la mano o el cuerpo cuando la pliegue hacia arriba y hacia abajo para evitar daños.

Los cilindros de gas integrados facilitan el plegado hacia la pared después de su uso.



Extreme la precaución para evitar lesionarse las manos alrededor de los cierres mecánicos ①.

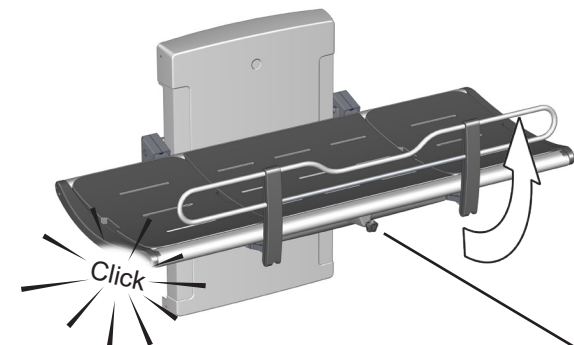


ATENCIÓN

Extreme siempre la precaución a la hora de trasladar a una persona al cambiador o de bajarla.

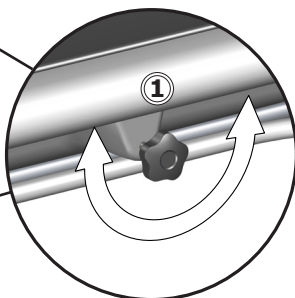
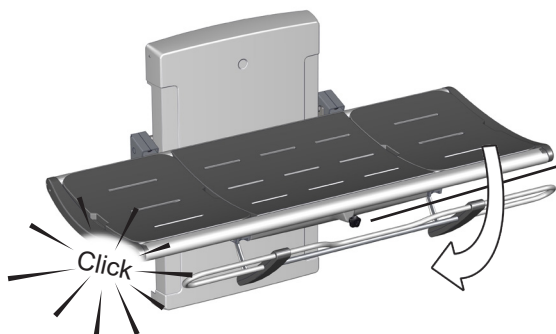
AVISO

Debe informarse al fabricante y a las autoridades sanitarias de cualquier incidente grave que haya ocurrido en relación con el producto.



Para levantar la barra de seguridad:

Gire el mando de bloqueo ① en cualquier sentido para liberar la barra de seguridad. Levante la barra de seguridad hasta que escuche un clic que indique que está bloqueada.

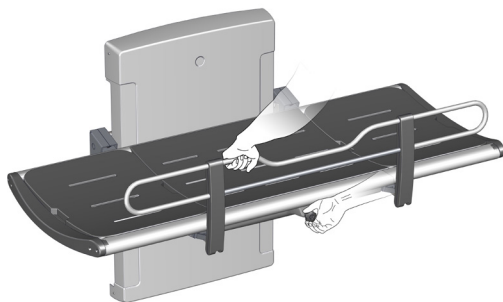


Para bajar la barra de seguridad:

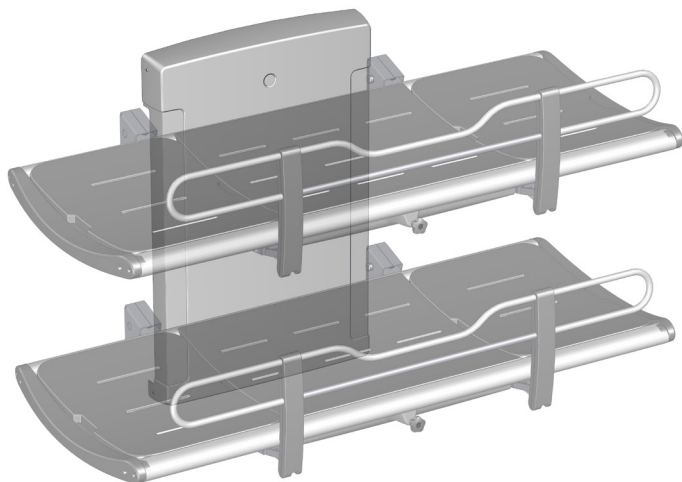
Gire el mando de bloqueo ① en cualquier sentido para liberar la barra de seguridad. Empuje la barra de seguridad de nuevo a la parte inferior de la camilla hasta que oiga un clic que indique que está bloqueada.

AVISO

Si los bloqueos no se liberan al girar el mando de desbloqueo, levante suavemente la barra para retirar el peso del mecanismo de bloqueo. Esto asegurará la liberación de los bloqueos.



Regulación de la altura



Si la camilla se instala a la altura correcta (la altura de instalación recomendada es de 868 mm sobre el nivel del suelo), se puede regular entre 300 y 1.000 mm sobre el nivel del suelo.

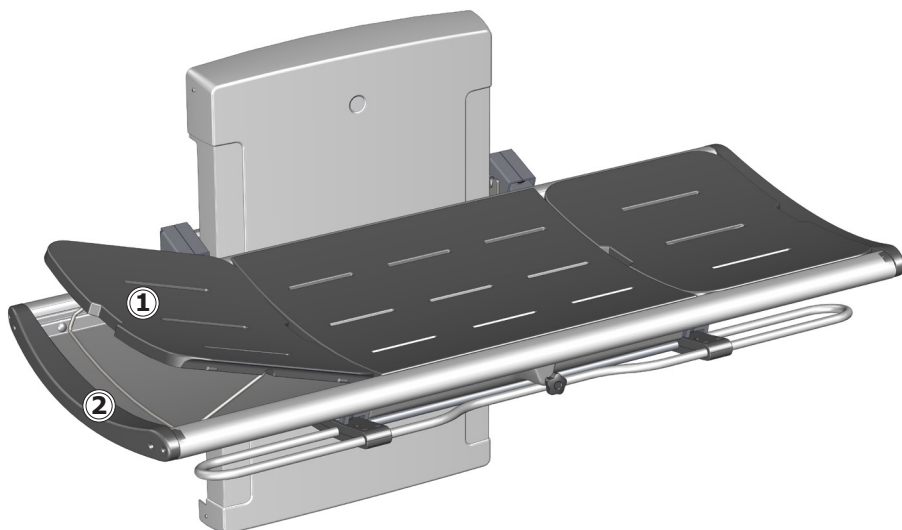
El ajuste de la altura se controla remotamente con una unidad de control remota con cable.

Pulse y mantenga pulsado el botón de subida para subir el cambiador o el botón de bajada para bajarlo.



Asegúrese de que no haya ningún objeto debajo de la camilla de ducha mientras se regula la altura.

Reposacabezas



La plataforma situada en el extremo puede utilizarse como reposacabezas para mayor comodidad.

Utilice la muesca de agarre ① para levantar la plataforma. Despliegue el soporte metálico ② para mantener la plataforma en posición vertical.

Las plataformas de los extremos son intercambiables y pueden colocarse en cualquiera de los extremos de la camilla.



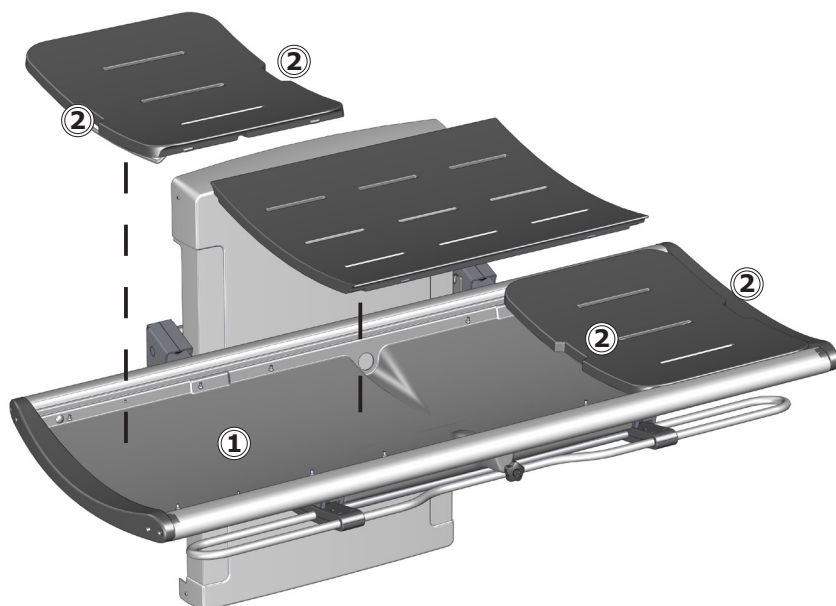
ATENCIÓN

No permita que nadie se estire en la camilla de ducha si no se han instalado las plataformas. La bandeja situada debajo de las plataformas se utiliza únicamente para recoger el agua. No debe utilizarse como bañera. Existe riesgo de lesiones para el usuario y daños en el producto.

es

Limpeza

Limpe la camilla de ducha después de cada uso. Utilice agua jabonosa. Aclare con agua corriente y séquela con un paño suave.



No deje las plataformas mojadas. Retírelas y seque los restos del depósito de recogida de agua ①. Utilice las muescas de agarre ② para levantar las plataformas.

Para eliminar los restos de cal

Para eliminar las marcas de cal de los componentes de aluminio, utilice una solución de 3 partes de vinagre de cocina al 30 % y 7 partes de agua y luego seque los componentes con un paño bien escurrido en agua limpia.

En países con unos niveles relativamente altos de cal en el suministro de agua, puede ser necesario eliminar los depósitos de cal de las piezas de aluminio mediante agentes descalcificadores como el ácido acético. Pruebe primero en una zona no visible mientras utiliza la camilla.

Limpie el producto con agua caliente o con un agente de limpieza jabonoso suave. Encontrará una lista de agentes limpiadores probados por Pressalit en pressalit.com.

ATENCIÓN

Lea siempre las hojas de datos de seguridad (MSDS) y las instrucciones suministradas de limpieza, desinfección o del agente descalcificador y siga las instrucciones de uso seguro, dilución, aclarado, secado, manipulación y almacenamiento del agente.

IMPORTANTE

- No utilice sistemas de autoclave ni ningún otro tipo de limpieza a vapor.
- Evite los agentes limpiadores agresivos que contengan ácidos.
- Nunca pulverice el producto directamente con limpiadores de alta presión.
- Evite el uso de productos de limpieza o desinfectantes abrasivos, corrosivos o que contengan cloro.

Desinfección

Si la camilla de ducha se utiliza para varios pacientes, es necesario limpiarla y desinfectarla entre los usos con cada paciente para evitar el riesgo de infecciones cruzadas.

AVISO

Si el producto se instala en un ambiente salino o con mucho cloro, la garantía de la camilla de ducha se reducirá de los 3 años habituales a 1 año.

La sal y el cloro tienen un efecto corrosivo sobre los componentes del producto que reduce la expectativa de vida del producto. Sin embargo, los efectos nocivos pueden mitigarse si el producto se limpia diariamente con agua corriente.

es

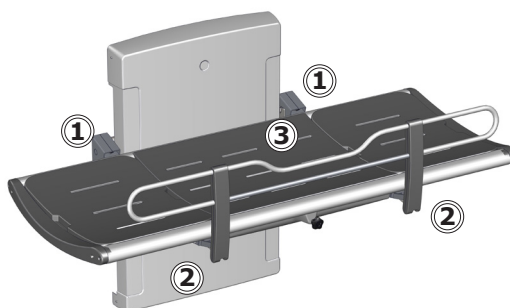
Mantenimiento

La vida útil esperada de la camilla de ducha es de 10 años para uso institucional, siempre y cuando el mantenimiento se realice tal y como se describe a continuación:

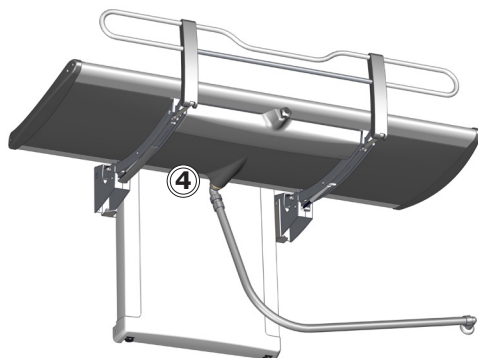
Se recomienda hacer funcionar los motores del producto hasta las posiciones máximas una vez a la semana; para hacerlo, eleve el producto hasta su altura máxima y luego bájelo hasta la posición más baja para que se lubriquen los componentes internos.

Se recomienda realizar una inspección de mantenimiento al año.

Inspección de mantenimiento

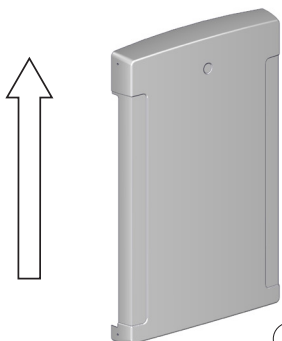


- Revise los dispositivos de montaje ① de la camilla y la barra de seguridad ②. Ajustelas si es preciso.



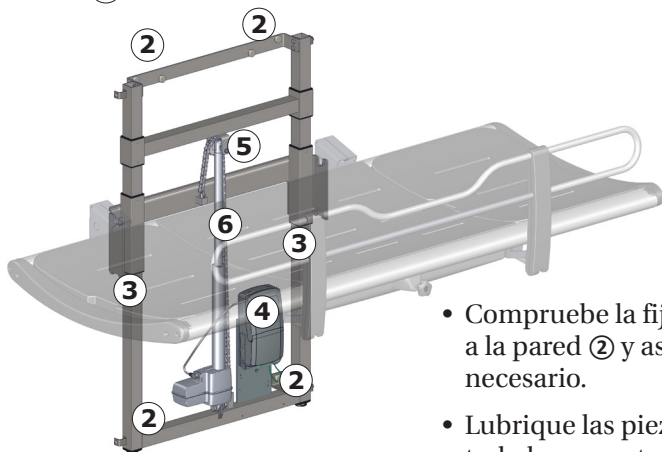
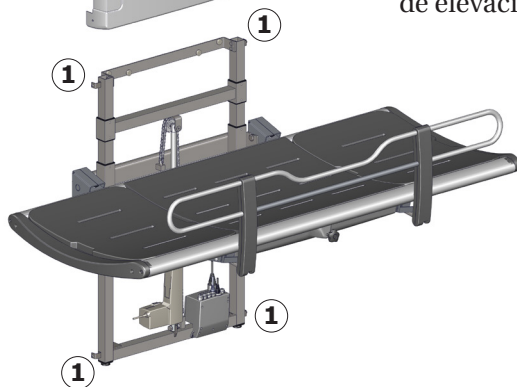
- Compruebe que las plataformas ③ no estén dañadas y sustitúyalas si es necesario.
- Revise la conexión de la tubería de drenaje ④ y revise y limpie el colector de agua (si está instalado).

es



Desconecte la electricidad antes de retirar las cubiertas.

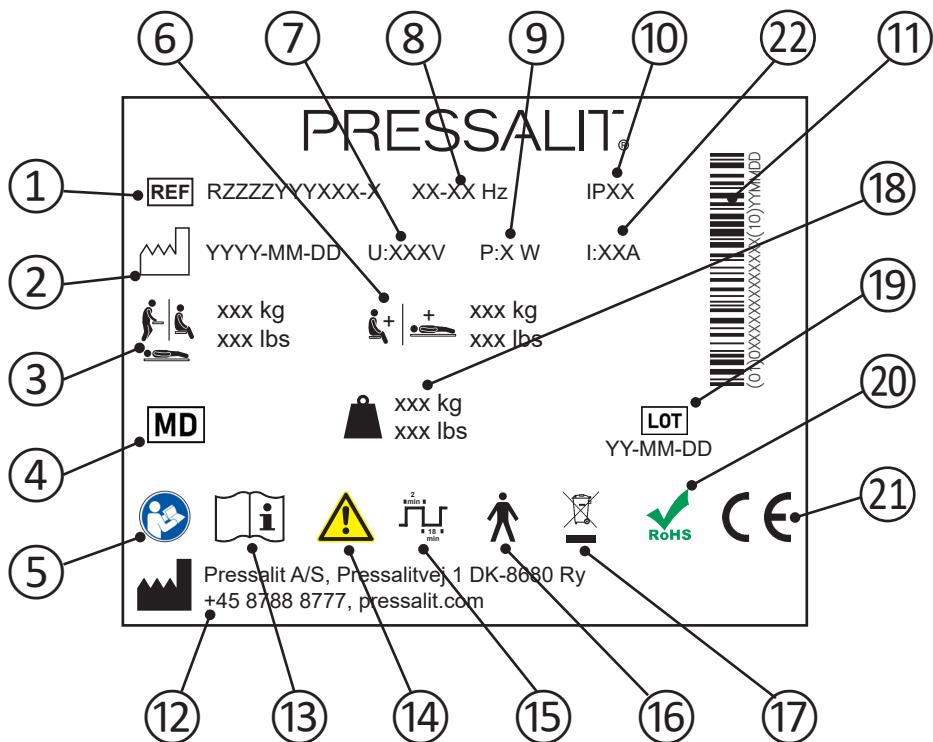
Quite los tornillos de fijación superiores e inferiores ① del sistema de elevación y retire la cubierta.



- Compruebe la fijación de montaje a la pared ② y asegúrela si es necesario.
- Lubrique las piezas móviles, sobre todo los soportes deslizables ③.

- Revise las conexiones eléctricas de la caja de control ④.
- Revise la rueda dentada ⑤ para detectar signos de desgaste.
- Lubrique la cadena ⑥.
- Vuelva a colocar la cubierta y sujétela con los tornillos de fijación.

Etiqueta del producto



- ① Número de artículo

- ② Fecha de fabricación

- ③ Peso máximo del usuario

- ④ Producto sanitario

- ⑤ Consulte el manual de uso

- ⑥ Carga máxima

- ⑦ Voltaje

- ⑧ Frecuencia

- ⑨ Consumo máximo de energía

es

⑩ Clase IP

⑪ Código de barras GS1-128

⑫ Nombre y dirección del fabricante

⑬ Consulte el manual de uso

⑭ Consulte el manual para conocer la información de precaución importante como las advertencias y las precauciones.

⑮ Ciclo de trabajo

⑯ Pieza aplicada de tipo B. Parte del producto entra en contacto físico con el paciente durante su uso normal. El producto cumple los requisitos de la normativa IEC 60601-1 para garantizar la protección frente a descargas eléctricas.

⑰ No deseche el producto como residuo urbano no seleccionado. El producto debería recogerse por separado y ser trasladado al centro de reciclaje designado.

⑱ Indicación de peso

⑲ Código de lote

⑳ Este producto no contiene sustancias peligrosas mencionadas en la Directiva 2011/65/CE del Consejo sobre RoHS.

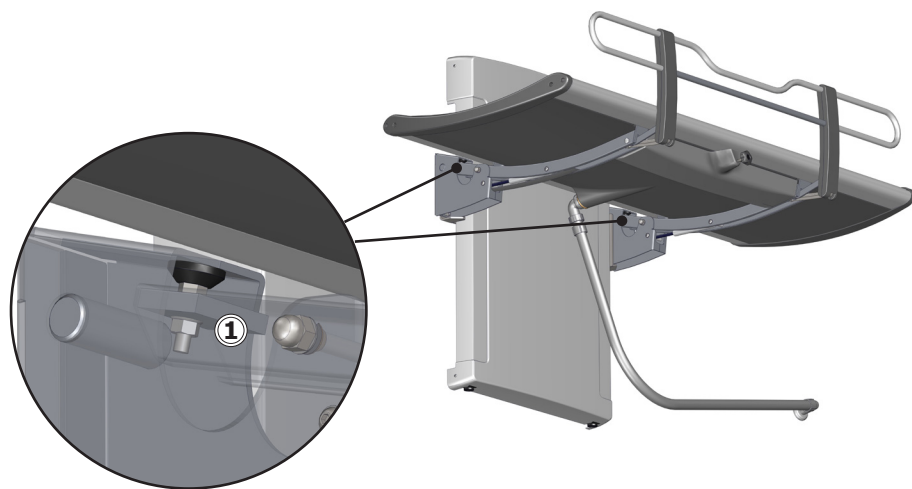
Estos productos tienen la marca CE de acuerdo con los requisitos relevantes en:

- ㉑
- Reglamento (UE) 2017/745 (de 5 de abril de 2017) sobre los productos sanitarios.
 - La Directiva 2006/42/CE (del 17 de mayo de 2006) sobre maquinaria.
 - La Directiva 2011/65/CE (del 8 de junio de 2011) sobre RoHS.
- Puede encontrar la declaración de conformidad en pressalit.com
-

㉒ Corriente eléctrica

Solución de problemas

Síntoma	Causa	Acción
La camilla de ducha no se mantiene en posición vertical.	Hay uno o más cilindros de gas defectuosos.	Póngase en contacto con Pressalit A/S o su distribuidor local.
El producto no funciona a pesar de que el control remoto se utiliza correctamente.	Error del suministro de corriente.	Compruebe que todos los cables y enchufes estén en buen estado y conectados correctamente. Póngase en contacto con Pressalit A/S o su distribuidor local.
El agua se queda estancada en el depósito de recogida de agua.	Los tornillos de ajuste están demasiado altos o bajos.	Ajuste los tornillos de ajuste ①.
La camilla de ducha sube y baja de forma irregular.	Los soportes deslizables no están bien lubricados.	Lubrique los soportes deslizables como se describe en el apartado "Mantenimiento".



Póngase en contacto con Pressalit A/S o su distribuidor si no logra solucionar el problema. No intente reparar el producto usted mismo, ya que anularía la garantía.

Compatibilidad electromagnética

El dispositivo es apto para uso doméstico, en centros de asistencia, en centros de día para personas con discapacidades físicas o mentales o en hospitales, excepto cerca de equipos quirúrgicos de alta frecuencia activos y salas blindadas de RF con sistemas médicos para imágenes de resonancia magnética con alta intensidad de perturbaciones electromagnéticas.

El dispositivo no dispone de ninguna función relacionada con la seguridad o el rendimiento básico. En caso de pérdida o deterioro del rendimiento provocados por perturbaciones electromagnéticas, el usuario seguirá pudiendo subir y bajar del producto.


Cable	Longitud
Cable de energía	3,2 m
Cable espiral de control manual	Aprox. 5 m extendido




ADVERTENCIA

- El uso de accesorios, transductores y cables distintos de los especificados o proporcionados por el fabricante podría provocar un aumento de las emisiones electromagnéticas o una disminución de la inmunidad electromagnética de este equipo y provocar un funcionamiento incorrecto.
- Los equipos de comunicación por RF portátiles (incluidos periféricos como cables de antena o antenas externas) no deben utilizarse a menos de 30 cm de cualquier parte de la unidad, incluidos los cables, para evitar cualquier tipo de degradación del rendimiento de la unidad.
- Debe evitarse el uso del equipo junto a otros equipos, o montado encima o debajo de otros equipos, puesto que podría dejar de funcionar correctamente. Si tal uso es necesario, este equipo y los demás equipos deben ser observados para verificar que funcionan con normalidad.

Inmunidad electromagnética

Descarga electrostática	
	El producto no debe verse afectado por descargas eléctricas entre la persona y el producto de tal manera que se inicien acciones o los componentes resulten defectuosos.
Normativa de prueba	Nivel de prueba de inmunidad
EN 61000-4-2	+/- 8 kV por contacto +/- 2, 4, 8, 15 kV en el aire

Campo electromagnético de RF radiado	
	El producto no debe verse afectado por la radiación de señales de RF como, por ejemplo, teléfonos móviles o radios, ya que este tipo de señales solo hacen que el producto se active o que los componentes resulten defectuosos.
Normativa de prueba	Nivel de prueba de inmunidad
EN 61000-4-3	15 V/m, de 80 Mhz a 1.000 MHz (solo en la parte delantera) 15 V/m, de 1,01 GHz a 3 GHz 80 % AM 1 kHz

Inmunidad a campos de proximidad de equipos de comunicación inalámbrica por RF



El producto no debe verse afectado por la radiación de señales de RF como, por ejemplo, teléfonos móviles o radios, ya que este tipo de señales solo hacen que el producto se active o que los componentes resulten defectuosos.

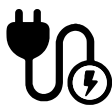
Normativa de prueba

EN 61000-4-3*

Nivel de prueba de inmunidad

385 MHz, 27 V/m, 18 Hz PM (onda cuadrada de ciclo de trabajo del 50 %)
450 MHz, 28 V/m, desviación FM +/- 5 kHz, onda sinusoidal de 1 kHz
710 MHz, 9 V/m, 217 Hz PM (onda cuadrada de ciclo de trabajo del 50 %)
745 MHz, 9 V/m, 217 Hz PM (onda cuadrada de ciclo de trabajo del 50 %)
780 MHz, 9 V/m, 217 Hz PM (onda cuadrada de ciclo de trabajo del 50 %)
810 MHz, 28 V/m, 18 Hz PM (onda cuadrada de ciclo de trabajo del 50 %)
870 MHz, 28 V/m, 18 Hz PM (onda cuadrada de ciclo de trabajo del 50 %)
930 MHz, 28 V/m, 18 Hz PM (onda cuadrada de ciclo de trabajo del 50 %)
1720 MHz, 28 V/m, 217 Hz PM (onda cuadrada de ciclo de trabajo del 50 %)
1845 MHz, 28 V/m, 217 Hz PM (onda cuadrada de ciclo de trabajo del 50 %)
1970 MHz, 28 V/m, 217 Hz PM (onda cuadrada de ciclo de trabajo del 50 %)
2450 MHz, 28 V/m, 217 Hz PM (onda cuadrada de ciclo de trabajo del 50 %)
5240 MHz, 9 V/m, 217 Hz PM (onda cuadrada de ciclo de trabajo del 50 %)
5500 MHz, 9 V/m, 217 Hz PM (onda cuadrada de ciclo de trabajo del 50 %)
5785 MHz, 9 V/m, 217 Hz PM (onda cuadrada de ciclo de trabajo del 50 %)

Transitorios/Ráfagas eléctricos rápidos



El producto no debe verse afectado por señales de pulso rápidas del cable. Esto podría provocar que los componentes resulten defectuosos o que el producto inicie acciones.

Normativa de prueba


EN 61000-4-4

Nivel de prueba de inmunidad

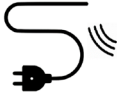
+/- 1 kV, +/- 2 kV
Frecuencia de repetición de 100 kHz

es

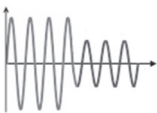
Inmunidad a sobretensiones

	El producto no debe verse afectado para iniciar acciones o provocar que los componentes resulten defectuosos como resultado de un rayo.
Normativa de prueba	Nivel de prueba de inmunidad
EN 61000-4-5	Línea a línea: +/- 0,5 kV, +/-1 kV Línea a tierra: +/- 0,5 kV, +/-1 kV, +/- 2 kV


Inmunidad a alteraciones conducidas inducidas por campos de RF

	Los cables no deben verse afectados por otros campos de RF de manera que inicien acciones o provoquen que los componentes resulten defectuosos.
Normativa de prueba	Nivel de prueba de inmunidad
EN 61000-4-6	3 V (6 V en bandas ISM y bandas de radioaficionados) de 0,15 a 80 MHz, 80 % AM a 1 kHz


Caídas de tensión


	El producto no debe iniciar ni limitar acciones como resultado de una caída del suministro de corriente.
Normativa de prueba	Nivel de prueba de inmunidad
EN 61000-4-11	0 % U_T ; 0,5 ciclos a 0°, 45°, 90°, 135°, 180°, 225°, 270° y 315°, 0 % U_T ; 1 ciclo a 0°, 70 % U_T ; 25 ciclos a 0° Monofásico a 0°


Interrupciones de voltaje


	El producto no debe iniciar ni limitar acciones como resultado de una parada breve del suministro de corriente.
Normativa de prueba	Nivel de prueba de inmunidad
EN 61000-4-11	0 % U_T ; 300 ciclos

Emisión electromagnética

Emisión de RF conducida	
	El producto no debe enviar demasiado ruido a la red. Eso podría provocar la interrupción de otros productos.
Normativa de prueba	Clase y grupo de prueba de emisiones
EN 55011	Clase B, grupo 1

Emisión de RF radiada	
	El producto no debe emitir señales de RF en la habitación. Esto podría provocar perturbaciones en otros productos.
Normativa de prueba	Clase y grupo de prueba de emisiones
EN 55011	Clase B, grupo 1

Emisiones de corrientes armónicas	
	El producto no debe consumir energía de la red de forma involuntaria.
Normativa de prueba	Clase y grupo de prueba de emisiones
IEC 61000-3-2	Clase A

Cambios de voltaje, fluctuaciones de voltaje y parpadeo	
	El producto no debe afectar a otros productos cuando está conectado a la red. Por ejemplo, podría haber luces que comiencen a parpadear y, por lo tanto, molestar a las personas en la habitación.
Normativa de prueba	Clase y grupo de prueba de emisiones
EN 61000-3-3	Probado según la normativa.

Eliminación y reciclaje

La unidad contiene materiales reutilizables. No se conocen peligros o riesgos relacionados con la eliminación del producto. Todos los componentes pueden ser desechados una vez limpiados y desinfectados.

Para eliminar el producto, se recomienda desmontarlo y separar sus piezas en diferentes grupos de residuos para su reciclaje o combustión.

En la siguiente tabla encontrará información sobre el reciclaje y la gestión del producto.

Componentes reciclables	Material
Aluminio	Teóricamente, el aluminio es 100 % reciclable sin perder sus propiedades naturales. Tan solo se requiere un 5 % de la energía utilizada para producir el aluminio primario. La calidad del aluminio reciclado es tan alta que puede utilizarse de forma indefinida, incluso en productos anodizados, ya que la capa anodizada es parte natural del aluminio.
Acero	El acero puede reciclarse mediante refundido e incluirse en un material secundario para la producción de acero nuevo.
PVC y poliestireno	El PVC duro es granulado y refundido. Utilice los sistemas de clasificación y reciclaje disponibles localmente; si no los hubiera, la incineración de plástico tiene el beneficio añadido de generar energía, que puede utilizarse para la producción combinada de calor y energía.
Poliuretano	Al igual que otros plásticos, el poliuretano puede reciclarse de dos formas: reciclaje mecánico, que reutiliza el material en forma de polímero, y reciclaje químico, que reconstituye los diferentes elementos químicos del material.
Componentes electrónicos	Los componentes electrónicos deberían recogerse por separado y ser trasladados al centro de reciclaje designado.

es

Spis treści

Instrukcja montażu	177
Oznakowanie operacyjne	177
Symbole używane w niniejszej instrukcji	178
Ogólne wskazówki bezpieczeństwa	179
Użytkowanie zgodne z przeznaczeniem	180
Profil zamierzonego operatora	180
Profil zamierzonego użytkownika	180
Środowisko użytkowania	180
Przeciwwskazania do stosowania	180
Biozgodność	180
Instrukcja obsługi	181
Regulacja wysokości	183
Zagłówek	184
Czyszczenie	185
Usuwanie kamienia	185
Dezynfekcja	186
Konserwacja	187
Przegląd konserwacyjny	187
Etykieta wyrobu	189
Rozwiązywanie problemów	191
Kompatybilność elektromagnetyczna	192
Odporność elektromagnetyczna	193
Emisja elektromagnetyczna	196
Utylizacja i recykling	197

Instrukcja montażu



Instrukcję montażu dołączono do wyrobu. Można ją również pobrać ze strony pressalit.com.

Oznakowanie operacyjne



Oznakowanie operacyjne dołączono do wyrobu. Można ją również pobrać ze strony pressalit.com.

Symbole używane w niniejszej instrukcji

W niniejszej instrukcji oraz w dokumentacji dostarczonej z wyrobem użyto następujących symboli.

 OSTRZE- ŻENIE	OSTRZEŻENIE wskazuje na sytuację potencjalnie niebezpieczną, dopuszczenie do której może skutkować śmiercią lub poważnymi obrażeniami.		
 UWAGA	UWAGA wskazuje na sytuację potencjalnie niebezpieczną, dopuszczenie do której może skutkować niewielkimi lub umiarkowanymi obrażeniami. Powyższe może również służyć jako ostrzeżenie przed niebezpiecznymi praktykami.		
WAŻNE	WAŻNE wskazuje na istotną informację dotyczącą postępowania z wyrobem lub jego użytkowania.		
INFORMACJA	INFORMACJA dotyczy praktyk niezwiązanych z bezpieczeństwem ludzi.		
			
Ostrzeżenie przed obrażeniami dłoni	Ostrzeżenie przed obrażeniami głowy	Ostrzeżenie przed elektrycznością/ napięciem	Inne szczególne ostrzeżenia
			
Kompatybilne produkty	Części zamienne	Parametry zasilania	Symbole powiązane z kompatybilnością elektromagnetyczną (EMC)
		REF	
Waga wyrobu	Maks. masa użytkownika	Nr artykułu / wersja	Nie wolno zostawiać pacjenta bez nadzoru

Ogólne wskazówki bezpieczeństwa



OSTRZEŻENIE

- Przed użyciem wyrobu przeczytaj i zapoznaj się z instrukcją. Instrukcję przechowuj w pobliżu wyrobu.
- Przestrzegaj niniejszej instrukcji, aby uniknąć wypadków prowadzących do poważnych obrażeń.
- Nigdy nie używaj wyrobu do celów lub w sposób niezgodny z niniejszą instrukcją, ponieważ zagraża to Twojemu bezpieczeństwu i grozi uszkodzeniem wyrobu.
- Upewnij się, że wszystkie osoby montujące lub używające tego wyrobu i jego systemów posiadają niezbędne informacje oraz dostęp do niniejszej instrukcji.



UWAGA

- Przestrzegaj niniejszej instrukcji, aby uniknąć uszkodzenia lub zniszczenia wyrobu.
- Nie dokonuj samodzielnych napraw, demontażu lub montażu, rozbudowy, regulacji lub modyfikacji wyrobu. Czynności takie mogą być przeprowadzane wyłącznie przez firmę Pressalit lub upoważniony przez nią personel.
- Nigdy nie pozwalaj dzieciom obsługiwać tego wyrobu bez nadzoru. Ten wyrób nie jest zabawką.
- Nigdy nie używaj wadliwego lub uszkodzonego wyrobu. Nie używaj uszkodzonego wyrobu przed jego naprawą.

INFORMACJA

- Informacje zawarte w niniejszej instrukcji zakładają właściwe mocowanie wyrobu zgodnie z instrukcją montażu.
- Pressalit nie ponosi odpowiedzialności w sytuacji, gdy wyrób jest użytkowany w jakikolwiek sposób odbiegający od przedstawionego w niniejszej instrukcji.
- Zastrzegamy sobie prawo do zmian niniejszej instrukcji bez wcześniejszego powiadomienia.

Użytkowanie zgodne z przeznaczeniem

Wyrób przeznaczony jest do mycia pod prysznicem / przebierania osób, które nie potrafią samodzielnie stać ani siedzieć. Obsługiwana osoba leży na stole prysznicowym.

Profil zamierzonego operatora

Wyrób jest przeznaczony do użytku przez osoby przeszkolone w zakresie opieki zdrowotnej nad pacjentami lub ich mycia/przebierania.

Profil zamierzonego użytkownika

Z wyrobu mogą korzystać wszystkie osoby (dorośli, dzieci oraz osoby młode i starsze), których waga nie przekracza **200 kg**.

Środowisko użytkowania

Wyrób jest przeznaczony do użytkowania w wilgotnym otoczeniu, takim jak łazienka lub umywalnia. Wyrób jest przeznaczony do eksploatacji w temperaturze pokojowej w gospodarstwach domowych, domach opieki i szpitalach, w normalnych warunkach pracy.

Przeciwwskazania do stosowania

Nie zaleca się tego wyrobu dla pacjentów korzystających z pompy infuzyjnej lub insulinowej, pacjentów z chorobami zapalnymi skóry ani pacjentów z podwyższoną temperaturą ciała.

Pacjenci z niewydolnością serca, chorobami układu krążenia, obrażeniami czaszkowo-mózgowymi lub otwartymi ranami, a także pacjenci żywieni przez sondę lub z podłączonymi drenami bądź cewnikami mogą korzystać z wyrobu wyłącznie po konsultacji ze swoim lekarzem prowadzącym.

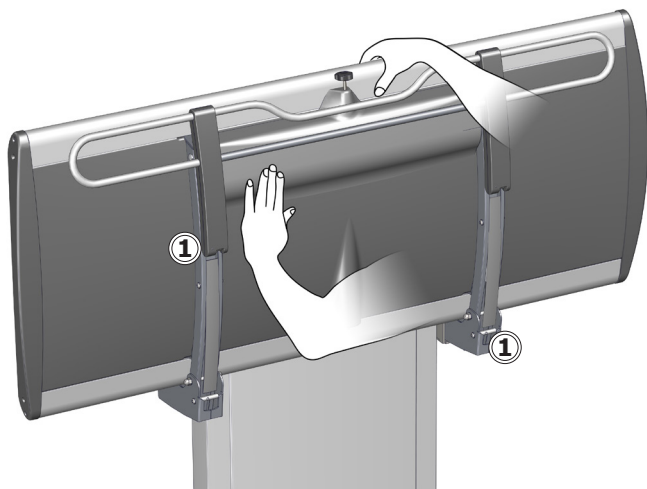
Biozgodność

Materiały mające kontakt ze skórą użytkownika podczas zamierzonego korzystania z wyrobu przebadano pod kątem zawartości substancji szkodliwych zgodnie z procedurami określonymi w normie PN-EN ISO 10993-1:2021 Biologiczna ocena wyrobów medycznych – Część 1 i na tej podstawie uznano za odpowiednie do tego celu.



Powierzchnia produktu może się nagrzewać lub schładzać w przypadku wystawienia na działanie zewnętrznych źródeł ciepła lub zimna (np. światła słonecznego lub mrozu).

Instrukcja obsługi



Podczas rozkładania i składania podtrzymaj stół prysznicowy ręką lub ciałem, aby uniknąć ryzyka uszkodzenia.

Wbudowane siłowniki gazowe ułatwiają złożenie stołu na ścianę po zakończeniu pracy.
Rozkładanie barierki bezpieczeństwa:



Zachowaj ostrożność w pobliżu mechanicznych części zamknięcia ①, aby uniknąć obrażeń rąk.

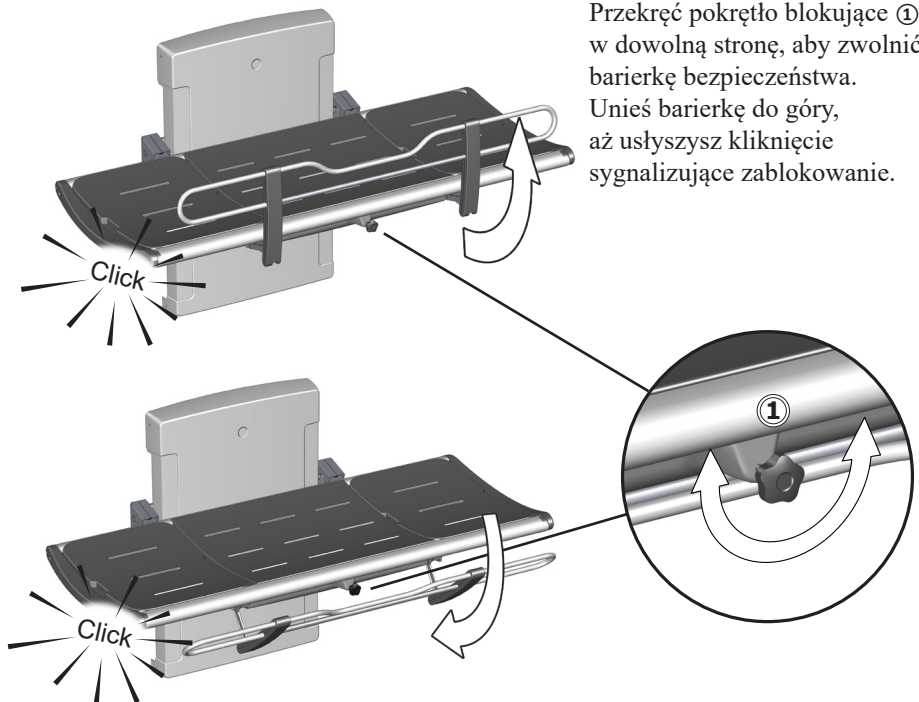


UWAGA

Zawsze należy zachowywać ostrożność podczas przenoszenia osoby na stół oraz ze stołu.

INFORMACJA

Każde poważne zdarzenie, które nastąpiło w związku z wyrobem, należy zgłosić producentowi i organom służby zdrowia.



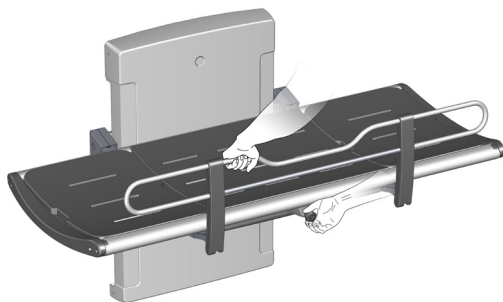
Przekręć pokrętko blokujące ① w dowolną stronę, aby zwolnić barierkę bezpieczeństwa. Unieś barierkę do góry, aż usłyszysz kliknięcie sygnalizujące zablokowanie.

Składanie barierki bezpieczeństwa:

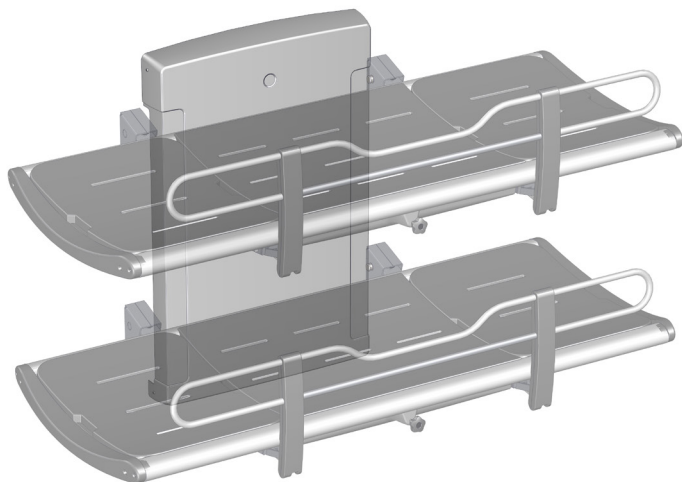
Przekręć pokrętko blokujące ① w dowolną stronę, aby zwolnić barierkę bezpieczeństwa. Popchnij barierkę pod spód stołu, aż usłyszysz kliknięcie sygnalizujące zablokowanie.

INFORMACJA

Jeśli blokada nie zwalnia się po obróceniu pokrętła zwalniającego, delikatnie unieś barierkę, aby odciążyć mechanizm blokujący. Zapewni to możliwość zwolnienia blokady.



Regulacja wysokości



Po zainstalowaniu stołu na prawidłowej wysokości (zalecana wysokość montażowa to 868 mm nad podłogą), można wyregulować go w zakresie od 300 do 1000 mm nad podłogą.

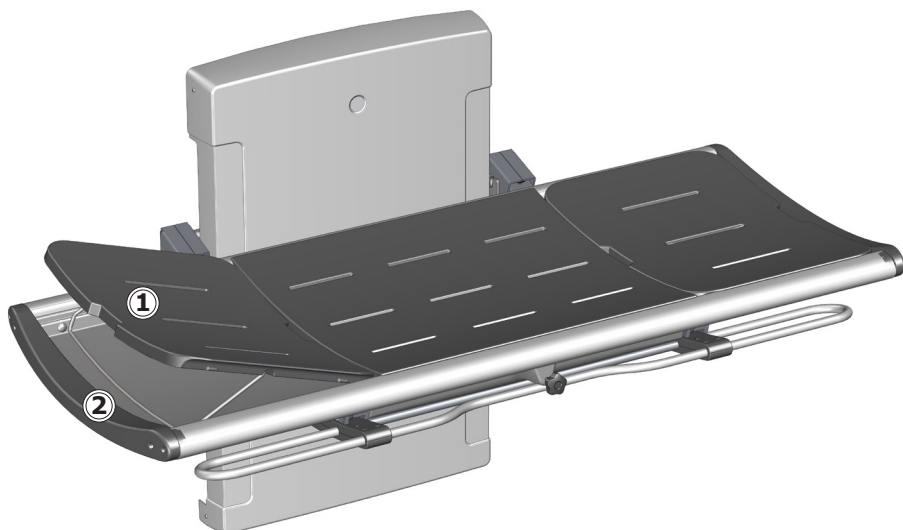
Regulacją wysokości steruje się za pomocą pilota przewodowego.

Naciśnij i przytrzymaj przycisk ze strzałką w górę, aby podnieść stół. Naciśnij i przytrzymaj przycisk ze strzałką w dół, aby go opuścić.



Upewnij się, że podczas zmiany wysokości nie znajdują się pod nim żadne przedmioty.

Zagłówek



Dla zwiększenia komfortu możliwe jest użycie końcowej poduszki jako zagłówek. Unieś poduszkę, korzystając z wyciętych uchwytów ①. Opuść metalowy wspornik ② by ustawić poduszkę w uniesionej pozycji.

Końcowe poduszki są wymienne i można umieścić je po obu stronach stołu.

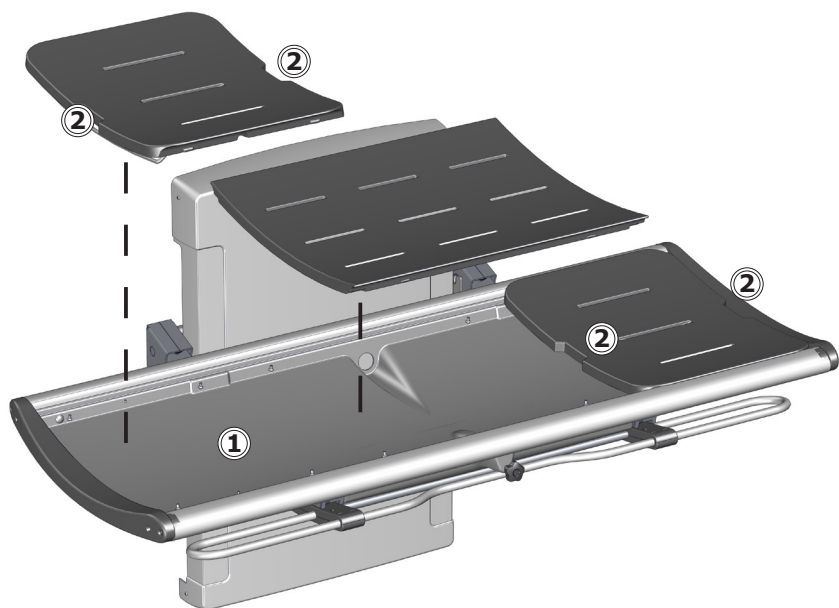


UWAGA

Nigdy nie wolno układać obsługiwanej osoby na stole bez założonych poduszek. Taca pod poduszkami służy jedynie do zbierania wody. Nie należy wykorzystywać jej jako wanny. Ryzyko urazu ciała użytkownika oraz uszkodzenia produktu.

Czyszczenie

Po każdym użyciu wyczyść stół. Użyj zwykłej wody z mydłem. Spłucz słodką wodą i wytrzyj do sucha miękką szmatką.



Nie pozostawiaj poduszek nasiąkniętych wodą. Zdejmij poduszki i osusz tacę do zbierania wody ①. Po podnoszenia poduszek użyj wyciętych uchwytów ②.

Usuwanie kamienia

Aby usunąć kamień z elementów aluminiowych, należy użyć roztworu octu spożywczego o stężeniu 30%, w proporcji 3 części octu na 7 części wody, a następnie przetrzeć elementy zamoczoną w czystej wodzie i wyżętą ściereczką.

Jeżeli lokalnie dostarczana woda jest twarda, konieczne może okazać się usuwanie kamienia z elementów aluminiowych za pomocą odkamieniaczy, takich jak kwas octowy. W takim przypadku należy najpierw przeprowadzić próbę na niewidocznych powierzchniach czyszczonych elementów stołu.

Wyrób należy czyścić gorącą wodą lub łagodnym środkiem czyszczącym na bazie mydła. Listę odpowiednich środków czyszczących przetestowanych przez Pressalit można znaleźć pressalit.com.



UWAGA

Zawsze należy najpierw zapoznać się z kartą charakterystyki materiału oraz instrukcjami dołączonymi do środka czyszczącego, dezynfekującego lub odkamieniającego oraz postępować zgodnie z instrukcjami bezpiecznego stosowania, rozcieńczania, spłukiwania, suszenia, obchodzenia się ze środkiem i jego przechowywania.

WAŻNE

- Nie wolno używać autoklawów lub innych rodzajów czyszczenia parowego.
- Należy unikać stosowania zbyt silnych środków czyszczących zawierających kwasy.
- Nie wolno bezpośrednio spryskiwać wyrobu środkiem czyszczącym pod ciśnieniem.
- Należy unikać stosowania ściernych, żrących lub wyprodukowanych na bazie chloru środków czyszczących i dezynfekujących.

Dezynfekcja

W przypadku stosowania stołu prysznicowego do obsługi kilku pacjentów, konieczne jest umycie i zdezynfekowanie go pomiędzy użyciami przez różnych pacjentów, aby nie dopuścić do ryzyka wystąpienia zakażenia krzyżowego.

INFORMACJA

Jeżeli wyrób jest instalowany w pomieszczeniach o dużej zawartości soli lub chlorków w atmosferze, gwarancja stołu prysznicowego ulega skróceniu z 3 lat do 1 roku.

Sól i chlorki powodują korozję komponentów wyrobu i skracają jego okres eksploatacji. Szkodliwy wpływ tych substancji może zostać zredukowany przez codzienne spłukiwanie wyrobu bieżącą wodą.

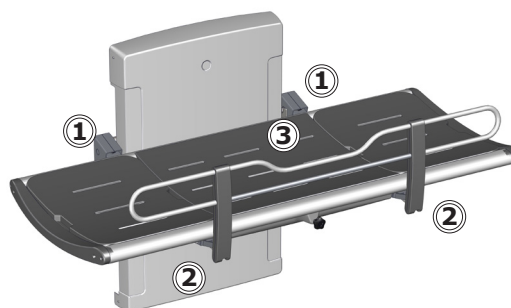
Konserwacja

W przypadku użytku instytucjonalnego, przewidywany okres eksploatacji stołu prysznicowego wynosi 10 lat, pod warunkiem przeprowadzania konserwacji w opisany poniżej sposób:

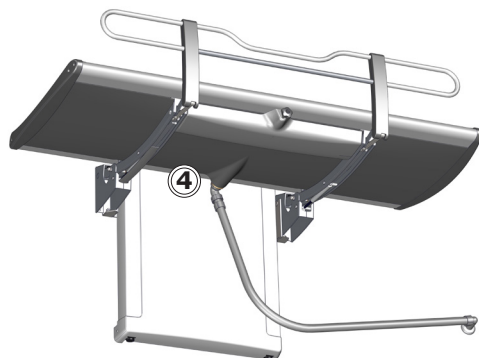
Zaleca się, aby co tydzień przesuwać produkt w maksymalne położenia, podnosząc go na pełną wysokość, a następnie opuszczając do najniższego położenia, aby nasmarować części wewnętrzne.

Zaleca się przeprowadzanie przeglądu konserwacyjnego raz w roku.

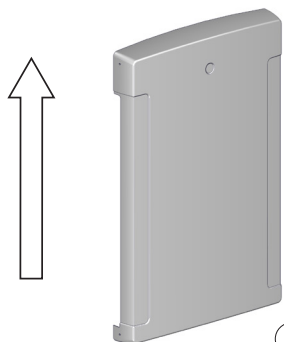
Przegląd konserwacyjny



- Sprawdź zawiasy ① w stole i barierce bezpieczeństwa ②. W razie konieczności dokręć.
- Sprawdź poduszki ③ pod kątem uszkodzeń i w razie potrzeby wymień je.

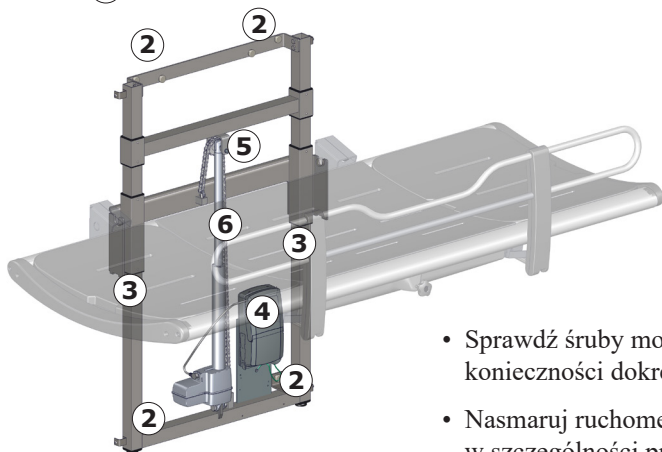
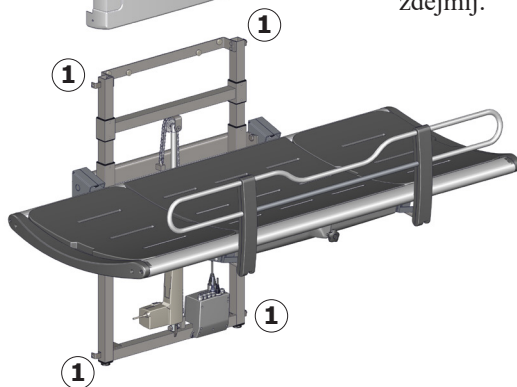


- Sprawdź przyłącza rury odpływowej ④, a także sprawdź i oczyść układ syfonowy (jeśli go zamontowano).



Przed zdjęciem pokryw
należy odłączyć zasilanie
sieciovę.

Wykręć górne i dolne śruby ustalające ①
na pokrywie podnośnika i ostrożnie ją
zdejmij.

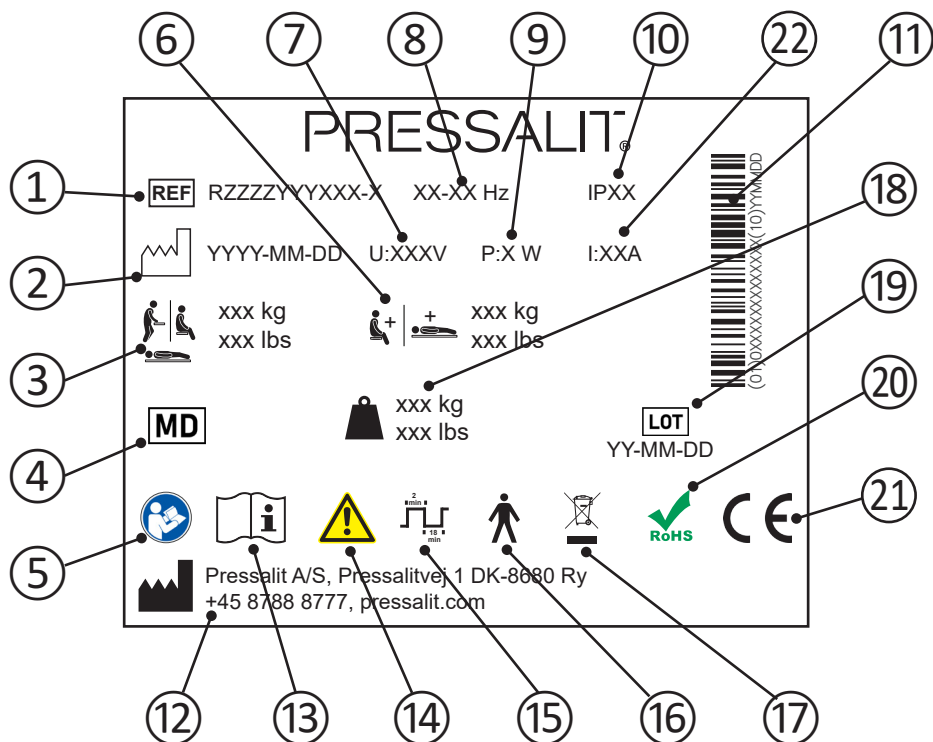


- Sprawdź śruby montażowe ② i w razie konieczności dokręć.
- Nasmaruj ruchome części, w szczególności prowadnice ③.

pl

- Sprawdź wszystkie połączenia elektryczne skrzynki sterowniczej ④.
- Sprawdź koło łańcuchowe ⑤ pod kątem zużycia.
- Nasmaruj łańcuch ⑥.
- Załóż pokrywę i dokręć śruby ustalające.

Etykieta wyrobu



① Numer artykułu

② Data produkcji

③ Maksymalna waga użytkownika

④ Urządzenie medyczne

⑤ Zapoznaj się z instrukcją obsługi

⑥ Maksymalne obciążenie

⑦ Napięcie sieciowe

⑧ Częstotliwość

⑨ Maksymalny pobór mocy

10 Klasa IP

11 Kod kreskowy GS1-128

12 Nazwa i adres producenta

13 Zapoznaj się z instrukcją obsługi

14 Zapoznaj się z instrukcją obsługi, aby zapamiętać ważne informacje dotyczące bezpieczeństwa i środków ostrożności.

15 Cykl pracy

16 Część typu B. Podczas normalnego użytkowania część produktu musi mieć fizyczny kontakt z pacjentem, aby spełnić swoją funkcję. Produkt spełnia wymagania normy IEC 60601-1 w zakresie ochrony przed porażeniem prądem elektrycznym.

17 Nie wyrzucać do zmieszanych odpadów komunalnych. Produkt należy zebrać osobno i oddać do odpowiedniego punktu recyklingu.

18 Waga produktu

19 Kod partii

20 Ten produkt nie zawiera żadnych substancji niebezpiecznych wymienionych w dyrektywie Rady 2011/65/UE w sprawie ograniczenia stosowania niektórych niebezpiecznych substancji w sprzęcie elektrycznym i elektronicznym.

Te produkty są opatrzone znakiem CE zgodnie z odpowiednimi wymaganiami w następujących dokumentach:

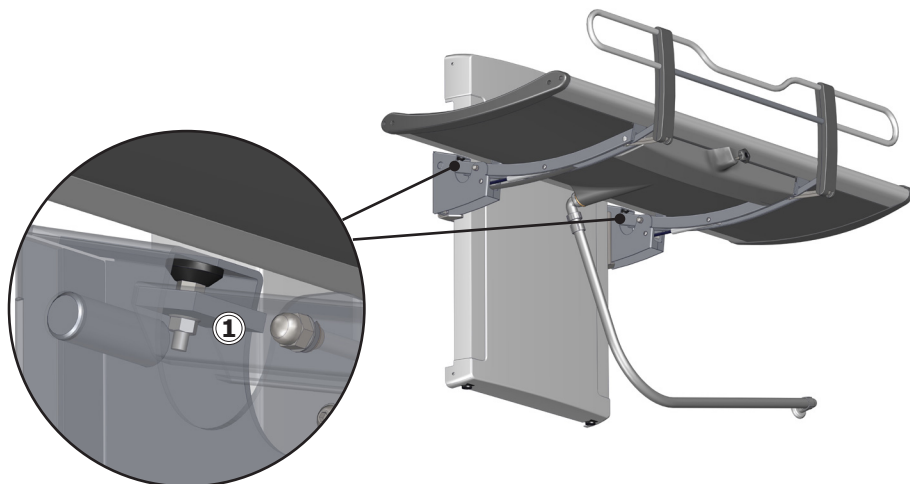
- Rozporządzenie (UE) 2017/745 (z dnia 5 kwietnia 2017 r) w sprawie wyrobów medycznych.
- Dyrektywy Rady 2006/42/WE (z dnia 17 maja 2006 r) w sprawie maszyn.
- Dyrektywy Rady 2011/65/WE (z dnia 8 czerwca 2011 r) ograniczenia stosowania niektórych niebezpiecznych substancji w sprzęcie elektrycznym i elektronicznym.

Deklarację zgodności można znaleźć na stronie pressalit.com

22 Prąd elektryczny

Rozwiązywanie problemów

Objaw	Przyczyna	Działanie
Stół prysznicowy nie utrzymuje się w pozycji pionowej.	Co najmniej jeden siłownik gazowy jest uszkodzony.	Skontaktuj się z Pressalit A/S lub lokalnym dystrybutorem.
Urządzenie nie działa, nawet jeśli pilot jest używany prawidłowo.	Wina zasilania.	Sprawdź, czy wszystkie przewody i wtyczki są nieuszkodzone i prawidłowo podłączone. Skontaktuj się z Pressalit A/S lub lokalnym dystrybutorem.
Woda nie odpływa z tacy do zbierania wody.	Śruby regulacyjne ustawione zbyt wysoko lub nisko.	Dopasuj położenie śrub regulacyjnych ①.
Stół nierównomiernie przesuwają się w górę i w dół.	Prowadnice nie są odpowiednio nasmarowane.	Nasmaruj prowadnice zgodnie z opisem z sekcji „Konserwacja”.



Jeśli problemu nie można rozwiązać, należy skontaktować się z firmą Pressalit A/S lub swoim dystrybutorem. Nie próbuj naprawiać urządzenia samodzielnie, ponieważ spowoduje to unieważnienie gwarancji.

Kompatybilność elektromagnetyczna

To urządzenie jest odpowiednie do użytku w domach, ośrodkach opieki dziennej, ośrodkach dziennego pobytu dla osób z niepełnosprawnością fizyczną bądź intelektualną oraz szpitalach. Urządzenia nie należy używać w pobliżu czynnych urządzeń elektrochirurgicznych wysokiej częstotliwości (HF) ani pomieszczeń wyposażonych w ekranowanie promieniowania o częstotliwości radiowej (RF), w których znajdują się medyczne systemy rezonansu magnetycznego o wysokim natężeniu zaburzeń elektromagnetycznych.

Urządzenie nie posiada funkcji powiązanej z bezpieczeństwem podstawowym ani funkcjonowaniem zasadniczym. W razie braku lub pogorszenia działania z powodu zaburzeń elektromagnetycznych użytkownik nadal może położyć się na wyrobie i zejść z niego.


Kabel	Długość
Przewód zasilania	3,2 m
Kabel skręcany pilota	Okolo 5 m po rozciągnięciu





OSTRZEŻENIE

- Stosowanie akcesoriów, przetworników oraz kabli innych niż określone lub dostarczone przez producenta może prowadzić do zwiększenia emisji elektromagnetycznych lub zmniejszenia odporności elektromagnetycznej sprzętu i spowodować nieprawidłowe działanie.
- Przenośny sprzęt do komunikacji radiowej (w tym urządzenia peryferyjne takie jak kable antenowe i anteny zewnętrzne) powinien być używany w odległości co najmniej 30 cm od dowolnej części urządzenia, w tym jego kabli, aby zapobiec pogorszeniu jego działania.
- Należy unikać używania tego urządzenia w pobliżu innego sprzętu bądź ustawionego na innym sprzęcie, gdyż może to spowodować nieprawidłowe działanie. Jeśli jednak konieczne jest używanie urządzenia w takiej konfiguracji, należy obserwować urządzenie i pozostały sprzęt, aby upewnić się, że działają prawidłowo.

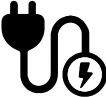
Odporność elektromagnetyczna


Wyładowania elektrostatyczne	
	Wyładowania elektryczne między ciałem człowieka a tym wyrobem nie mogą wpływać na wyrób poprzez inicjowanie jego działania ani powodowanie wad jego komponentów.
Norma testowa	Poziom testowy odporności
EN 61000-4-2	+/- 8 kV kontakt +/- 2, 4, 8, 15 kV powietrze

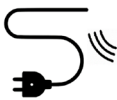
Wypromieniowane pole elektromagnetyczne o częstotliwości radiowej	
	Wypromieniowane sygnały o częstotliwości radiowej nie mogą wpływać na wyrób. Są to przykładowo sygnały emitowane np. przez telefon komórkowy lub odbiornik radiowy. Mogą one jedynie działać na wyrób bądź powodować wady jego komponentów.
Norma testowa	Poziom testowy odporności
EN 61000-4-3	15 V/m 80 MHz do 1000 MHz (tylko z przodu) 15 V/m 1,01 GHz do 3 GHz 80% AM 1 kHz

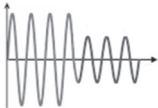
Odporność na pobliskie pola emitowane przez bezprzewodowy sprzęt do komunikacji radiowej	
	Wypromieniowane sygnały o częstotliwości radiowej nie mogą wpływać na wyrób. Są to przykładowo sygnały emitowane np. przez telefon komórkowy lub odbiornik radiowy. Mogą one jedynie działać na wyrób bądź powodować wady jego komponentów.

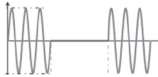
Norma testowa	Poziom testowy odporności
EN 61000-4-3*	<p>385 MHz, 27 V/m, PM 18 Hz (cykl pracy 50%, fala prostokątna)</p> <p>450 MHz, 28 V/m, odchylenie FM +/- 5 kHz, sinus 1 kHz</p> <p>710 MHz, 9 V/m, PM 217 Hz (cykl pracy 50%, fala prostokątna)</p> <p>745 MHz, 9 V/m, PM 217 Hz (cykl pracy 50%, fala prostokątna)</p> <p>780 MHz, 9 V/m, PM 217 Hz (cykl pracy 50%, fala prostokątna)</p> <p>810 MHz, 28 V/m, PM 18 Hz (cykl pracy 50%, fala prostokątna)</p> <p>870 MHz, 28 V/m, PM 18 Hz (cykl pracy 50%, fala prostokątna)</p> <p>930 MHz, 28 V/m, PM 18 Hz (cykl pracy 50%, fala prostokątna)</p> <p>1720 MHz, 28 V/m, PM 217 Hz (cykl pracy 50%, fala prostokątna)</p> <p>1845 MHz, 28 V/m, PM 217 Hz (cykl pracy 50%, fala prostokątna)</p> <p>1970 MHz, 28 V/m, PM 217 Hz (cykl pracy 50%, fala prostokątna)</p> <p>2450 MHz, 28 V/m, PM 217 Hz (cykl pracy 50%, fala prostokątna)</p> <p>5240 MHz, 9 V/m, PM 217 Hz (cykl pracy 50%, fala prostokątna)</p> <p>5500 MHz, 9 V/m, PM 217 Hz (cykl pracy 50%, fala prostokątna)</p> <p>5785 MHz, 9 V/m, PM 217 Hz (cykl pracy 50%, fala prostokątna)</p>

Szybkozmienne zakłócenia przejściowe	
	Szybkie sygnały impulsowe wprowadzane do przewodu zasilającego nie mogą wpływać na wyrób. Może to spowodować wady komponentów lub zainicjować działanie wyrobu.
Norma testowa	Poziom testowy odporności
EN 61000-4-4	+/- 1 kV, +/- 2 kV Częstotliwość powtarzania 100 kHz


Odporność na udary (surge)	
	Wyładowania atmosferyczne nie mogą wpływać na wyrób poprzez inicjowanie jego działania ani powodowanie wad jego komponentów.
Norma testowa	Poziom testowy odporności
EN 61000-4-5	Międzyfazowy: +/- 0,5 kV, +/- 1 kV Doziemny: +/- 0,5 kV, +/- 1 kV, +/- 2 kV


Odporność na zaburzenia przewodzone indukowane przez pola o częstotliwości radiowej	
	Inne pola o częstotliwości radiowej nie mogą wpływać na przewody poprzez inicjowanie działania ani powodowanie wad komponentów.
Norma testowa	Poziom testowy odporności
EN 61000-4-6	3 V (6 V w pasmach ISM i amatorskich pasmach radiowych) 0,15 do 80 MHz, 80% AM przy 1 kHz


Zapad napięcia	
	Nagłe obniżenie napięcia zasilającego nie może inicjować ani ograniczać działania wyrobu.
Norma testowa	Poziom testowy odporności
EN 61000-4-11	0% U_T ; 0,5 okresu przy 0°, 45°, 90°, 135°, 180°, 225°, 270° i 315°, 0% U_T ; 1 okres przy 0°, 70% U_T ; 25 okresów przy 0° Jednofazowy przy 0°


Przerwy w zasilaniu	
	Krótką przerwa w dostawie napięcia zasilającego nie może inicjować ani ograniczać działania wyrobu.
Norma testowa	Poziom testowy odporności
EN 61000-4-11	0% U_T ; 300 okresów

Emisja elektromagnetyczna

Emisja zaburzeń radioelektrycznych wprowadzanych do przewodów	
	Wyrób nie może wprowadzać do sieci nadmiaru szumu. Mogłoby to zaburzać pracę innych urządzeń.
Norma testowa	Klasa i grupa testowa emisji
EN 55011	Klasa B, grupa 1

Emisja pola elektromagnetycznego o częstotliwości radiowej	
	Wyrób nie może wytwarzać szumu w odpowiedzi na sygnały w pomieszczeniu. Mogłoby to zaburzać pracę innych urządzeń.
Norma testowa	Klasa i grupa testowa emisji
EN 55011	Klasa B, grupa 1

Emisje harmoniczne prądu	
	Wyrób nie może w sposób niezamierzony pobierać zasilania z sieci.
Norma testowa	Klasa i grupa testowa emisji
IEC 61000-3-2	Klasa A

Zmiany napięcia, wahania napięcia i migotanie	
	Wyrób nie może wpływać na inne urządzenia, gdy jest podłączony do sieci. Mogłoby to np. spowodować migotanie oświetlenia, niepokojąc osoby obecne w pomieszczeniu.
Norma testowa	Klasa i grupa testowa emisji
EN 61000-3-3	Zbadano zgodnie z normą.

Utylizacja i recykling

Wyrób zawiera materiały, które można poddawać recyklingowi. Nie istnieją znane zagrożenia lub ryzyka związane z usuwaniem wyrobu. Wszystkie komponenty można utylizować po ich uprzednim wyczyszczeniu i zdezynfekowaniu.

W przypadku usuwania wyrobu zalecamy rozmontowanie go i podzielenie odpadów na grupy do recyklingu lub spalenia.

Poniższa tabela zawiera informacje dotyczące recyklingu i postępowania z wyrobem.

Komponenty, które można poddać recyklingowi	Material
Aluminium	Aluminium teoretycznie w 100% nadaje się do recyklingu bez utraty jego naturalnych właściwości. Wymaga jedynie 5% energii zużywanej do produkcji aluminium pierwotnego. Jakość aluminium pochodzącego z recyklingu jest tak wysoka, że może ono być używane wielokrotnie, nawet w przypadku wyrobów anodyzowanych, ponieważ warstwa anodyzowana stanowi naturalną część aluminium.
Stal	Stal może zostać poddana recyklingowi poprzez ponowne przetopienie i włączenie jej jako materiału wtórnego do produkcji nowej stali.
PVC i polistyren	Twarde PCW jest granulowane i przetwarzane. Należy stosować systemy sortowania i recyklingu tworzyw sztucznych tam, gdzie jest to lokalnie możliwe, w innym przypadku spalanie tworzyw sztucznych niesie dodatkową korzyść w postaci energii, którą można wykorzystać na przykład do skojarzonego wytwarzania energii elektrycznej i ciepła.
Poliuretan	Podobnie jak inne tworzywa sztuczne, poliuretan może być poddany recyklingowi na dwa podstawowe sposoby. Pierwszy z nich to recykling mechaniczny, w którym materiał jest ponownie wykorzystywany w postaci polimeru. Drugi to recykling chemiczny, który rozkłada tworzywo na różne składniki chemiczne.
Elektronika	Elementy elektroniczne należy zbierać osobno i oddawać do wyznaczonego punktu recyklingu.

目录

安装说明.....	198
操作详解图.....	198
本手册使用的标志.....	199
一般安全要求.....	200
用途.....	201
操作员说明.....	201
使用者说明.....	201
工作环境.....	201
禁忌症.....	201
生物相容性.....	201
操作说明.....	202
高度调整.....	204
头部支撑.....	205
清洁.....	206
清除水垢.....	206
消毒.....	207
维护.....	208
维护检查.....	208
产品标签.....	210
故障排解.....	212
电磁兼容性.....	213
电磁抗扰性.....	214
电磁辐射.....	217
处理与回收.....	218

安装说明



本产品随附安装说明。也可从 pressalit.com 下载。

操作详解图



本产品随附操作详解图。也可从 pressalit.com 下载。

本手册使用的标志

本手册和本产品随附的相关文件使用以下标志。

 警告				<p>警告提醒使用者注意潜在危险状况，如果未能避开这种状况，可能导致人员死亡或严重伤害。</p>
 小心				<p>小心提醒使用者注意潜在危险状况，如果未能避开这种状况，可能导致轻度或中度伤害。该标志也可用于提醒不安全行为。</p>
重要信息				<p>重要信息提醒使用者注意操作和使用本产品的重要信息。</p>
注意				<p>注意用于提醒与人身安全无关的行为。</p>
 手部受伤警告	 头部受伤警告	 电流/电压警告	 其他特殊警告	
 兼容产品	 备用件	 电源规格	 电磁兼容性相关标志	
 产品重量	 最大使用者体重	 货号/版本	 患者一定要有人陪同	

一般安全要求

警告

- 使用前，请通读并理解本手册。将手册存放在设备附近。
- 按照本手册操作，避免发生造成严重人身伤害的意外。
- 使用或操作本产品时，切勿采用本手册并未介绍的其他方式，因为这会危及您的安全并损坏产品。
- 确保安装或使用本产品及其系统的人员均掌握必要信息并可查阅本手册。

小心

- 请遵守相关说明，避免产品受损或损毁。
- 切勿维修、拆卸或组装、扩展、重新调整或改装本产品。这些操作必须由 Pressalit 或 Pressalit 授权的人士执行。
- 若无人看管，请不要让儿童操作本产品。本产品不适用于娱乐游戏。
- 产品如有缺陷或损坏，切勿使用。缺陷产品待修理后方可使用。

注意

- 本手册资料以按照组装说明正确安装本产品为基础。
- 如果以指南所述以外的方法使用本产品，Pressalit 概不负责。
- 我们保留修订本手册的权利，恕不另行通知。

用途

本产品用于为无法站立或坐下的人士洗澡/换洗时使用。使用者可平躺在洗澡床上。

操作员说明

本产品由接受过健康护理培训，并/或经过训练可为他人洗澡/换洗护理的人员操作。

使用者说明

本产品可供体重不超过**最大荷载 200 公斤**的所有人群使用，包括成人、儿童、年青人、老人。

工作环境

在室内潮湿环境中使用，如浴室或盥洗室。本产品在室温下使用，可在私人住所、疗养院和医院中在正常工作条件下运行。

禁忌症

不建议携带输注装置或胰岛素泵的患者、患有炎症性皮肤病的患者或伴有发烧症状的患者使用此装置。

患有心功能不全、心血管疾病、颅脑损伤的患者或者带有开放性伤口、喂食或引流管（如导尿管、引流管）的患者只有在与主治医生协商后才能使用装置。

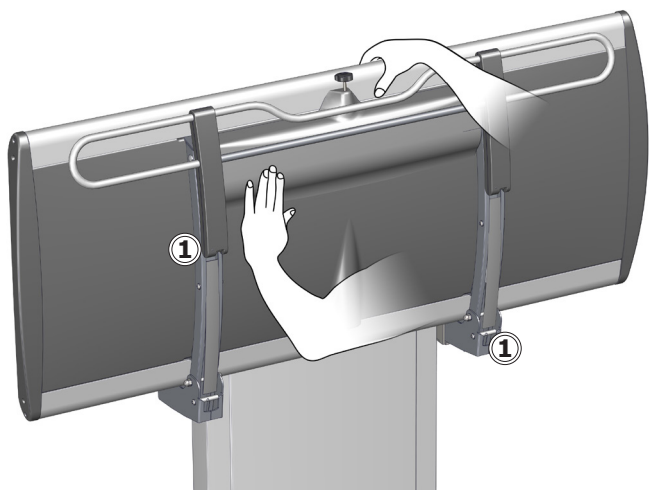
生物相容性

对于可能在使用过程中与用户皮肤发生接触的材料，我们已根据 ISO 10993-1:2020 医疗器械生物学评价-第一部分测试其有害物质含量，并认定其适用于此目的。



如果产品暴露的外部环境过热或者过冷（例如阳光或者霜冻下），产品表面可能会变得灼热/或冰冷。

操作说明



折叠和展开洗澡床时应用手或身体支撑洗澡床，以免损坏。

通过内置汽缸，可以轻松地在使用后靠墙折叠洗澡床。

要拉起安全护栏：

向任意方向转动锁定旋钮 ① 以松开安全护栏。



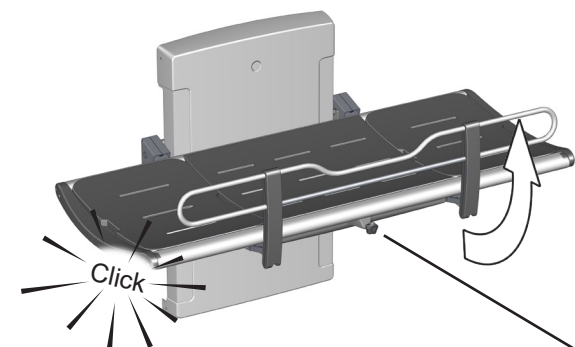
注意不要将手放在闭合机械部件 ① 附近以免受伤。

 **小心**

帮使用者上下洗澡床时，务必小心谨慎。

注意

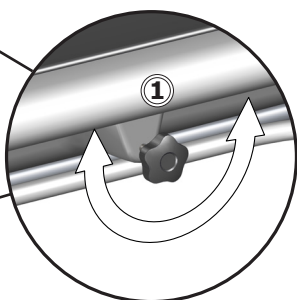
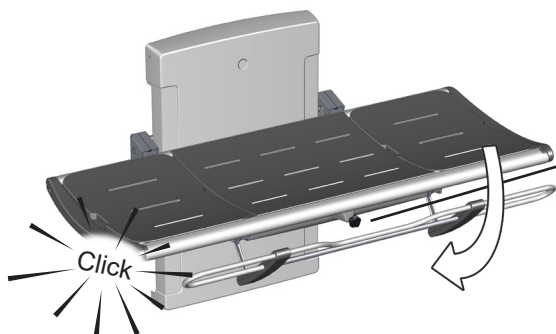
任何与本产品有关的严重事故都应报告给制造商和卫生主管部门。



向上提起安全护栏，直到听到
咔嗒一声，表明护栏已锁定。

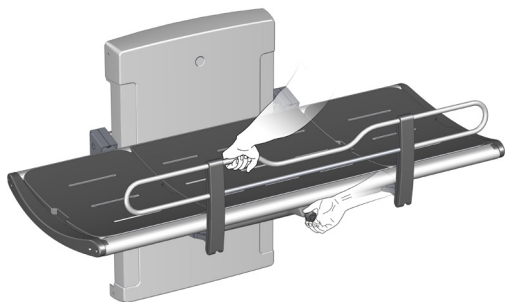
收起安全护栏：

向任意方向转动锁定旋钮 ①
以松开安全护栏。将安全护栏
推回至洗澡床下方，直到听到
咔嗒一声，表明护栏已锁定。

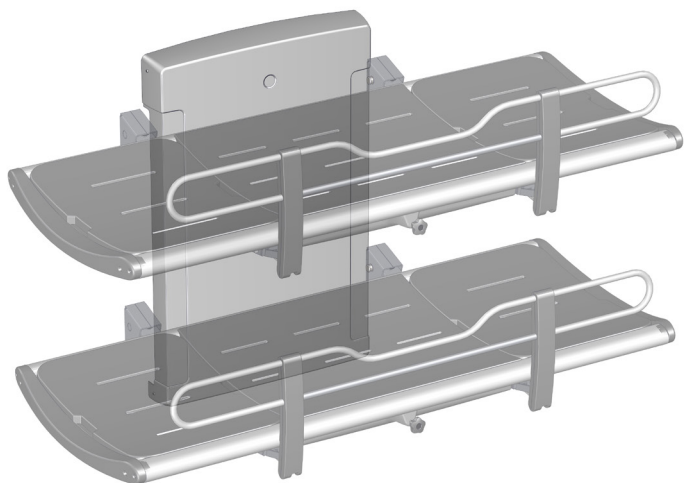


注意

如果转动释放旋钮时锁扣未松开，则轻轻提起护栏，以移除锁定机构上的负荷。这样可以松开锁扣。



高度调整



洗澡床安装在正确高度后（建议安装高度为地面上方 868 毫米），可在地面上方 300 至 1000 毫米之间调整。

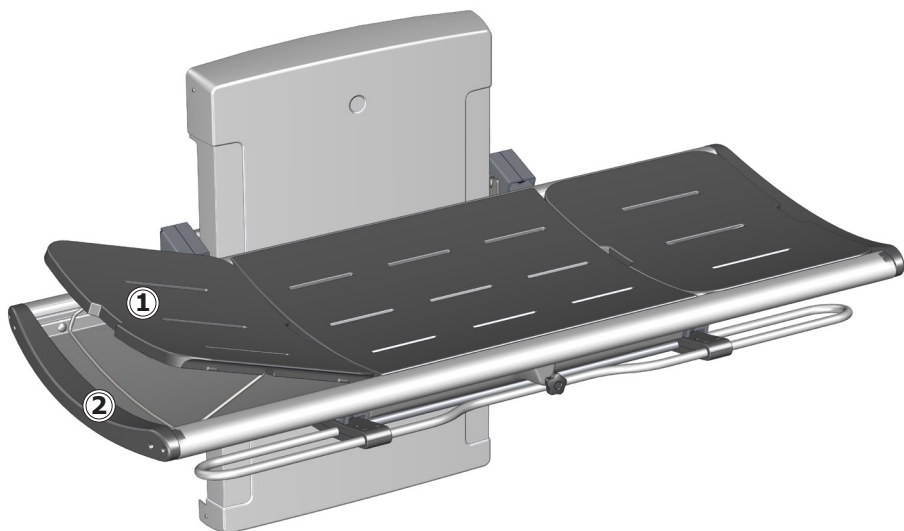
高度调整由有线遥控装置控制。

按住“向上”按钮升高洗澡床，按住“向下”按钮降低洗澡床。



调整高度时，确保洗澡床下没有任何物品。

头部支撑



可将一端的靠垫用作头部支撑，提高舒适感。
使用内凹握手部位 ① 提起靠垫。向下折叠金属支架 ②，将靠垫支撑在垂直位置。

端部靠垫可互换，并可放置在洗澡床的任意一端。



小心

请勿让人躺在未放置靠垫的洗澡床上。靠垫下的托盘只用于接水。不可作为浴缸使用。存在用户受伤和产品损坏风险。

应使用热水或温和的肥皂清洁剂来清洁本产品。
可在 pressalit.com 网站查看经 Pressalit 测试的相关清洁剂列表。



务必阅读材料安全数据表 (MSDS) 和随附的清洁、消毒或除垢剂说明，并按照说明安全使用、稀释、冲洗、干燥、处理和储存溶剂。

重要信息

- 切勿使用高压灭菌器或其他类型的蒸汽清洁器。
- 避免使用含酸的强力清洁剂。
- 切勿使用高压清洁器直接喷洗本产品。
- 避免使用磨蚀性、腐蚀性或氯化物型的清洁或消毒产品。

消毒

多名患者共用洗澡床时，需要在下一患者使用前清洁并消毒洗澡床，避免交叉感染的风险。

注意

如果产品安装在盐分或氯含量较高的环境中，洗澡床的保修期将从正常的 3 年减至 1 年。

盐和氯对产品元件有腐蚀性，并会导致产品预期使用寿命缩短。然而，如果每天用自来水冲洗产品，损坏影响可以减小。

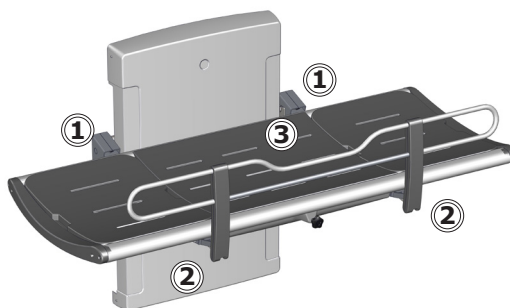
维护

若按下述说明进行维护并按照规定说明操作，洗澡床的预计使用年限为 10 年：

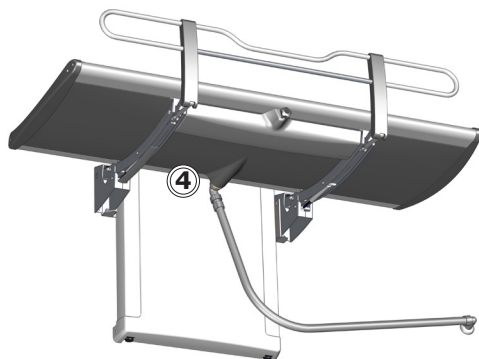
建议每周执行一次：将产品升至最高点再降至最低点，使产品电机运行至最大行程，以此润滑内部部件。

建议一年进行一次维护检查。

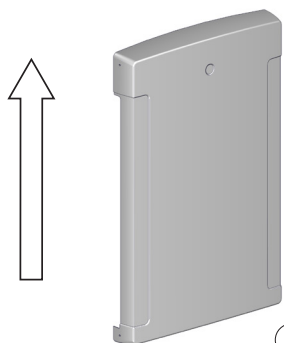
维护检查



- 检查洗澡床上的铰链 ① 和安全护栏 ②。按需要拧紧。
- 检查靠垫 ③ 的磨损情况，并在必要时更换。



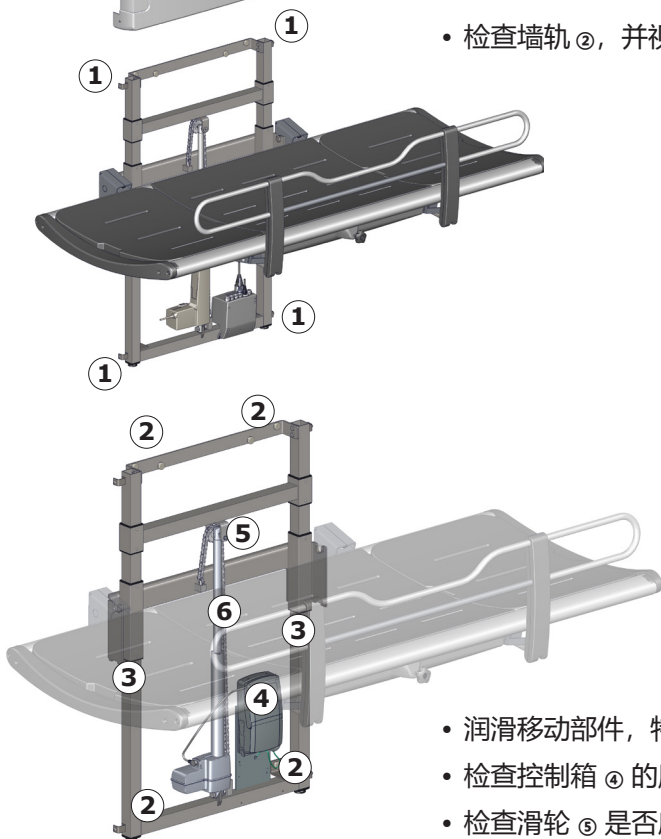
- 检查排放管连接 ④，然后检查并清洁存水弯（若已安装）。



在取下盖子之前，断开总电源。

拆除升降装置外壳的上下固定螺丝 ①，然后小心取下外壳。

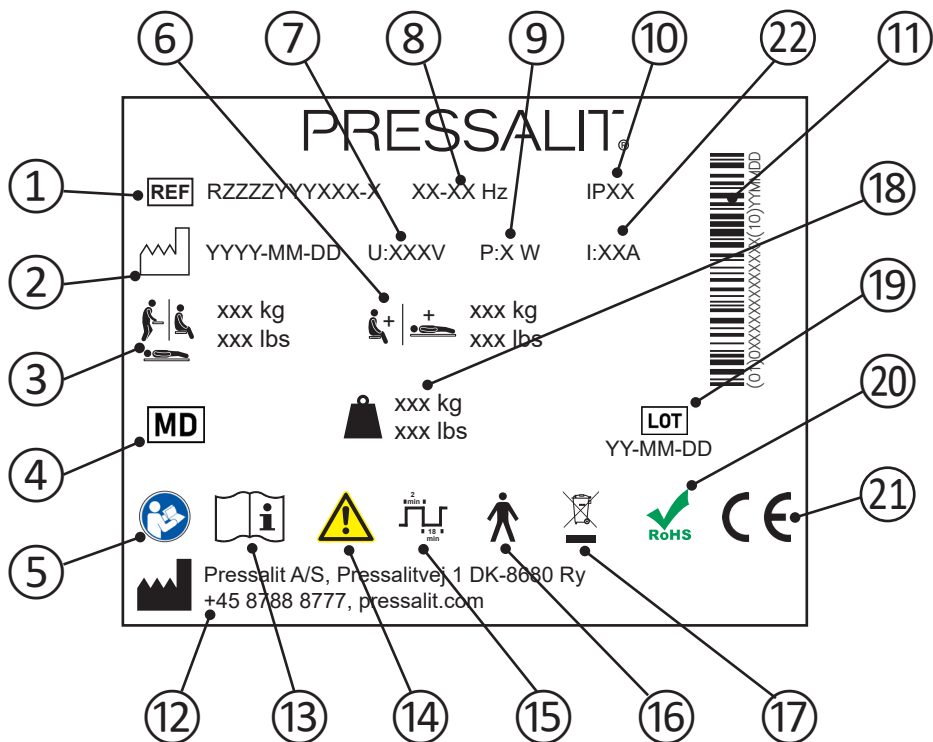
- 检查墙轨 ②，并视情况拧紧。



- 润滑移动部件，特别是滑轨③。
- 检查控制箱 ④ 的所有电气连接。
- 检查滑轮 ⑤ 是否磨损。

- 润滑链条 ⑥。
- 重新装上装置外壳，然后拧紧固定螺丝。

产品标签



① 货号

② 生产日期

③ 最大使用者体重

④ 医疗器械

⑤ 请参考使用手册

⑥ 最大荷载

⑦ 电源电压

⑧ 频率

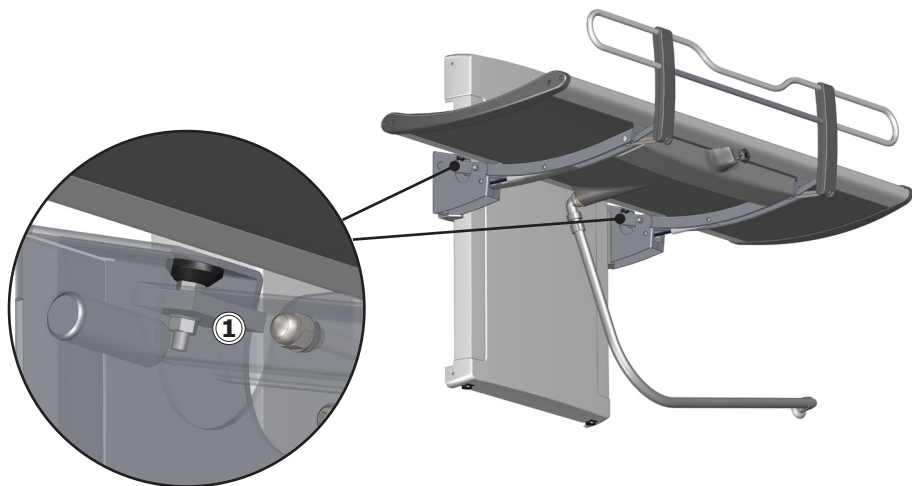
⑨ 最大功耗

-
- ⑩ IP 等级
-
- ⑪ GS1-128 条形码
-
- ⑫ 生产商名称和地址
-
- ⑬ 请参考使用手册
-
- ⑭ 请查阅手册，了解警告和注意事项等重要警示信息。
-
- ⑮ 占空比
-
- ⑯ B 类应用部件。产品部件在正常使用时需要与患者有身体接触，方可执行其功能。本产品符合 IEC 60601-1 要求，有防电击保护功能。
-
- ⑰ 请勿按未分类生活垃圾处理。本产品应被单独收集，然后送至指定的回收服务点。
-
- ⑱ 产品重量
-
- ⑲ 批次代码
-
- ⑳ 本产品不含欧盟 RoHS 指令 2011/65/EC 规定的任何有害物质。
-
- ㉑ 本产品根据欧洲医疗器材指令 93/42/EEC（包括修订指令 2007/47/EEC）加贴 CE 标志。如需符合性声明，请访问 pressalit.com
-
- ㉒ 电流

故障排解

现象	原因	操作
洗澡床无法保持在垂直位置。	一个或多个汽缸有缺陷。	联系 Pressalit A/S 或当地经销商。
即使正确使用遥控，产品仍无法运作。	电源出现故障。	检查所有电线和插座是否完好无损且正确连接。 联系 Pressalit A/S 或当地经销商。
水无法从接水盘排出。	调节螺丝过高或过低。	调整调节螺丝 ①。
洗澡床升降运动不稳。	滑轨润滑不足。	按“”中的说明对滑轨进行润滑。

如果仍无法解决问题，请联系 Pressalit A/S 或您的经销商。切勿尝试自行维修产品，因为这会导致保修失效。



电磁兼容性

本产品适用于家庭、日托中心、护理身体或精神残疾的机构或医院，但不可靠近高频外科手术设备及配有高强度电磁干扰的磁共振成像的医疗系统的射频屏蔽室。

该设备不具有任何与基本安全或基本性能相关的功能。如果由于电磁干扰而导致性能损失或下降，用户仍然可以开关此产品。

缆线	长度
电源线	3.2米
手控螺旋电缆	可延长约至5米

警告


- 使用非制造商指定或提供的附件、换能器和电缆可能会导致此设备的电磁辐射增加或电磁抗扰度降低，并导致功能不正常。
- 使用便携式射频通信设备（包括天线电缆和外置天线等外部设备）时，距该设备的任何部分（包括其电缆）不得超过30厘米，以避免本设备的性能下降。
- 不应将本设备与其他设备相邻使用或与其他设备叠放使用，因为这可能导致操作不当。如果必须进行此类使用，则应观察该设备和其他设备以查看它们是否正常运行。

电磁抗扰性


静电放电	
	产品不得因人与产品之间的放电而受到影响，例如启动操作或认为组件出现故障。
测试标准	抗扰试验电平
EN 61000-4-2	+/- 8 kV 触点 +/- 2, 4, 8, 15 kV 空气


辐射射频电磁场	
	产品不得受到辐射射频信号的影响。例如来自手机或无线电的信号，这会导致产品采取措施或使组件出现错误。
测试标准	抗扰试验电平
EN 61000-4-3	15 V/m 80 MHz 至 1000 MHz (只限前部) 15 V/m 1,01 GHz 至 3 GHz 80 % AM 1 kHz

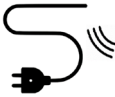
对来自射频无线通信设备的邻近场的抗扰度

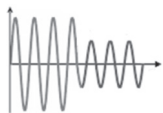
	产品不得受到辐射射频信号的影响。例如来自手机或无线电信号，这会导致产品采取措施或使组件出现错误。
测试标准	抗扰试验电平
EN 61000-4-3*	385 MHz, 27 V/m, 18 Hz PM (50 % 占空比方波) 450 MHz, 28 V/m, FM +/- 5 kHz 偏差, 1 kHz 正弦 710 MHz, 9 V/m, 217 Hz PM (50 % 占空比方波) 745 MHz, 9 V/m, 217 Hz PM (50 % 占空比方波) 780 MHz, 9 V/m, 217 Hz PM (50 % 占空比方波) 810 MHz, 28 V/m, 18 Hz PM (50 % 占空比方波) 870 MHz, 28 V/m, 18 Hz PM (50 % 占空比方波) 930 MHz, 28 V/m, 18 Hz PM (50 % 占空比方波) 1720 MHz, 28 V/m, 217 Hz PM (50 % 占空比方波) 1845 MHz, 28 V/m, 217 Hz PM (50 % 占空比方波) 1970 MHz, 28 V/m, 217 Hz PM (50 % 占空比方波) 2450 MHz, 28 V/m, 217 Hz PM (50 % 占空比方波) 5240 MHz, 9 V/m, 217 Hz PM (50 % 占空比方波) 5500 MHz, 9 V/m, 217 Hz PM (50 % 占空比方波) 5785 MHz, 9 V/m, 217 Hz PM (50 % 占空比方波)


电快速瞬变/脉冲群

	产品不得受到通过电源线快速脉冲信号的影响。这可能会导致组件出现缺陷，或者产品可能会启动操作。
测试标准	抗扰试验电平
EN 61000-4-4	+/- 1 kV, +/- 2 kV 100 kHz 重复频率


抗扰度	
	产品不得因闪电受到影响，例如启动操作或认为组件出现故障。
测试标准	抗扰试验电平
EN 61000-4-5	两线间: +/- 0.5 kV, +/- -1 kV 接地: +/- 0.5 kV, +/-1 kV, +/- 2 kV


对射频场引起的传导干扰的抗扰度	
	连接线不得受其他射频场干扰，否则会影响运行或导致部件损坏。
测试标准	抗扰试验电平
EN 61000-4-6	3 V (6 V 用于 ISM 波段及业余无线电频段) 0.15 至 80 MHz, 1 kHz 时 80% 调幅


电压骤降	
	产品不得因电力供应不足而启动或限制操作。
测试标准	抗扰试验电平
EN 61000-4-11	0% U_T ; 0°、45°、90°、135°、180°、225°、270° 和315°时0.5个循环, 0% U_T ; 0°时1个循环, 70% U_T ; 0°时25个循环 0° 单相


电压中断	
	产品不得因短时断电而启动或限制操作。
测试标准	抗扰试验电平
EN 61000-4-11	0 % U_T ; 300 个循环

电磁辐射

传导射频发射	
	产品不得向电网发送太多噪音。这会扰乱其他产品的运行。
测试标准	排放测试级别和组
EN 55011	B级, 1组

辐射射频发射	
	不得在房间内通过射频发射制造噪音。这会扰乱其他产品的运行。
测试标准	排放测试级别和组
EN 55011	B级, 1组

谐波电流发射	
	产品不得无意地从电网获取电力。
测试标准	排放测试级别和组
IEC 61000-3-2	级别 A

电压变化、电压波动和闪烁	
	产品接入电网时不得影响其他产品。例如, 灯可能会开始闪烁, 从而打扰房间里的人。
测试标准	排放测试级别和组
EN 61000-3-3	根据标准进行测试。

处理与回收

装置中含有可重复使用的材料。处理产品并不存在已知危险或风险。所有组件在清洁和消毒后方可丢弃。

处理产品时，建议按照不同的垃圾种类将产品进行拆卸和分解，再回收或烧毁。

下表提供关于回收和处理产品的资料。

可回收组件	材料
铝	铝在理论上可完全回收，其自然属性不会受损。回收所使用的能源只有生产原铝的 5%。再生铝的质量非常高，可以重复使用，即使是阳极氧化铝制品也是如此，因为阳极氧化层是铝材的天然成分。
钢	钢可在重新熔化后循环再用，并用作新钢生产的二次材料。
PVC 和聚苯乙烯	硬质 PVC 将被碾碎成颗粒并重新熔化。如果当地有塑料分类回收系统，应妥善使用。否则，焚烧塑料也能产生能源，具有额外优点，可用于热电联产等用途。
聚亚安酯	与其他塑料类似，聚亚安酯的回收方式主要有以下两种：机械回收（材料可以聚合物形式重新利用）和化学回收（将材料还原至其各种化学成分）。
电子组件	电子组件应单独收集，然后送至指定的回收服务点。

المحتوى

219.	إرشادات التركيب
219.	لافتة التشغيل
220.	الرموز المستخدمة في هذا الدليل
221.	السلامة العامة
222.	الغرض من الاستخدام
222.	مواصفات المشغل المعني
222.	مواصفات المستخدم المعني
222.	بيئة التشغيل
222.	موانع الاستخدام
222.	التوافق الحيوي
223.	إرشادات التشغيل
225.	ضبط الارتفاع
226.	مسند الرأس
227.	التنظيف
227.	إزالة الترسبات الجيرية
228.	التعقيم
229.	الصيانة
229.	فحص الصيانة
231.	ملصق تعريف المنتج
233.	استكشاف المشكلات وإصلاحها
234.	التوافق الكهرومغناطيسي
235.	الحصانة الكهرومغناطيسية
238.	الانبعاثات الكهرومغناطيسية
239.	التخلص من المنتج وإعادة تدويره

إرشادات التركيب

إرشادات التركيب مرفقة مع المنتج. يمكن تنزيلها أيضًا من pressalit.com.



لافتة التشغيل

لافتة التشغيل مرفقة مع المنتج. يمكن تنزيلها أيضًا من pressalit.com.



الرموز المستخدمة في هذا الدليل

تُستخدم الرموز التالية في هذا الدليل وكذلك في الوثائق ذات الصلة المرفقة مع المنتج.

<p>يشير الرمز تحذير إلى موقف ينطوي على خطورة محتملة وقد يؤدي إلى الوفاة أو التعرض لإصابة خطيرة في حالة عدم تلافيه.</p>			
<p>يشير الرمز تنبيه إلى موقف ينطوي على خطورة محتملة وقد يؤدي إلى التعرض لإصابة طفيفة أو متوسطة في حالة عدم تلافيه. قد يُستخدم هذا الرمز أيضًا للتحذير من الممارسات غير الآمنة.</p>			
<p>يشير الرمز معلومات مهمة بخصوص التعامل مع المنتج واستخدامه.</p>	<p>معلومات مهمة</p>		
<p>يُستخدم الرمز ملاحظة للإشارة إلى ممارسات غير مرتبطة بالسلامة الشخصية.</p>	<p>ملاحظة</p>		
			
<p>تحذير معين آخر</p>	<p>تحذير من الكهرباء / الجهد الكهربائي</p>	<p>تحذير من التعرض لإصابة بالرأس</p>	<p>تحذير من التعرض لإصابة باليد</p>
			
<p>الرموز ذات الصلة EMC بـ</p>	<p>مواصفات الطاقة</p>	<p>قطع الغيار</p>	<p>المنتجات المتوافقة</p>
	<p>REF</p>		
<p>لا تترك المريض دون مراقب</p>	<p>إصدارات / رقم السلعة</p>	<p>أقصى وزن للمستخدم</p>	<p>وزن المنتج</p>

تحذير !

- احرص على قراءة الدليل بالكامل واستيعابه تمامًا قبل الاستخدام. احتفظ بالدليل في مكان قريب من الوحدة.
- التزم بالإرشادات الواردة في هذا الدليل لتلافي وقوع حوادث قد تؤدي إلى التعرض لإصابة شخصية خطيرة.
- يحظر تمامًا استخدام هذا المنتج أو التعامل معه بطرق أخرى غير تلك المحددة في هذا الدليل، حيث قد يؤدي ذلك إلى تعريض سلامتك الشخصية للخطر وتلف المنتج.
- تأكد من إمام جميع الأشخاص القائمين على تركيب المنتج وأنظمته أو استخدامها بالمعلومات الضرورية ومن إمكانية حصولهم على هذا الدليل.

تنبيه !

- يرجى الالتزام بهذه الإرشادات لتلافي تعرض المنتج للتلف أو التدمير.
- لا تقم بإجراء أي أعمال إصلاح، أو عمليات فك أو تجميع للمكونات، أو توسعات، أو عمليات إعادة ضبط، أو تعديلات بهذا المنتج. يجب عدم إجراء هذه العمليات سوى بمعرفة شركة Pressalit أو الأشخاص المعتمدين من شركة Pressalit.
- يحظر تمامًا السماح للأطفال بتشغيل هذا المنتج دون إشراف. هذا المنتج غير مخصص لأغراض اللعب.
- يحظر تمامًا استخدام المنتج إذا كان معيبًا أو تالفًا. يحظر استخدام المنتج المعيب قبل إجراء أعمال الإصلاح له.

ملاحظة

- تعتمد المعلومات الموضحة في هذا الدليل على التركيب السليم للمنتج وفقًا لإرشادات التجمي ع الخاصة بنا.
- لن تتحمل شركة Pressalit أي مسؤولية في حالة استخدام المنتج بأي طريقة تختلف عن تلك الموضحة في الدليل.
- نحتفظ بالحق في تعديل هذا الدليل دون إشعار مسبق.

الغرض من الاستخدام

هذا المنتج مخصص لرعاية الأشخاص العاجزين عن الوقوف أو الجلوس عند الاستحمام/تغيير الثياب. يستلقي الشخص في وضع أفقي على طاولة الاستحمام.

مواصفات المشغل المعني

هذا المنتج مصمم للاستخدام بمعرفة الأشخاص المدربين على الرعاية الصحية ومساعدة الأشخاص المسؤولين منهم على الاستحمام/التغيير.

مواصفات المستخدم المعني

يمكن استخدام هذا المنتج مع جميع فئات الأشخاص - البالغين والأطفال والشباب والمسنين الذين لا يتعدى وزنهم الحمولة القصوى البالغة 200 كجم.

بيئة التشغيل

المنتج مصمم للاستخدام في البيئات الداخلية الرطبة، مثل الحمامات أو غرف الاغتسال. المنتج مخصص للاستخدام في درجة حرارة الغرفة، في الدور الخاصة، ودور الرعاية والتمريض، والمستشفيات في ظروف العمل العادية.

موانع الاستخدام

لا ينصح باستخدام الوحدة للمرضى الذين لديهم مضخة التسريب أو مضخة الأنسولين أو يعانون من الأمراض الجلدية الالتهابية أو المرضى الذين يعانون من الحمى.

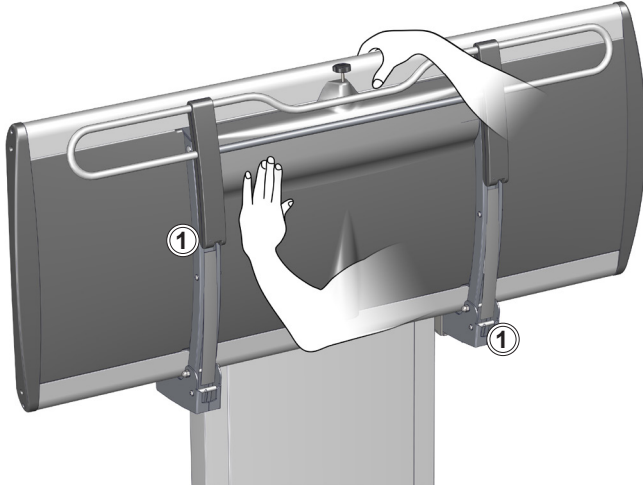
يحظر على المرضى الذين يعانون من قصور القلب وأمراض القلب والأوعية الدموية والإصابة القحفية المخية، والجروح المفتوحة وخطوط التغذية أو التصريف (مثل القسطرة وأنبوب النُّزْح) استخدام هذه الوحدة إلا بعد استشارة الطبيب المعالج.

التوافق الحيوي

تم تقييم المواد التي تلامس جلد المستخدم أثناء الاستخدام المخصص، من حيث احتوائها على مواد مضرّة وفقاً للإجراء الوارد في التقييم البيولوجي BS EN ISO 10993-1:2020 للأجهزة الطبية - الجزء الأول، وبعد التقييم اعتُبرت مناسبة لهذا الغرض.

تنبيه

قد يصبح سطح المنتج ساخناً أو بارداً إذا تعرض لمصادر خارجية للحرارة أو البرودة (مثلاً، ضوء الشمس أو الصقيع).



اسند الطاولة بيدك أو جسمك عند طيها لأعلى ولأسفل لتلافي خطر تلفها.
تساعد أسطوانات الغاز المضمنة على طي الطاولة لأعلى على الحائط بسهولة بعد الاستخدام.

توخ الحذر لتلافي تعرض يديك للإصابة عند الوقوف
على مقربة من قطع الإغلاق الميكانيكية ①.



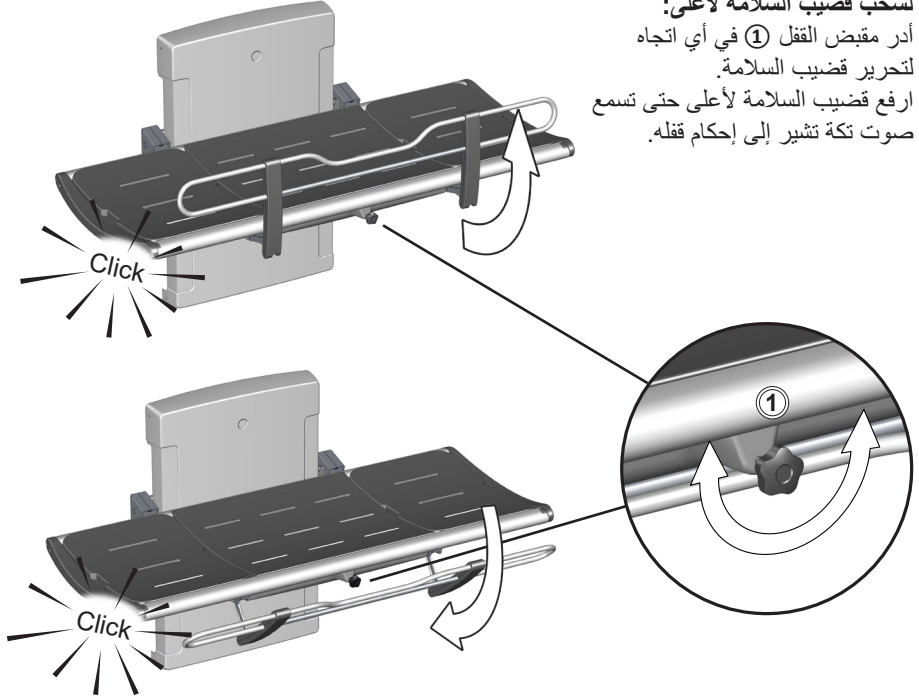
تنبيه

توخ الحذر دائمًا عند نقل أي شخص إلى الطاولة ومنها.

ملاحظة

يجب إبلاغ الشركة المصنعة والسلطات الصحية بأي حادث خطير يقع عند استخدام المنتج.

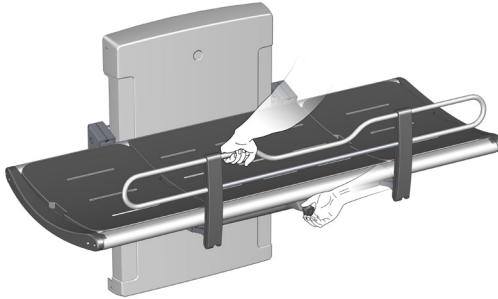
لسحب قضيب السلامة لأعلى:
أدر مقبض القفل ① في أي اتجاه
لتحرير قضيب السلامة.
ارفع قضيب السلامة لأعلى حتى تسمع
صوت تكة تشير إلى إحكام قفله.



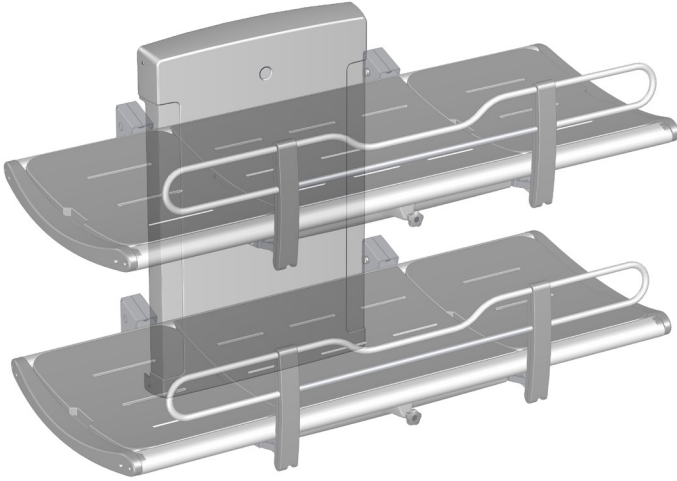
لطي قضيب السلامة بعيداً:
أدر مقبض القفل ① في أي اتجاه لتحرير قضيب السلامة. ادفع قضيب السلامة لإعادته إلى الجانب السفلي
للطاولة حتى تسمع صوت تكة تشير إلى إحكام قفله.

ملاحظة

إذا لم يتم تحرير الأقفال عند تدوير مقبض التحرير، فارفع القضيب برفق لتخفيف الوزن الواقع على آلية القفل. سوف يضمن ذلك تحرير الأقفال.



ضبط الارتفاع



عند تركيب الطاولة على الارتفاع السليم (ارتفاع التركيب الموصى به هو 868 ملم عن الأرض)، يمكن ضبطها بارتفاع يتراوح ما بين 300 و1000 ملم عن الأرض.

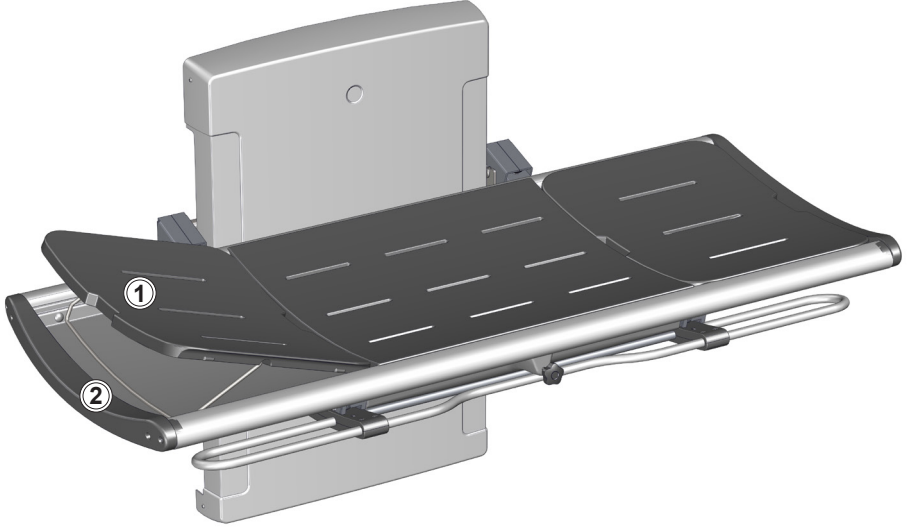
يتم التحكم في ضبط الارتفاع من وحدة التحكم عن بعد الموصلة سلكيًا.

اضغط مع الاستمرار على الزر الذي يشير لأعلى لرفع الطاولة، واضغط مع الاستمرار على الزر الذي يشير لأسفل لخفض الطاولة.



تأكد من عدم وجود أغراض أسفل طاولة الاستحمام عند ضبط الارتفاع.





يمكن استخدام الوسادة الطرفية بمثابة مسند للرأس لتوفير المزيد من الراحة. استخدم موضع الإمساك باليد المجوف ① لرفع الوسادة. قم بطي الكتيفة المعدنية لأسفل ② لتنثبيت الوسادة في الوضع القائم.

يمكن تبديل الوسادتين الطرفيتين ووضعهما عند أي من طرفي الطاولة.

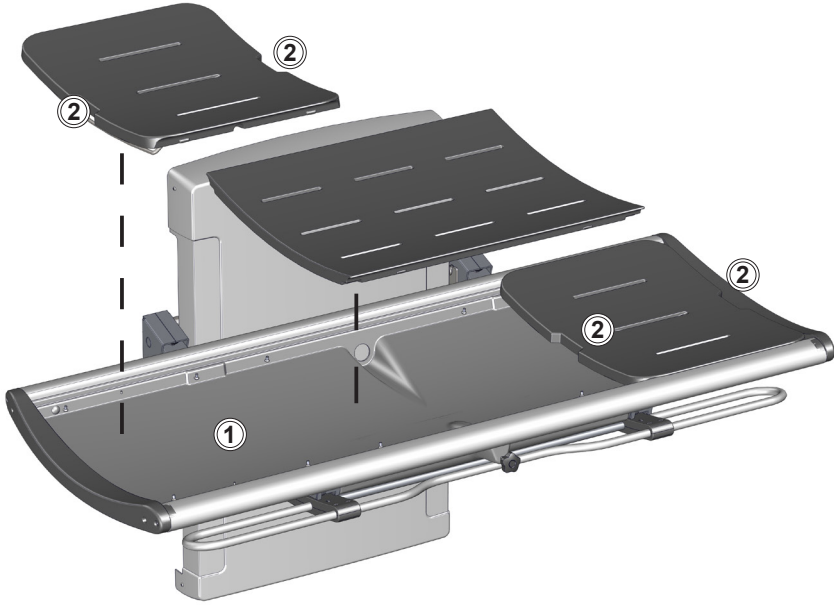
تنبيه

يحظر تمامًا ترك أي شخص يستلقي على طاولة الاستحمام دون وجود الوسائد في مكانها. الدرج الموجود أسفل الوسائد مخصص لتجميع المياه فقط. وهو غير مصمم للاستخدام بمثابة حوض استحمام (بانيو). خطر تعرض المستخدم للإصابة وتلف المنتج.



التنظيف

نظف طاولة الاستحمام بعد كل مرة استخدام لها. استخدم الماء والصابون العادي لتنظيف الطاولة. اغسل الطاولة بالماء النظيف ثم جففها بقطعة قماش ناعمة.



لا تترك الوسائد منقوعة في الماء. قم بفك الوسائد وجفف درج تجميع المياه ①. استخدم مواضع الإمساك باليد المجوفة ② عند رفع الوسائد.

إزالة الترسبات الجيرية

لإزالة علامات الترسبات الجيرية المتركمة على الأجزاء المصنوعة من الألومنيوم، استخدم 3 مقادير من الخل المنزلي بتركيز 30% إلى 7 مقادير من الماء ثم امسح الأجزاء بعد ذلك بقطعة قماش معصورة في ماء نظيف.

في الدول التي تتسم بوجود مستويات مرتفعة نسبيًا من الجير في مصدر المياه، قد تلزم إزالة الترسبات الجيرية المتركمة على الأجزاء المصنوعة من الألومنيوم باستخدام مستحضر لإزالة القشور مثل حمض الأسيتيك. اختبر هذا المستحضر أولاً على مساحة غير ظاهرة عند استخدام الطاولة.

يجب تنظيف المنتج بماء ساخن ومستحضر تنظيف صابوني معتدل.
يمكن العثور على قائمة بمستحضرات التنظيف المناسبة والمختبرة بواسطة Pressalit على
pressalit.com.

تنبيه

احرص دائماً على قراءة ورقة بيانات سلامة المادة (MSDS) والإرشادات المرفقة مع مستحضر التنظيف أو التعقيم أو إزالة القشور والالتزام بإرشادات الاستخدام، والتخفيف، والغسيل، والتجفيف، والتعامل، والتخزين الآمن للمستحضر.

معلومات مهمة

- تجنب استخدام جهاز تعقيم البخار المضغوط أو أي نوع آخر من أجهزة التنظيف بالبخار.
- تجنب استخدام مستحضرات التنظيف القوية التي تحتوي على أحماض.
- يحظر تماماً توجيه الرذاذ الصادر من منظف بالضغط العالي إلى المنتج مباشرةً.
- تجنب استخدام مستحضرات التنظيف أو التعقيم الكاشطة أو المسببة للتآكل أو التي تحتوي على الكلور.

التعقيم

عند استخدام طاولة الاستحمام مع مجموعة من المرضى، فمن الضروري تنظيفها وتعقيمها بين مرات الاستخدام مع مختلف المرضى لتلافي مخاطر انتقال حالات العدوى.

ملاحظة

في حالة تركيب المنتج في أجواء مشبعة بكميات كبيرة من الملح أو الكلور، سوف ينخفض ضمان طاولة الاستحمام من الضمان العادي الذي يبلغ 3 أعوام إلى عام واحد.

يسبب الملح والكلور تآكل مكونات المنتجات الأمر الذي يؤدي بدوره إلى انخفاض العمر الافتراضي المتوقع للمنتج. ولكن، يمكن الحد من الآثار المسببة للتلف في حالة غسل المنتج بماء الصنبور يومياً.

الصيانة

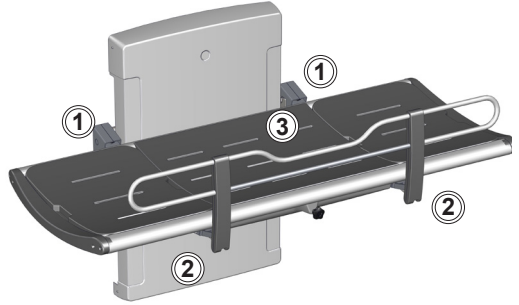
يبلغ عمر الخدمة المتوقع لطاولة الاستحمام 10 أعوام عند استخدامها داخل مؤسسات الرعاية والتمريض،
شريطة إجراء أعمال الصيانة على النحو الموضح أدناه:

يوصى بتشغيل المحركات الموجودة بالمنتج أسبوعيًا بأقصى أوضاع لها عن طريق رفع المنتج حتى الارتفاع
الكامل له ثم خفضه إلى أدنى موضع، لكي يتم تشحيم القطع الداخلية.

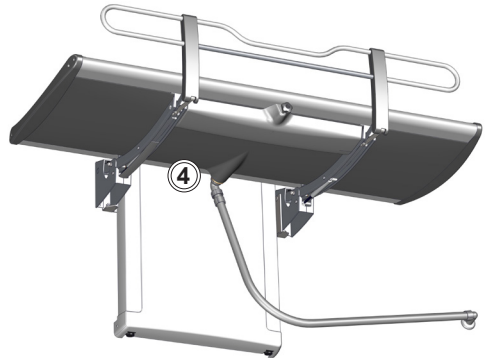
يوصى بإجراء فحص الصيانة مرة كل عام.

فحص الصيانة

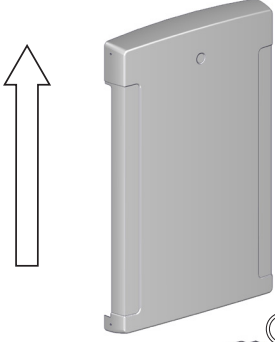
- افحص المفصلات ① الموجودة بالطاولة وقضيب السلامة ②. أحكم ربطها إذا لزم الأمر.
- افحص الوسائد ③ بحثًا عن وجود تلف بها



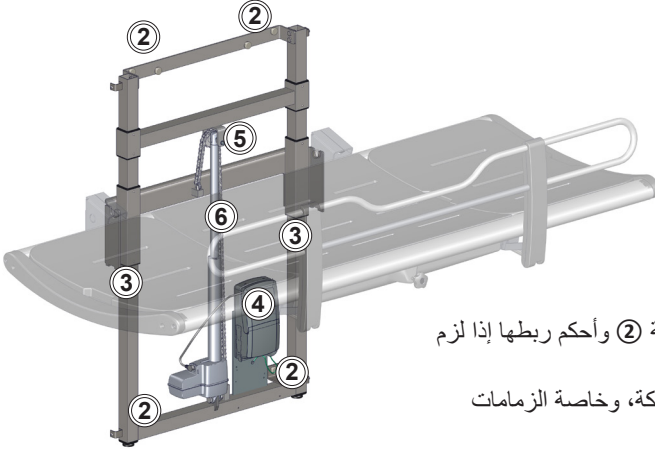
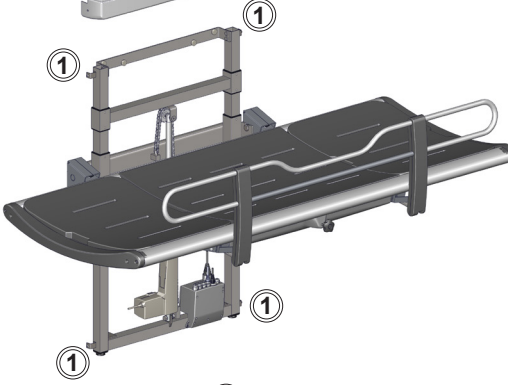
- واستبدالها إذا لزم الأمر.
- افحص وصلات أنبوب التصريف ④، وافحص محبس المياه (في حالة تركيب واحد) وقم بتنظيفه.



افصل مصدر الطاقة الرئيسي قبل رفع
الأغطية.

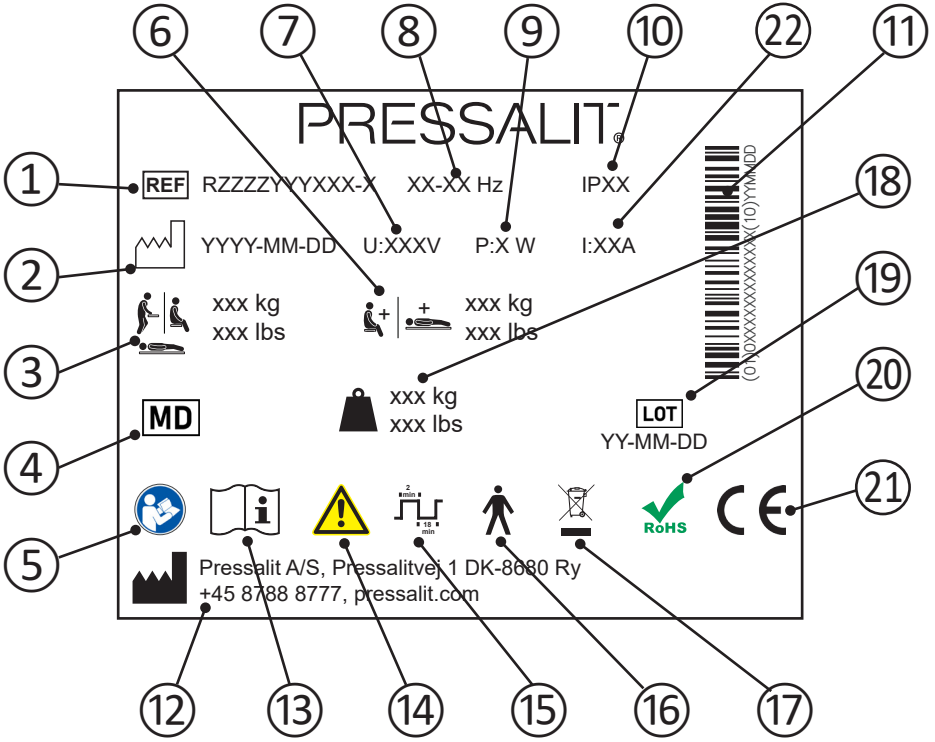


قم بفك براغي التثبيت العلوية والسفلية ① الموجودة
بغطاء وحدة الرفع ثم ارفع الغطاء بحرص.



- افحص الكنائف الحائطية ② وأحكم ربطها إذا لزم الأمر.
- قم بتزييت القطع المتحركة، وخاصة الزمامات الزلقة ③.
- افحص جميع التوصيلات الكهربائية الخاصة بصندوق التحكم ④.
- افحص عجلة السلسلة ⑤ للتأكد من عدم وجود بلى بها.
- قم بتزييت السلسلة ⑥.
- أعد تركيب غطاء الوحدة في موضعه وأحكم ربط براغي التثبيت.

ملصق تعريف المنتج



رقم السلعة ①

تاريخ الإنتاج ②

أقصى وزن للمستخدم ③

جهاز طبي ④

راجع دليل الاستخدام ⑤

حمولة العمل الآمنة ⑥

الجهد الكهربائي لمصدر الطاقة الرئيسي ⑦

التردد ⑧

أقصى استهلاك للطاقة ⑨

فئة IP (10)

الرمز الشريطي GS1-128 (11)

اسم الشركة المصنعة وعنوانها (12)

راجع دليل الاستخدام (13)

راجع الدليل للتعرف على معلومات تحذيرية مهمة مثل التحذيرات والتنبيهات (14)

دورة العمل (15)

جزء يلامس المريض من النوع B، جزء من المنتج يلامس المريض بالضرورة بصورة مادية خلال الاستخدام العادي لأداء وظيفته. (16)
يتوافق المنتج مع متطلبات معايير IEC 60601-1 لتوفير الحماية من الصدمات الكهربائية

لا تتخلص من المنتج باعتباره نفايات محلية غير مصنفة. يجب تجميع المنتج على حدة وإعادته إلى خدمة إعادة التدوير المخصصة. (17)

وزن المنتج (18)

كود المجموعة (19)

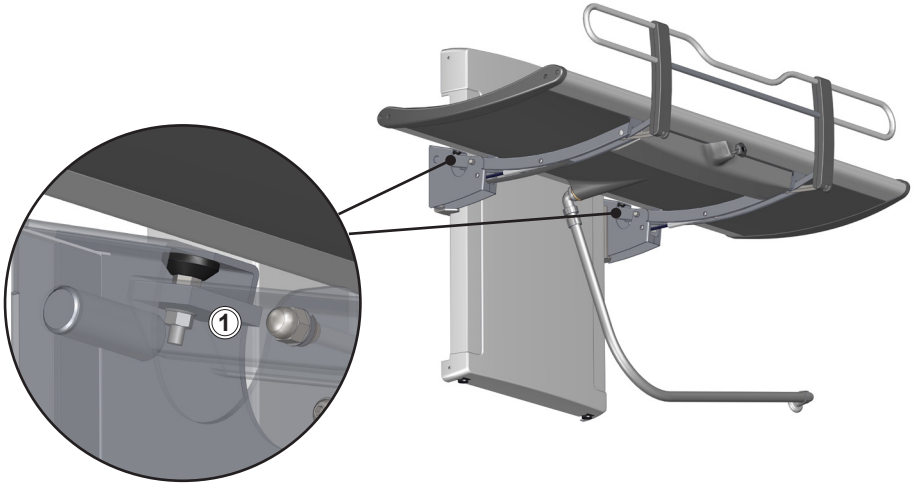
لا يحتوي هذه المنتج على أي مواد خطرة مذكورة في توجيه مجلس الاتحاد الأوروبي رقم 2011/65/EC حول الحد من المواد الخطرة. (20)

يحمل هذا المنتج علامة CE وفقاً لتوجيه الأجهزة الطبية الأوروبي رقم EEC/٤٢/٩٣، بما في ذلك التعديلات المضمنة في توجيهه رقم EEC/٤٧/٢٠٠٧. يمكن الاطلاع على إعلان المطابقة على pressalit.com (21)

التيار الكهربائي (22)

استكشاف المشكلات وإصلاحها

العرض	السبب	الإجراء
طاولة الاستحمام لا تظل في الوضع القائم.	هناك أسطوانة غاز واحدة أو أكثر معيبة.	اتصل بشركة Pressalit A/S أو الوكيل المحلي في منطقتك.
المنتج لا يعمل، بالرغم من استخدام وحدة التحكم عن بعد بصورة صحيحة.	عطل في مصدر الطاقة.	تأكد من سلامة جميع الأسلاك والقوابس وتوصيلها بصورة صحيحة. اتصل بشركة Pressalit A/S أو الوكيل المحلي في منطقتك.
لا يتم تصريف المياه من درج تجميع المياه.	براغي الضبط مرتفعة أو منخفضة للغاية.	اضبط براغي الضبط ①.
طاولة الاستحمام تتحرك لأعلى ولأسفل بشكل غير متساوٍ.	لم يتم تشحيم الزمامات الزلقة بقدر سليم.	قم بنزيب الزمامات الزلقة على النحو الموضح في قسم "الصيانة".



اتصل بشركة Pressalit أو الوكيل الذي تتعامل معه في حالة تعذر إصلاح المشكلة. لا تحاول إصلاح المنتج بنفسك، حيث سيؤدي ذلك إلى إبطال الضمان.

التوافق الكهرومغناطيسي

الجهاز مناسب للاستخدام في المنزل أو في مراكز الرعاية النهارية أو المراكز النهارية للأشخاص من ذوي الإعاقة الجسدية أو العقلية أو في المستشفيات باستثناء تلك الأجهزة التي بالقرب من المعدات الجراحية ذات التردد العالي النشطة والغرف المحمية بالترددات الراديوية المزودة بأنظمة طبية للتصوير بالرنين المغناطيسي مع ارتفاع كثافة الاضطرابات الكهرومغناطيسية.

لا يشمل الجهاز أي وظيفة مرتبطة بالسلامة الأساسية أو الأداء الأساسي. في حال ضعف أداء المنتج أو تدهوره بسبب الاضطرابات الكهرومغناطيسية، لا يزال بإمكان المستخدم النزول عن المنتج وصعوده.

الكابل	الكابل
كابل الطاقة	3.2 م
كابل حلزوني يتم التحكم فيه باليد	5 م تقريباً ممتد

تحذير!

- قد يؤدي استخدام ملحقات ومحولات وكابلات غير تلك التي سبق تحديدها أو المقدمة من الشركة المصنعة إلى زيادة الانبعاثات الكهرومغناطيسية أو انخفاض الحصانة الكهرومغناطيسية لهذه المعدات وينتج عن ذلك أداء غير صحيح.
- يجب استخدام معدات الاتصال اللاسلكية ذات الترددات الراديوية المحمولة (بما في ذلك الوحدات الملحقة مثل كابلات الهوائيات والهوائيات الخارجية) على مسافة لا تزيد عن 30 سم لأي جزء من الوحدة، بما في ذلك الكابلات الخاصة بها، لتجنب أي تدهور في أداء هذه الوحدة.
- يجب تفادي استخدام هذه المعدات بالقرب من معدات أخرى أو ملاصقة لها، لأنها يمكن أن تؤدي إلى التشغيل بطريقة غير مناسبة. إذا كان هذا الاستخدام ضروريًا، فينبغي مراعاة هذه المعدات والمعدات الأخرى للتحقق من أنها تعمل بصورة طبيعية.

الحصانة الكهرومغناطيسية

التفريغ الإلكترونيستاتيكي	
يجب ألا يتأثر المنتج بالتفريغ الإلكترونيستاتيكي بين شخص ما والمنتج بطريقة تؤدي إلى بدء الإجراءات أو تجعل المكونات معيبة.	
مستوى اختبار الحصانة	معيار الاختبار
وصلة +/- 8 كيلو فولت هواء +/- 2، 4، 8، 15 كيلو فولت	EN 61000-4-2
مجالات الكهرومغناطيسية الناجمة عن الترددات الراديوية	
يجب ألا يتأثر المنتج بالإشارات الناجمة عن الترددات لاسلكي، والتي يمكن أن الإشارات المنبعثة من هاتف محمول أو جهاز لاسلكي، والتي يمكن أن تتسبب في اتخاذ المنتج إجراءات أو تجعل المكونات معيبة.	
مستوى اختبار الحصانة	معيار الاختبار
15 فولت / متر 80 ميغاهرتز إلى 1000 ميغاهرتز (فقط في الأمام) 15 فولت / متر 1,01 جيجا هرتز إلى 3 جيجا هرتز AM % 1 80 كيلو هرتز	EN 61000-4-3

حصانة ضد مجالات التقارب من معدات الاتصال اللاسلكية ذات الترددات الراديوية



يجب ألا يتأثر المنتج بالإشارات الناجمة عن الترددات لاسلكي، والتي يمكن أن الإشارات المنبعثة من هواتف محمول أو جهاز لاسلكي، والتي يمكن أن تتسبب في اتخاذ المنتج إجراءات أو تجعل المكونات معيبة.

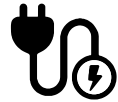
مستوى اختبار الحصانة

معييار الاختبار

*EN 61000-4-3

385 ميغا هرتز، 27 فولت / متر، 18 هرتز PM (50% من موجة مربعة بدورة عمل)
 450 ميغا هرتز، 28 فولت / متر، انحراف 5 +/- FM كيلو هيرتز، جيب الزاوية 1 كيلو هرتز
 710 ميغا هرتز، 9 فولت / متر، 217 هرتز PM (50% من موجة مربعة بدورة عمل)
 745 ميغا هرتز، 9 فولت / متر، 217 هرتز PM (50% من موجة مربعة بدورة عمل)
 780 ميغا هرتز، 9 فولت / متر، 217 هرتز PM (50% من موجة مربعة بدورة عمل)
 810 ميغا هرتز، 28 فولت / متر، 18 هرتز PM (50% من موجة مربعة بدورة عمل)
 870 ميغا هرتز، 28 فولت / متر، 18 هرتز PM (50% من موجة مربعة بدورة عمل)
 930 ميغا هرتز، 28 فولت / متر، 18 هرتز PM (50% من موجة مربعة بدورة عمل)
 1720 ميغا هرتز، 28 فولت / متر، 217 هرتز PM (50% من موجة مربعة بدورة عمل)
 1845 ميغا هرتز، 28 فولت / متر، 217 هرتز PM (50% من موجة مربعة بدورة عمل)
 1970 ميغا هرتز، 28 فولت / متر، 217 هرتز PM (50% من موجة مربعة بدورة عمل)
 2450 ميغا هرتز، 28 فولت / متر، 217 هرتز PM (50% من موجة مربعة بدورة عمل)
 5240 ميغا هرتز، 9 فولت / متر، 217 هرتز PM (50% من موجة مربعة بدورة عمل)
 5500 ميغا هرتز، 9 فولت / متر، 217 هرتز PM (50% من موجة مربعة بدورة عمل)
 5785 ميغا هرتز، 9 فولت / متر، 217 هرتز PM (50% من موجة مربعة بدورة عمل)

التحويل السريع من الكهرباء/الدفقات




يجب ألا يتأثر المنتج بإشارات النبض السريع عبر السلك. يمكن أن يسبب هذا في أن تصبح المكونات معيبة أو قد يؤدي إلى أن يبدأ المنتج الإجراءات.

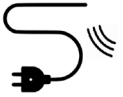
مستوى اختبار الحصانة

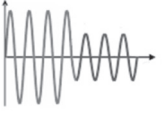
معييار الاختبار

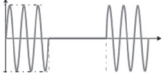
EN 61000-4-4

+/- 1 كيلو فولت، +/- 2 كيلو فولت
 100 كيلو هرتز تردد التكرار


ارتفاع الحصانة	
يجب ألا يتأثر المنتج بطريقة تؤدي إلى بدء إجراءات أو جعل المكونات معيبة نتيجة الصواعق.	
مستوى اختبار الحصانة	معيار الاختبار
خط إلى خط: +/- 0.5 كيلو فولت، +/- 1 كيلو فولت خط إلى الأرض: +/- 0.5 كيلو فولت، +/- 1 كيلو فولت، +/- 2 كيلو فولت	EN 61000-4-5


حصانة ضد الاضطرابات الناجمة عن التوصيل بمجالات ترددات الراديو	
يجب ألا تتأثر الأسلاك بمجالات ترددات الراديو الأخرى بطريقة تؤدي إلى بدء الإجراءات أو تجعل المكونات معيبة.	
مستوى اختبار الحصانة	معيار الاختبار
3 فولت (6 فولت في حزمة ISM وتردد راديو الهواة) 0,15 إلى 80 ميغا هرتز، 80% AM عند 1 كيلو هرتز	EN 61000-4-6


انحسارات الجهد	
يجب ألا يبدأ المنتج الإجراءات أو يحددها نتيجة انخفاض مفاجئ في جهد وحدة الإمداد بالتيار.	
مستوى اختبار الحصانة	معيار الاختبار
U _T 0%، 0.5 دورة عند 0 درجة، 45 درجة، 90 درجة، 135 درجة، 180 درجة، 225 درجة، 270 درجة و315 درجة، U _T 0%، 1 دورة عند 0 درجة، U _T 70%، 25 دورة عند 0 درجة أحادي الطور عند 0 درجة	EN 61000-4-11


انقطاعات الجهد الكهربائي	
يجب ألا يبدأ المنتج الإجراءات أو يحد منها نتيجة توقف وحدة الإمداد بالتيار قصير الأجل.	
مستوى اختبار الحصانة	معيار الاختبار
0% U _T ، 300 دورة	EN 61000-4-11

الانبعاثات الكهرومغناطيسية

الانبعاثات الناجمة عن الترددات الراديوية	
يجب ألا يُصدر المنتج الكثير من الضوضاء داخل الشبكة. يمكن أن يؤدي هذا إلى تعطل منتجات أخرى.	
فئة ومجموعة اختبار الانبعاثات	معيار الاختبار
فئة ب، مجموعة 1	EN 55011

الانبعاثات الناجمة عن الترددات الراديوية	
يجب ألا يُصدر المنتج إشارات ترددات راديوية في الغرفة. يمكن أن يؤدي هذا إلى تعطل منتجات أخرى.	
فئة ومجموعة اختبار الانبعاثات	معيار الاختبار
فئة ب، مجموعة 1	EN 55011

انبعاثات التيار الكهربائي المتوافقة	
يجب ألا يسحب هذا المنتج الطاقة بدون قصد من الشبكة.	
فئة ومجموعة اختبار الانبعاثات	معيار الاختبار
فئة أ	IEC 61000-3-2

تغيرات الجهد الكهربائي وتقلبات الجهد الكهربائي والوميض	
يجب ألا يؤثر المنتج على منتجات أخرى عند توصيله بالشبكة. على سبيل المثال، يمكن أن تكون هذه أضواء يمكن أن تبدأ في الوميض ومن ثم تزج الأشخاص الموجودين في الغرفة.	
فئة ومجموعة اختبار الانبعاثات	معيار الاختبار
تم اختباره وفقاً للمعيار.	EN 61000-3-3

التخلص من المنتج وإعادة تدويره

تحتوي الوحدة على مواد قابلة لإعادة الاستخدام. لا توجد أخطار أو مخاطر معروفة مرتبطة بالتخلص من المنتج. يمكن التخلص من جميع المكونات بعد تنظيفها وتعقيمها.

عند التخلص من المنتج، نوصي بتفكيك مكوناته وتقسيمها إلى مجموعات مختلفة من النفايات من أجل إعادة تدويرها أو حرقها.

يوفر الجدول التالي معلومات حول إعادة تدوير المنتج والتعامل معه.

المادة	المكونات القابلة لإعادة التدوير
الألومنيوم هو مادة قابلة لإعادة التدوير نظريًا بنسبة 100% دون أن يترتب على ذلك أي فقدان لخواصه الطبيعية. وهو لا يتطلب سوى 5% من الطاقة المستخدمة لإنتاج الألومنيوم الأولي. يمتاز الألومنيوم المعاد تدويره بجودة فائقة تجعله صالحًا للاستخدام مرات ومرات، حتى في حالة المنتجات المطلية بأكسيد الألومنيوم نظرًا لأن طبقة أكسيد الألومنيوم تمثل جزءًا طبيعيًا من الألومنيوم.	الألومنيوم
يمكن إعادة تدوير الصلب من خلال إعادة صهره وإدخاله كمادة ثانوية في إنتاج صلب جديد.	الصلب
يتم تحويل الكلوريد متعدد الفينيل الصلب إلى حبيبات وإعادة صهره. استخدم أنظمة فرز المواد البلاستيكية وإعادة تدويرها في أماكن توفرها محليًا، بخلاف ذلك يتسم حرق البلاستيك بميزة إضافية تتمثل في توليد الطاقة، والتي يمكن استخدامها، على سبيل المثال، لإنتاج الحرارة والطاقة بشكل مشترك.	الكلوريد متعدد الفينيل والبوليستيرين
شأن أنواع البلاستيك الأخرى، يمكن إعادة تدوير البولي يوريثان بطريقتين أساسيتين: إعادة التدوير الميكانيكية التي يتم فيها إعادة استخدام المادة في شكل البوليمر، وإعادة التدوير الكيميائية التي تُعيد المادة إلى مكوناتها الكيميائية المتنوعة.	البولي يوريثان
يجب تجميع المكونات الإلكترونية على حدة وإعادتها إلى خدمة إعادة التدوير المخصصة.	المكونات الإلكترونية

www.pressalit.com

- en** Visit our website to find your local dealer and get further information about Pressalit and our solutions for bathrooms and kitchens.
-
- dk** Besøg vores hjemmeside for at finde din lokale forhandler og få yderligere oplysninger om Pressalit og vores løsninger inden for bad og køkken.
-
- de** Besuchen Sie unsere Website, und finden Sie einen Händler in Ihrer Nähe, um mehr über Pressalit und unsere Lösungen für Badezimmer und Küchen zu erfahren.
-
- fr** Rendez-vous sur notre site Internet pour trouver les coordonnées du revendeur le plus proche et obtenir des informations sur Pressalit et nos solutions pour la salle de bains et la cuisine.
-
- nl** Breng een bezoek aan onze website om te zien waar u onze producten kunt kopen en voor meer informatie over Pressalit en onze oplossingen voor badkamers en keukens.
-
- sv** Besök vår webbplats för att hitta en lokal återförsäljare och för mer information om Pressalit och våra lösningar för kök och badrum.
-
- no** Besøk nettstedet vårt for å finne din lokale forhandler og få ytterligere informasjon om Pressalit og løsningene våre for bad og kjøkken.
-
- es** Visite nuestro sitio Web para localizar su distribuidor local y obtener información adicional sobre Pressalit y nuestras soluciones para cuartos de baño y cocinas.
-
- pl** Odwied nasz stron www, gdzie znajdziesz lokalnego dystrybutora oraz informacje o Pressalit i naszych rozwiązaniach dla łazienek oraz kuchni.
-
- 中文** 请访问我们的网站查询您所在地的经销商，以便获得关于Pressalit 以及我们其他浴室和厨房用品更详细的信息资料。

العربية قم بزيارة موقع الويب الخاص بنا لمعرفة الوكيل المحلي في منطقتك والحصول على المزيد من المعلومات حول شركة Pressalit وحلول الحمامات والمطابخ التي نقدمها.

