



Creating balance in healthcare



# Lotus Active standup aid



5900 8100

# Lotus Active stand up aid



- Maximum load 200 kg.
- Comfortable lower leg support.
- Rotating seat parts.
- Mechanical base spreading.
- Variable grips.
- Ideal sitting angle.
- Hand grip for easy manoeuvring.
- Swivel bearings.
- Solid footplate.
- 2 plastic castors, fitted with brakes.

5900 8100

## Lotus Active standup aid with mechanical base spreading

The Lotus is an active stand-up aid, for people who are still able to stand independently and have sufficient trunk stability, but can no longer walk or find it hard to do so. Once the client has sat down on the Lotus, the carer can safely and efficiently move him or her.

The Lotus is intended for short transfers, for example from bed to toilet. As the client sits down in an active sitting position, less strength is required to get back into a standing position.

Both client and carer will find this aid very comfortable to use. The Lotus has swing-away seat pads, flexible lower-leg supports and spreading legs.

The spreading legs ensure that the Lotus can be moved close to the client, who can then actively sit down on it. The Lotus encourages the client to participate actively in transfers. This participation trains the muscles and so improves independence.





Suitable for people with a mild to moderate disability



*Rotating seat parts.*



*Mechanical base spreading.*



*Wheel blocking.*



*Variable grips.*



*Comfortable lower leg support.*



*Transfer from wheelchair.*

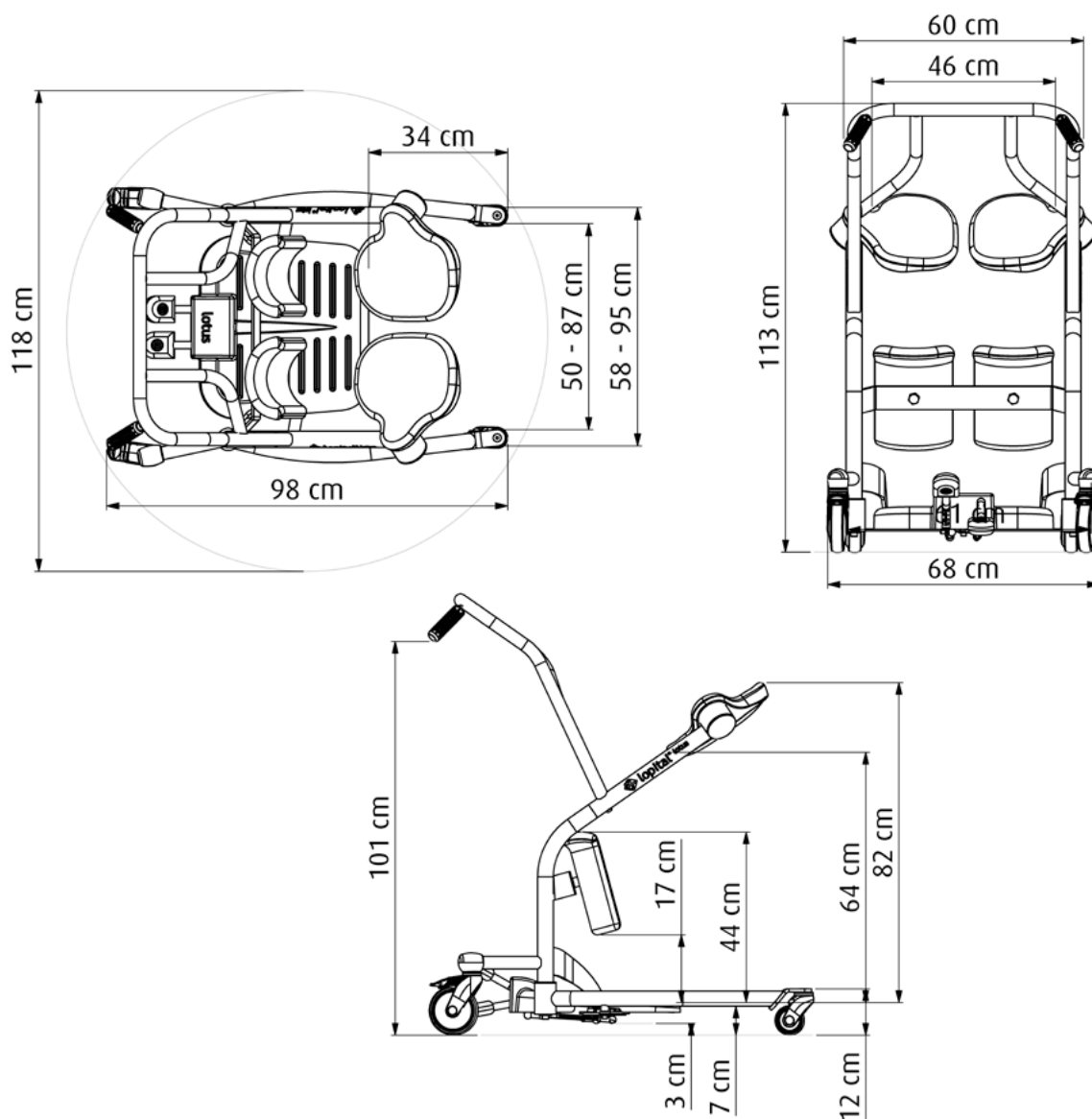


*Transfer to bed.*



## Technical specifications

- Max. load 200 kg / 440 lbs
- Product weight 35 kg / 77.2 lbs
- Total length basic frame 98 cm / 38.6 inch
- Total width narrow position 68 cm / 26.8 inch
- Total width with base spread 95 cm / 37.4 inch
- Total height basic frame 113 cm / 44.5 inch
- Turning radius 118 cm / 46.5 inch



For more information, visit our website: [www.lopital.com](http://www.lopital.com)

Lopital Nederland B.V., Laarakkerweg 9, 5061 JR Oisterwijk, Postbus 56, 5060 AB Oisterwijk  
 Tel +31 (0)13 5239300, Fax +31 (0)13 5239301, E-mail [info@lopital.nl](mailto:info@lopital.nl), [www.lopital.nl](http://www.lopital.nl)

