



Ropox Nursing table Maxi 2



Usermanual

Mounting Instruction

This manual need to follow the product

Contents

Product information	3
Item number	3
Technical data	4
Daily use	4
Recommendations for use	5
Important information before mounting	6
Placement of 230V socket, hot and cold water and drain	6
Receiving the nursing table	7
Dimension sketch	7
Mounting Instructions	7
1.Mounting to the wall	8
2. Mounting of the lower cover	11
3. Mounting of the upper cover	11
4. Connection of the worktop	12
5. Connection of the safety stop	13
6. Connection of water and drain	14
Wiring circuit	18
Connections.....	19
Dismounting	19
Performance test.....	20
Labelling	21
Label.....	21
Symbols:.....	21
Support.....	22
Troubleshooting	22
Waste	22
Factors affecting the product during storage and transport.....	22
Maintenance	23
Cleaning.....	23
Declaration of conformity.....	28
Claims.....	28

Product information



It is important to read this manual before mounting and use of the nursing table.

Product : Ropox Nursing table Maxi 2, Heightadjustable

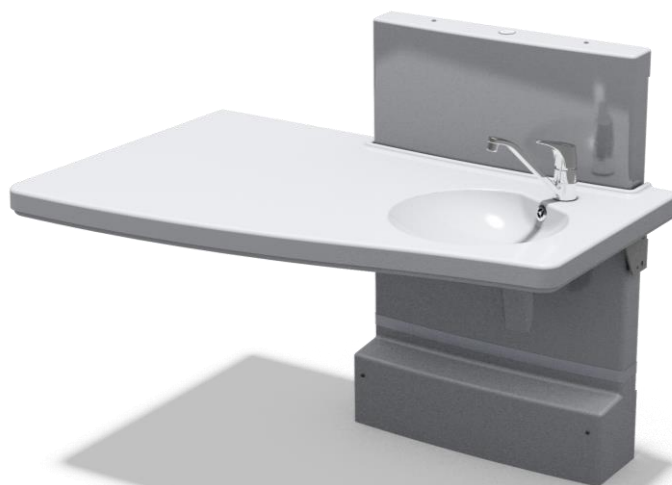
Producer : Ropox, DK-4700 Naestved, Tel. +45 55 75 05 00

The height adjustable nursing table is designed for nursing children up to 75 kg. The nursing table can be used in private homes, daycare centers or similar institutions to ensure correct and optimal working conditions for staff.

The height adjustment is performed by pressing the up and down buttons on the handset.

Item number

Length of the nursing table	Part no.
90cm	50-50672
130cm	50-50670



General informations

Technical data

Power consumption:	230V, 50Hz, max 2.0A
Standby consumption:	7W
Duty cycle:	Maks. 10%, 2min/18min
Height:	Workheight 40 – 100cm
Speed:	50mm/s
Material – the frame:	Welded steeltubes St.37, stainless steel and aluminum
The worktop:	ABS/PMMA
Surface:	Powder-coated, white RAL 9010 mat, chromate
Max. load:	75 kg



This product has CE marked according to the Machinery, Low Voltage and EMC Directives. It has been tested according to European standards DS / EN ISO 12182 and DS / EN ISO the 60335th

Daily use

Before using this product, it is important that the main power is applied as described under electrical connections.

The height of the nursing table is adjusted by pressing the up and down buttons on the handset.



Max. load on the nursing table: 75kg.

Warning !!

During height adjustment of the nursing table, there is a risk of getting jammed between table and adjacent objects.

Before using the table, ensure that there are no objects preventing movement of the table.

!! The product must NOT be operated by children!!

General informations

Recommendations for use

Height adjustment allows individual working height for each employee and can also help to reduce the number of lift when transferring from example: a wheelchair user.

To ensure optimum utilisation of the functions of the nursing table and to avoid accidents, it is important to observe these basic safety procedures.

NEVER leave a child on the nursing table unattended - not even for a short period.

The nursing table should only be used by adults.

Pay special attention to other people who may stay in the room while using the nursing table. Make sure that no children are playing under or with the table.

Make sure that children cannot operate the nursing table unintentionally.

See that there is free space above and below the table to allow height adjustment. Make sure that there are no obstacles above, below or around the nursing table in order to avoid the risk of getting jammed during height adjustment.

If the handset is damaged or does not work, replace it immediately. The buttons are of the "press and keep pressed" type. The motor stops when the press on the button removed. This is an important safety factor.

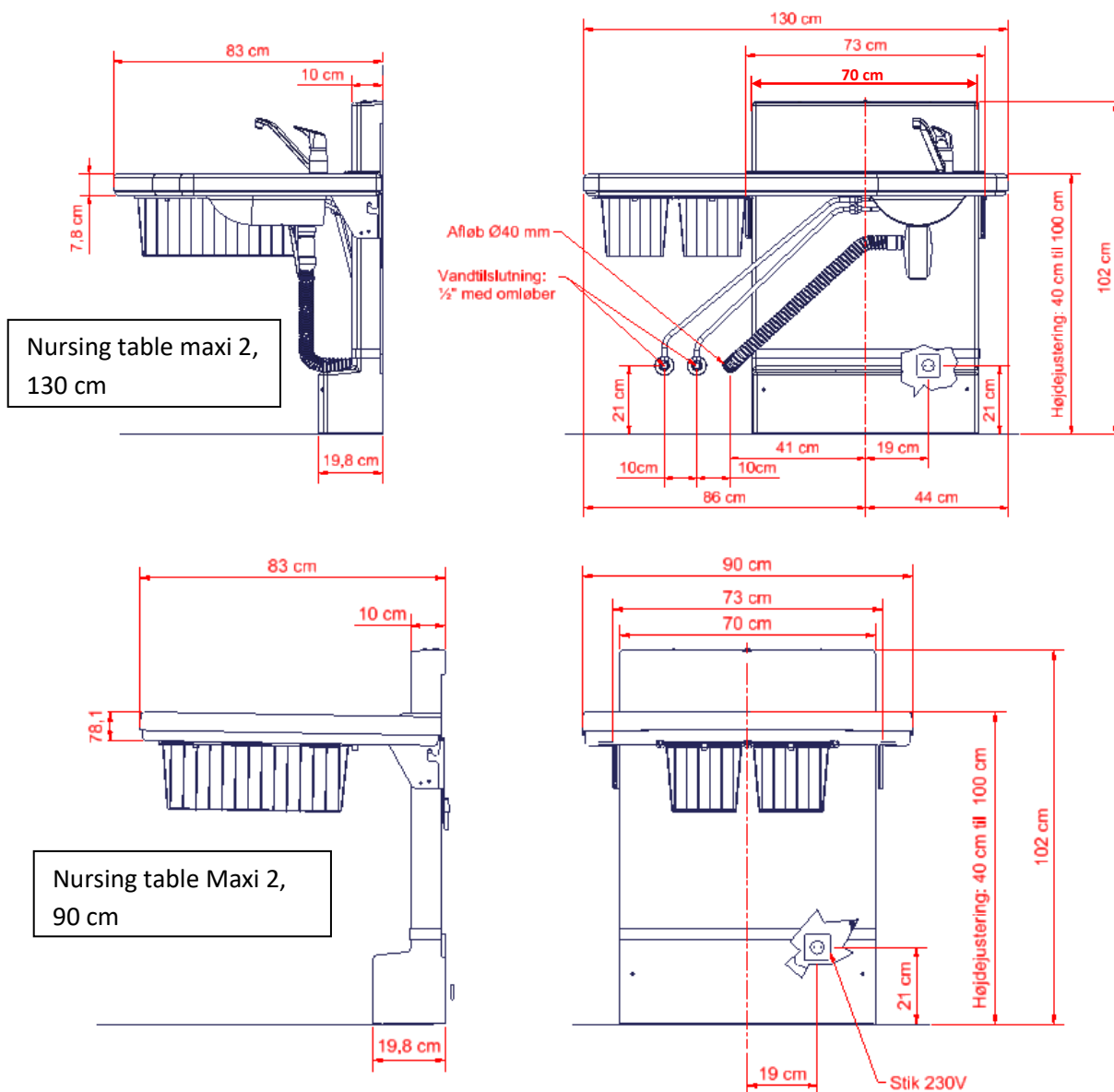
If two nursing tables are mounted in the immediate vicinity of each other, it is recommended to mount a side cover between them to prevent the risk of getting jammed.

Be constantly aware of objects under the nursing table.

Mounting instruction

Important information before mounting

Make sure that there is free space on all sides of the nursing table as shown below.



Placement of 230V socket, hot and cold water and drain

If possible, socket for 230V and drain and connection for hot and cold water should be located as shown on the above sketch.

The length of the mains cable is 3,2 m.

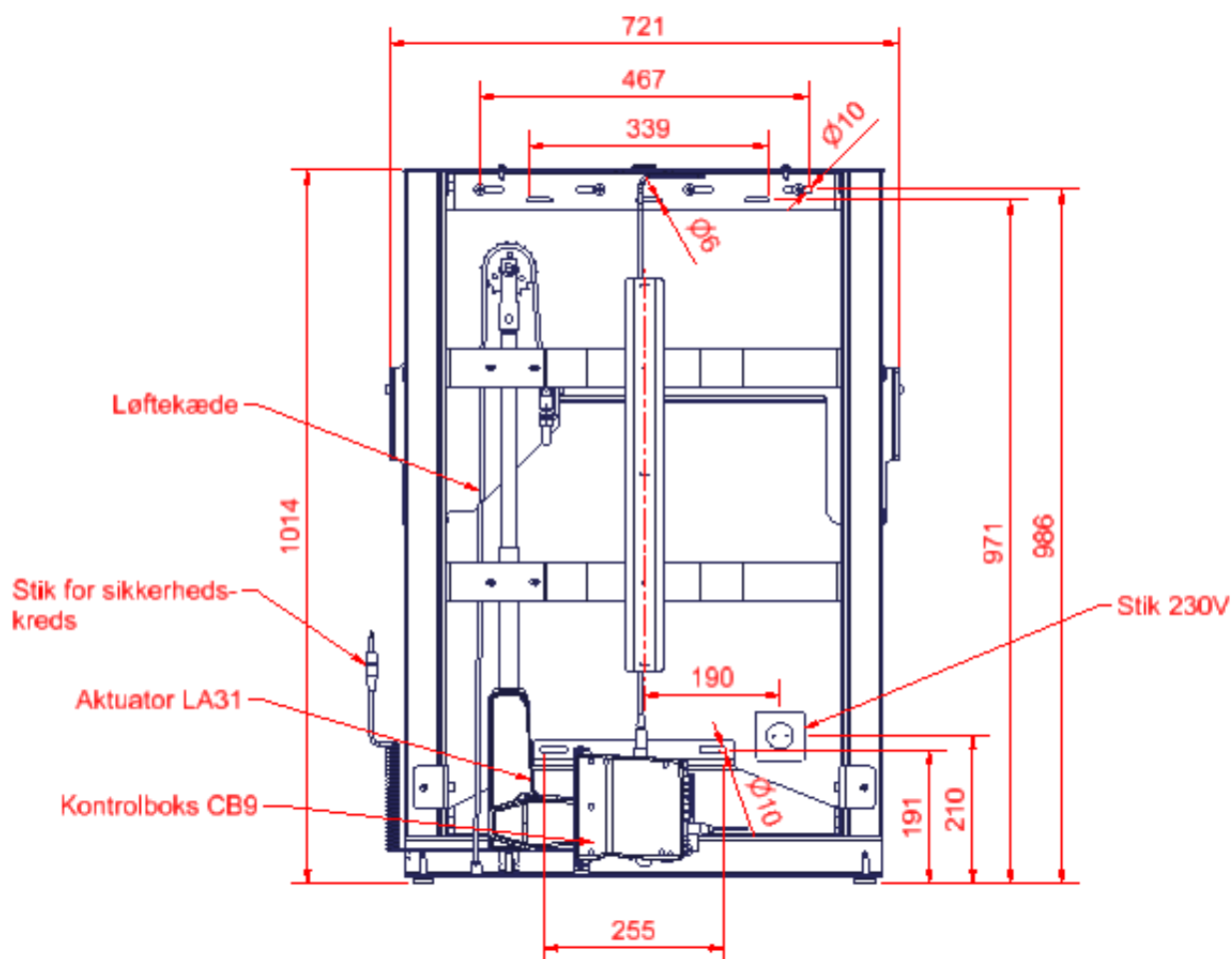
Mounting instruction

Receiving the nursing table

These mounting instructions comprise:

Lifting unit	x1	Mounting screws	x7
Covers for the lifting unit	x1	Rawlplugs	x7
Worktop	x1	Bolts M5 x 25	x6
Bolt M4 x 10	x9		
Safety plate	x1	Bolts M8 x 20	x2
Drain and water hose kit	x1	Cable, Safety stop	x1

Dimension sketch



Mounting Instructions

1. Mounting to the wall

The nursing table is being supplied with a set (8 pcs) of screws and rawlplugs, which is ONLY used to mount the unit in a concrete wall. The installer must always examine the material, condition and strength of the wall and use appropriate screws and rawlplugs.

Nursing table has a max user weight of 75 kg.

Maximum load in the top screws are 20kg for each screw.

If you have other objects mounted right next to this nursing table, you have to consider the risk of trapping, and therefore consider a safe distance to other objects.

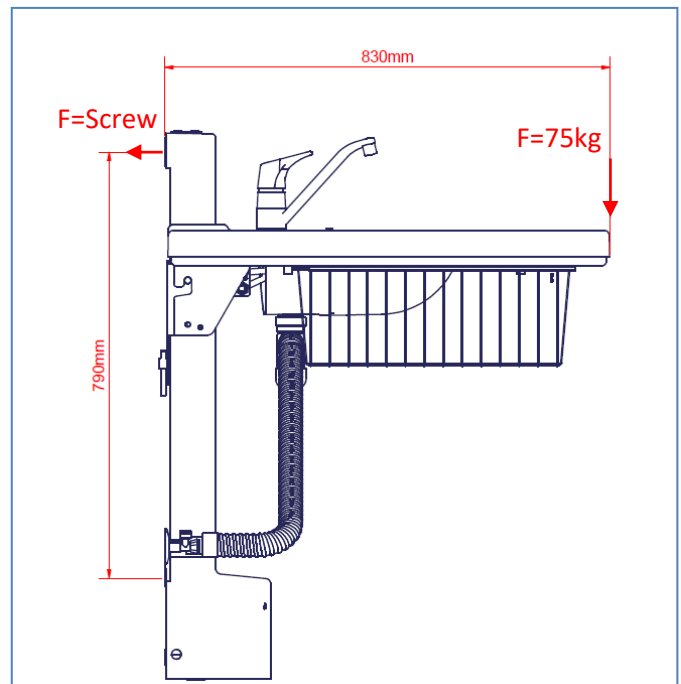
The holes for fastening can be marked up on the wall, four possibilities in the top, and four in the bottom of the frame. Place the frame against the wall and make sure it is horizontal. The frame is standing on two adjustable feet. The holes in the frame are all \varnothing 10 mm. Remove the frame and drill the holes.

Make sure that no dust or other obstacles are interfering with the rollers, chain, sprocket or gas springs. This can cause malfunction and damage the system

Force for each of the four screws in top of the unit:

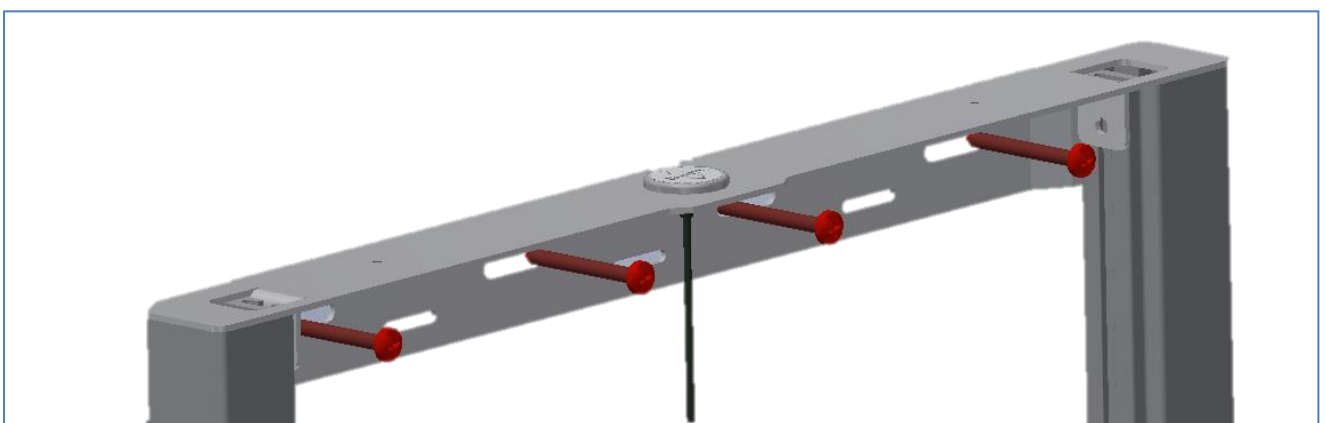
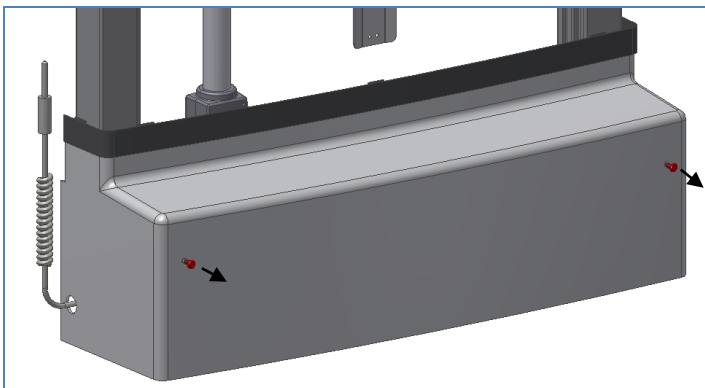
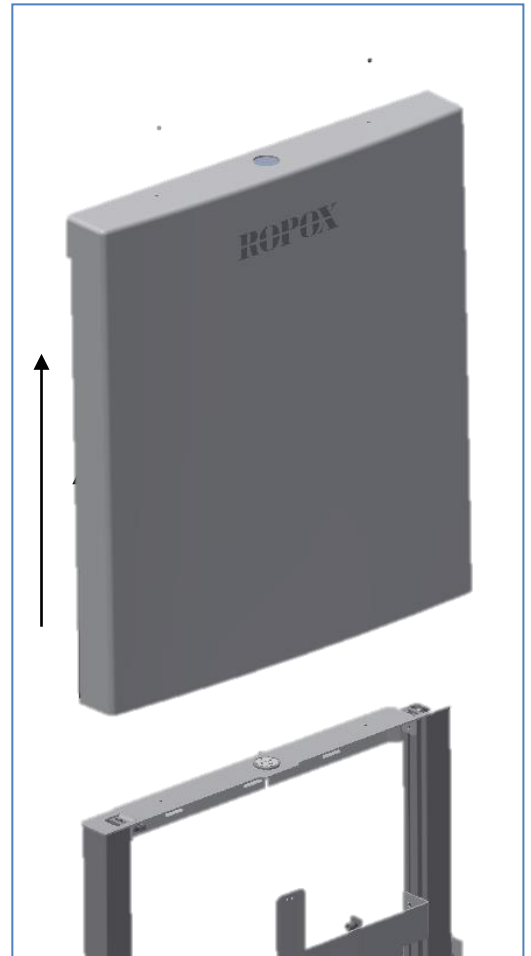
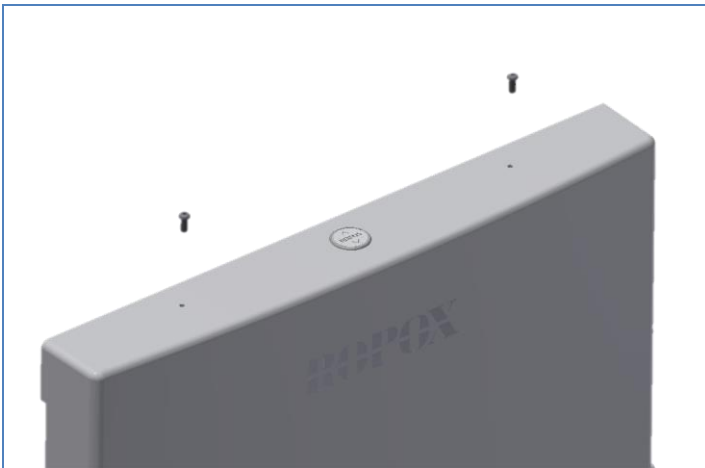
$$F_{\text{screw}} = (75 \text{ kg} * 830) / (790 * 4 \text{ screws})$$

$$F_{\text{screw}} = 20 \text{ kg for each screw}$$

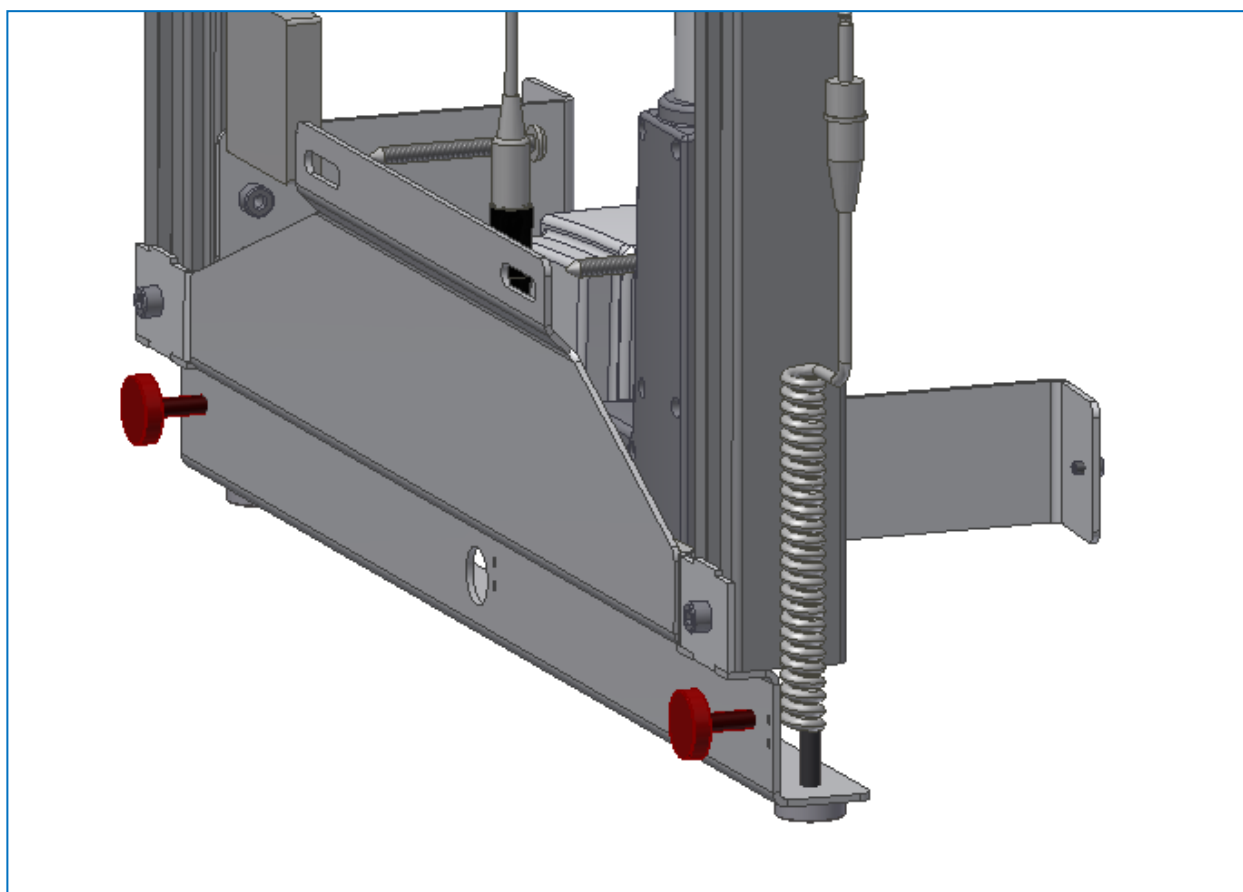
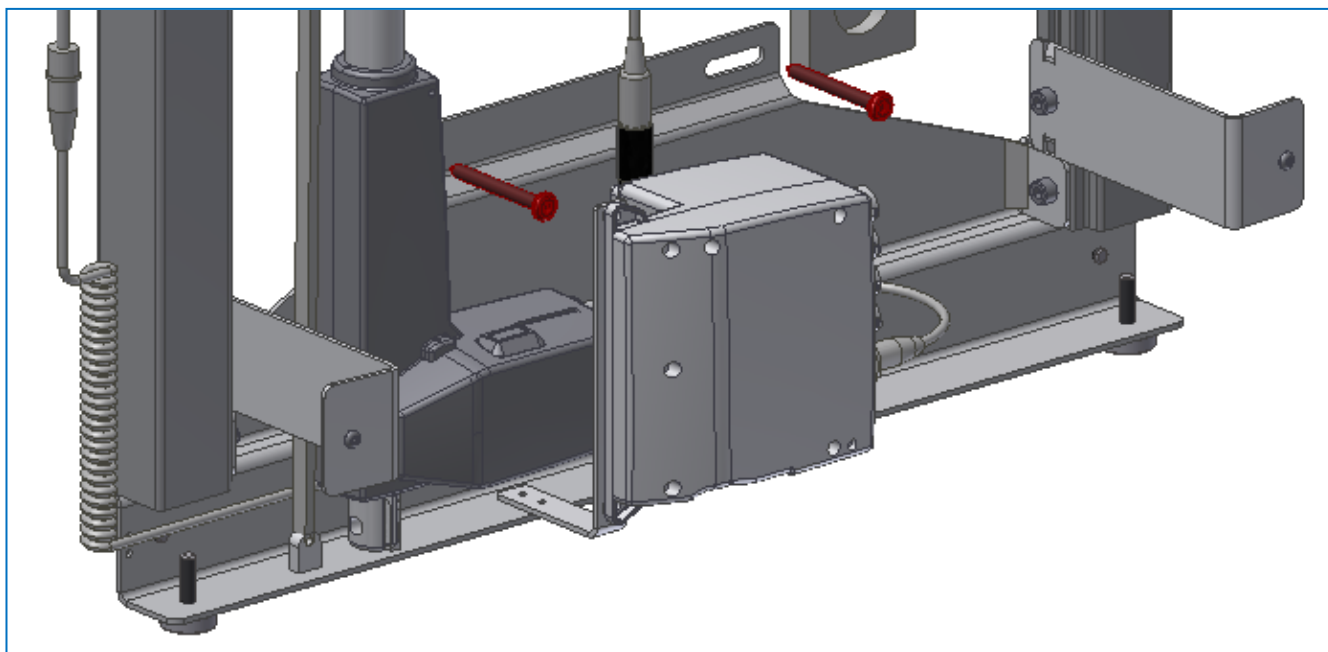


Mounting instruction

Mounting to the wall

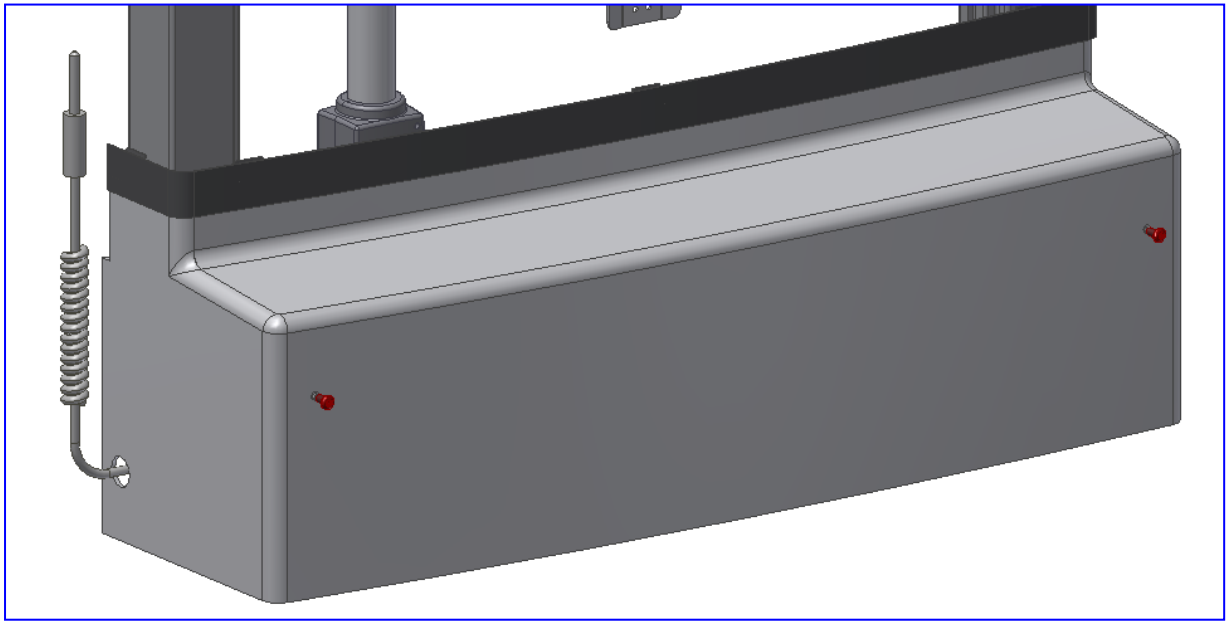


Mounting instruction

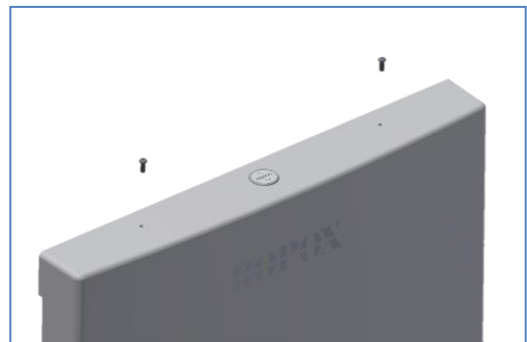
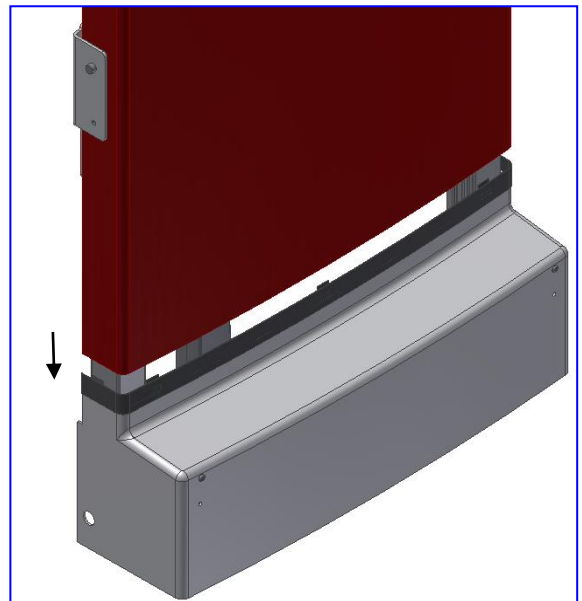
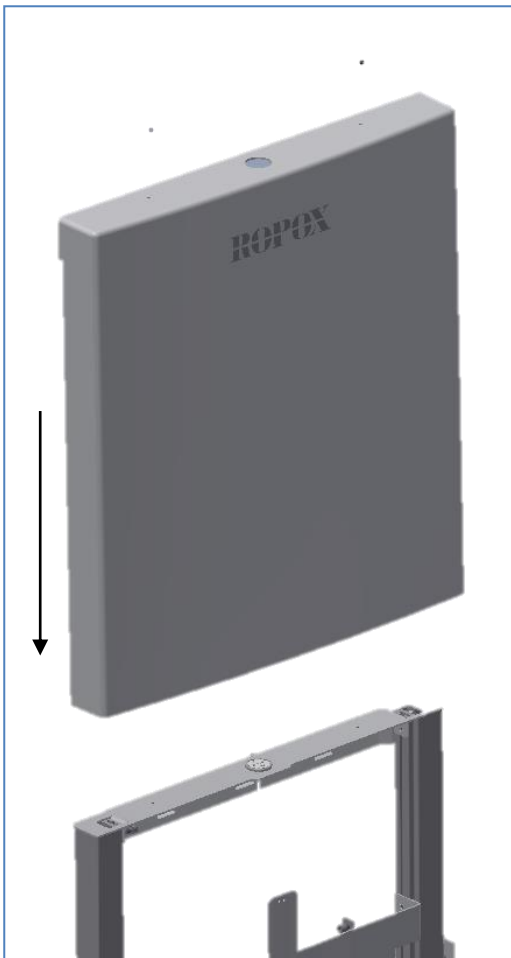


Mounting instruction

2. Mounting of the lower cover

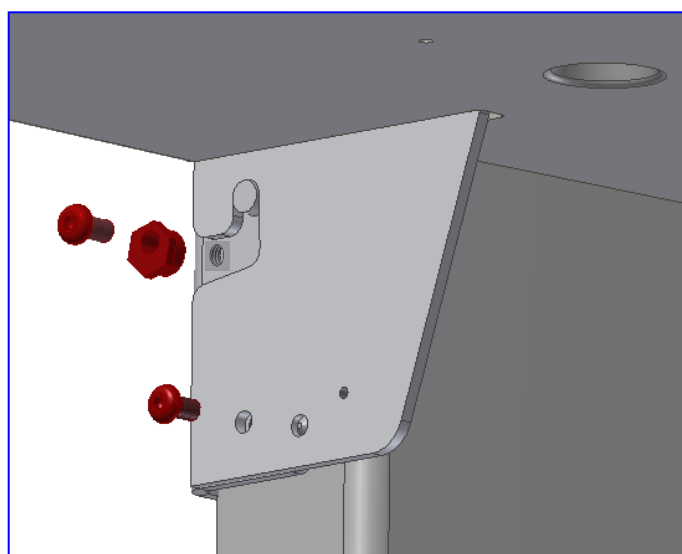
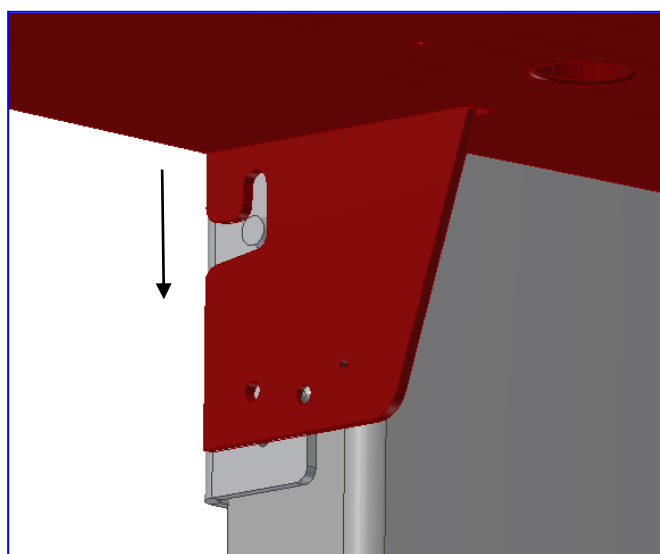
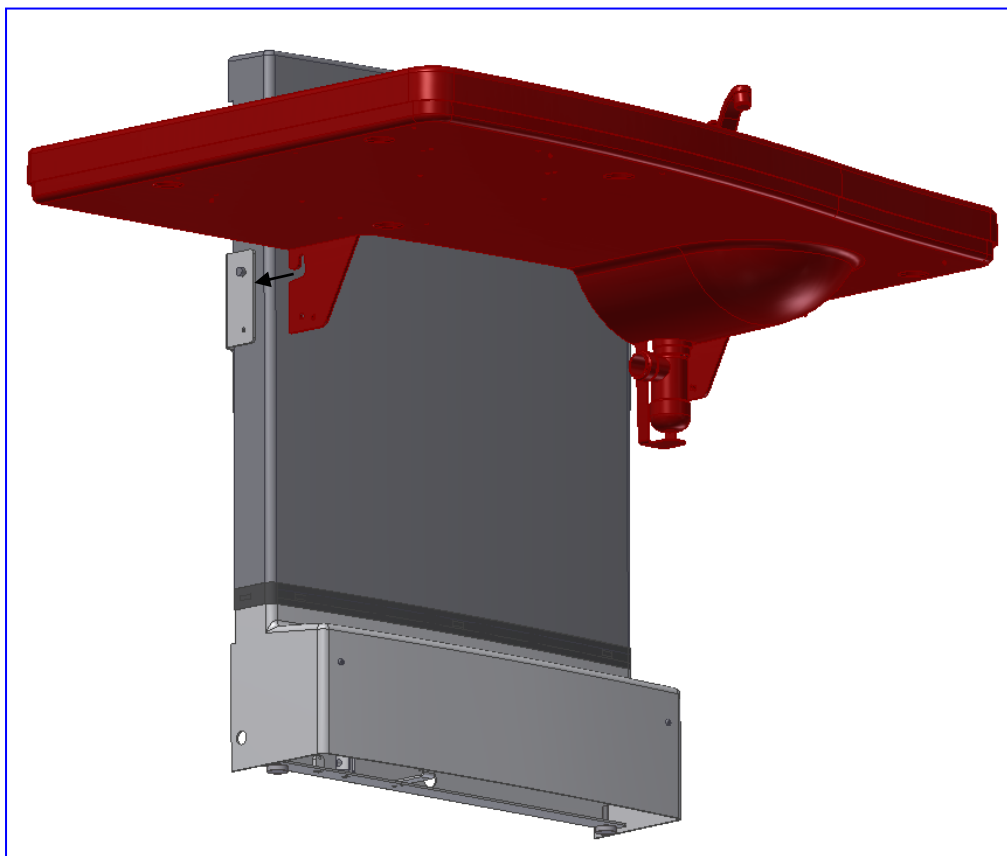


3. Mounting of the upper cover



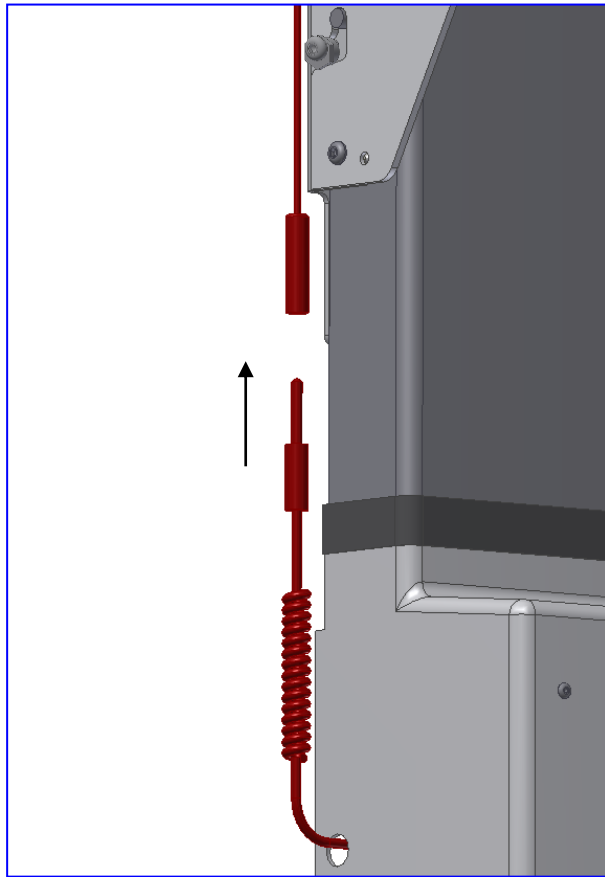
Mounting instruction

4. Connection of the worktop



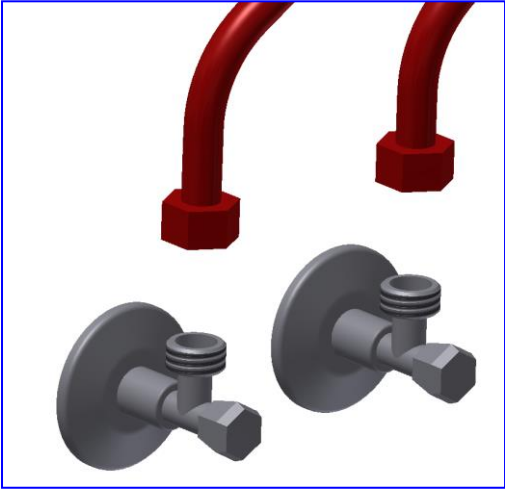
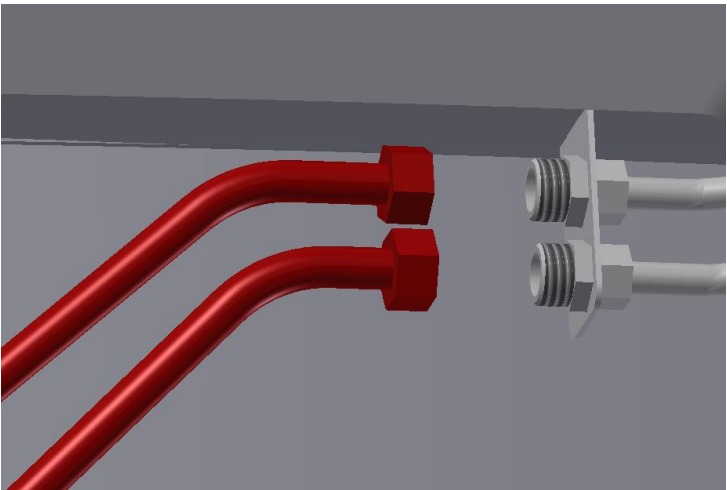
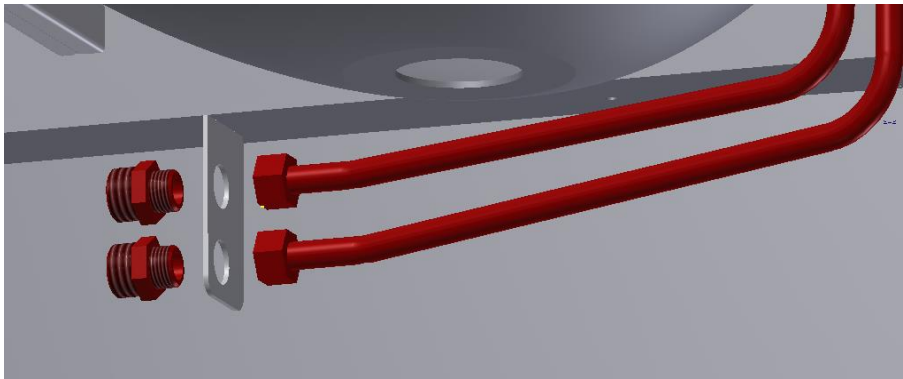
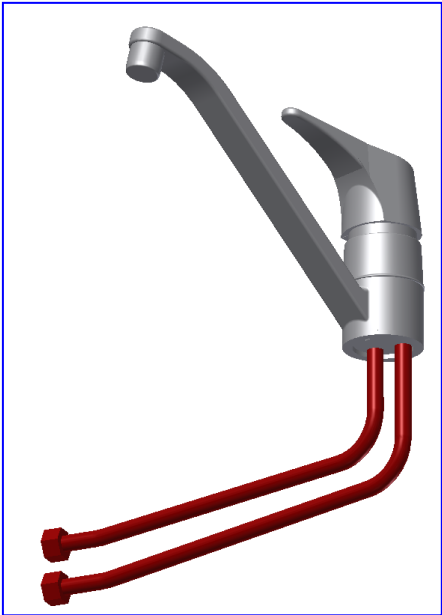
Mounting Instruction

5. Connection of the safety stop

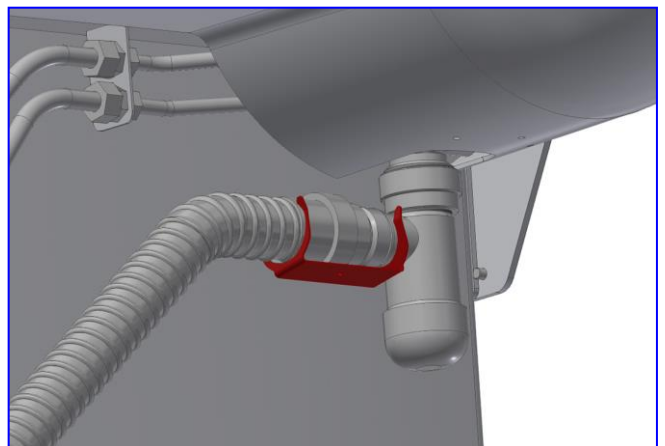
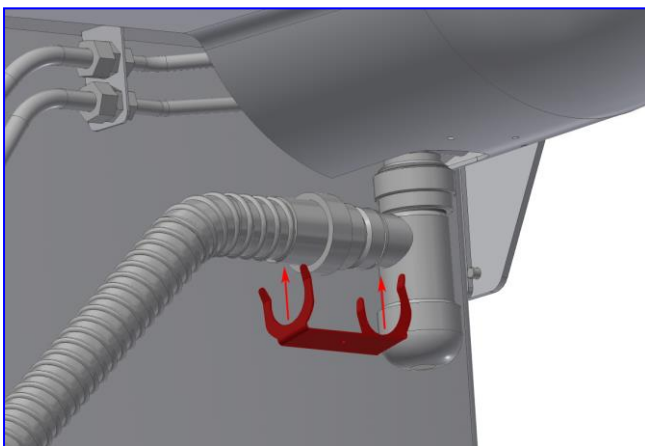
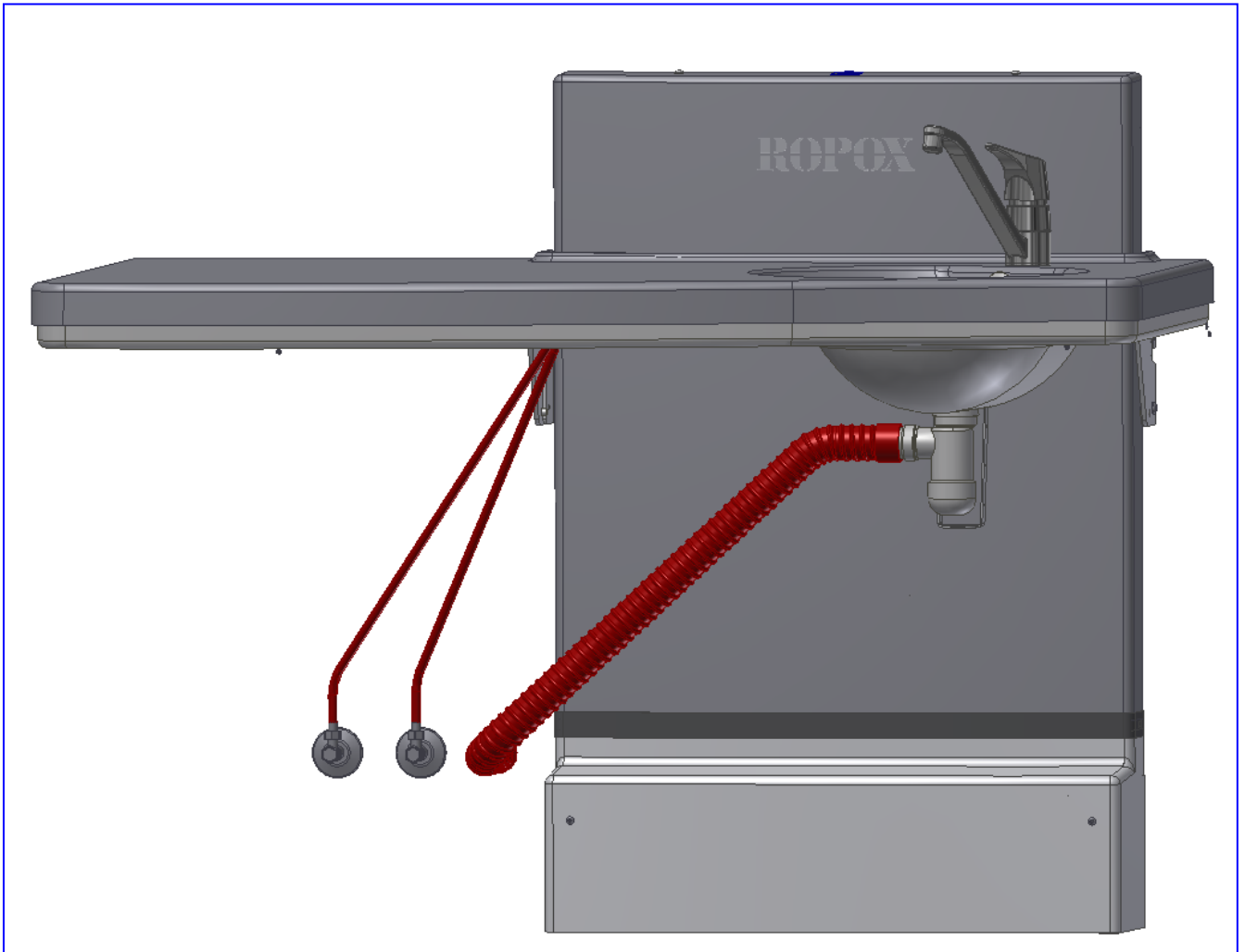


Mounting Instruction

6. Connection of water and drain

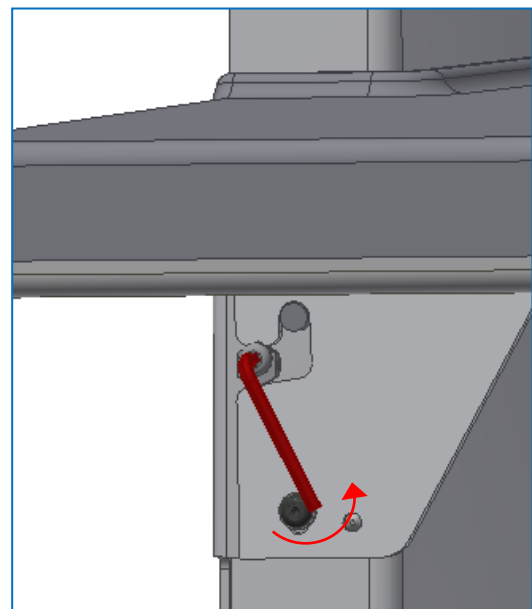
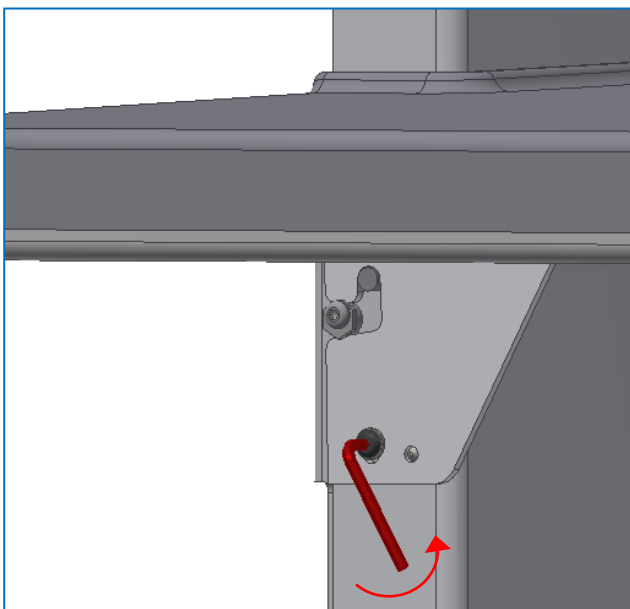
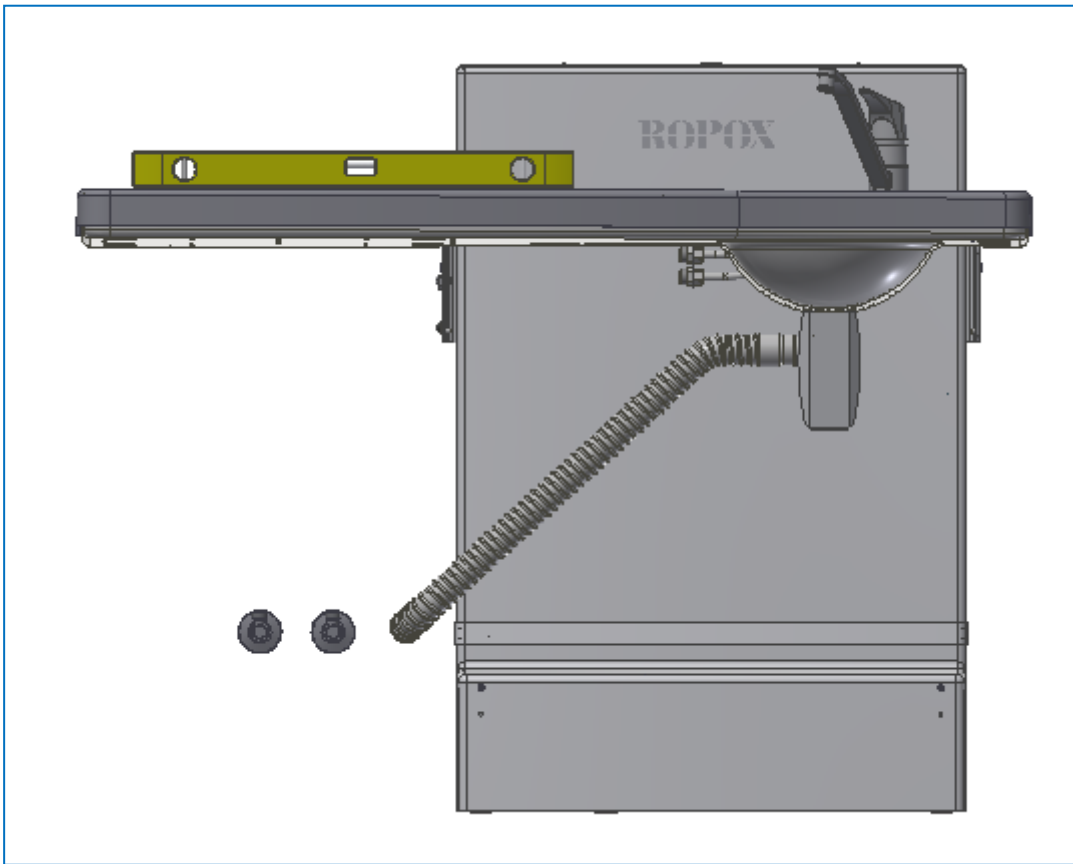


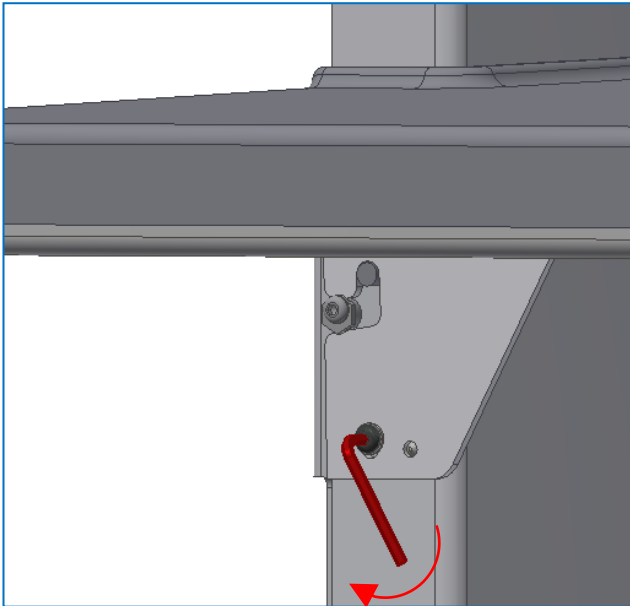
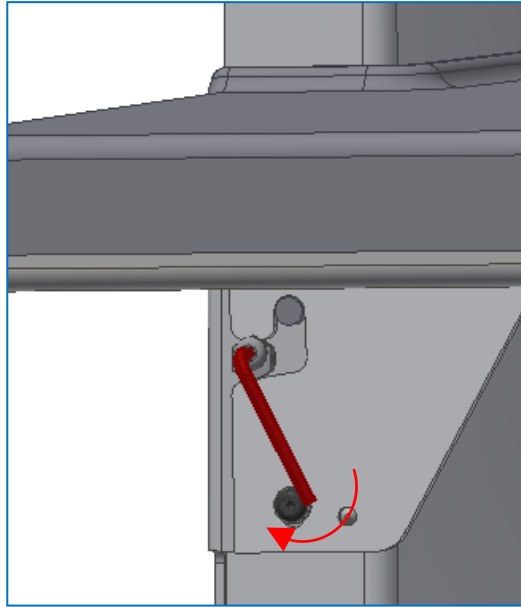
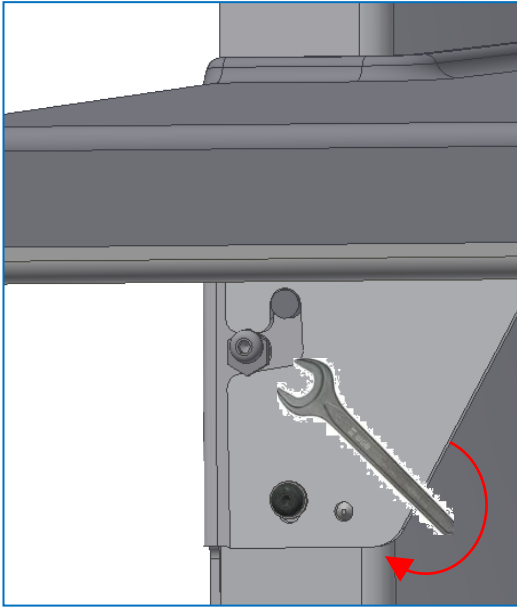
Mounting Instruction



Mounting Instruction

7. If the table top is not in horizontal level





Electrical components

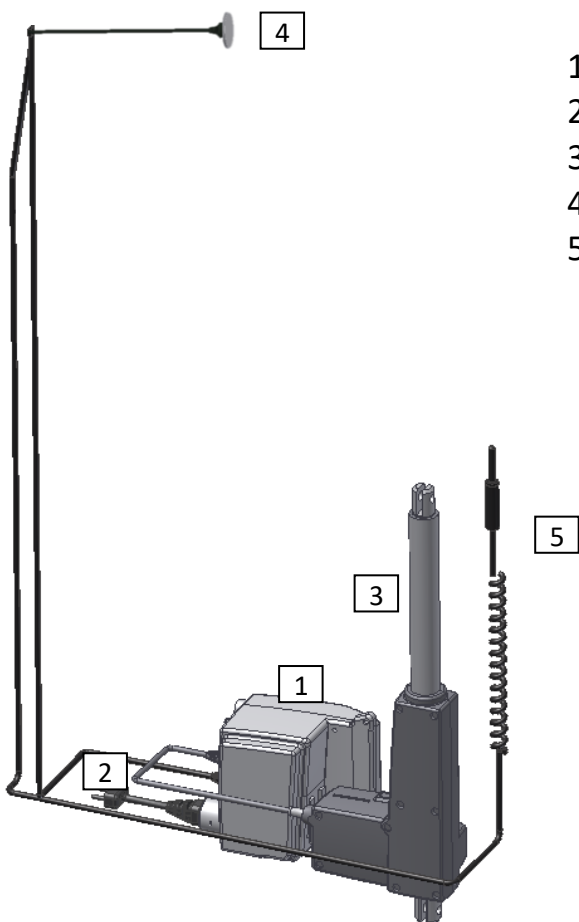
Wiring circuit

The nursing table comes with control box mounted on the frame. The diagram shows how to connect the cables with the control box.

All plug-in connections are waterproof, and mounting/dismounting may therefore be a little difficult. Make sure that all plugs have the correct position before inserting them into the control unit. The plugs must be pressed home until the O-ring is no longer visible.

Motor and control box has an IPX6 rating. This means that they are dust-and waterproof.

The electrical system is designed for intermittent use, which means a maximum duty cycle of 10%; 2min on / 18min from.



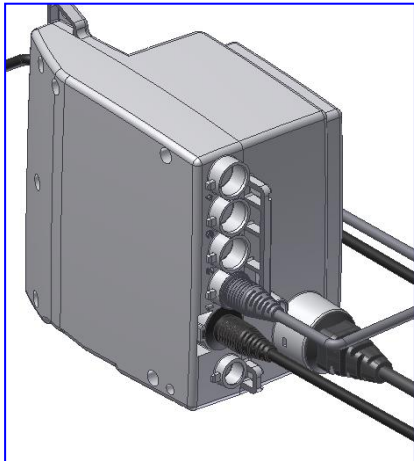
1. Controlbox
2. Mains cable 230V
3. Actuator, connects to 1
4. Handset
5. Safety stop

Electrical components

Connections

The nursing table comes with control box mounted on the frame.

Motor cable connected to port 1. Ports 2, 3 & 4 are not used and are therefore provided by blind plug.



Handset must be connected to "HB".

The mains cable must be connected to the port on the side of the control box.

Dismounting

Just pull out the mains cable.

In order to maintain the full IPX6 protection class, it is very important that all cables have been mounted correctly.

Performance test

After installation and prior to use all functions of nursing table must be tested. The test must be carried out by competent personnel. Subsequently the test shall be carried out once a year.

Testing prior to connection to mains voltage:

1. Check that mounting instructions have been observed
2. Check that all bolts have been tightened.
3. Check that all cables have been connected correctly and that the plugs have been pressed home.
4. Check that there is no load on the frame.
5. Check that there is nothing preventing the nursing table from moving freely within the height adjustment range.

Connect main power to control box and continue testing:

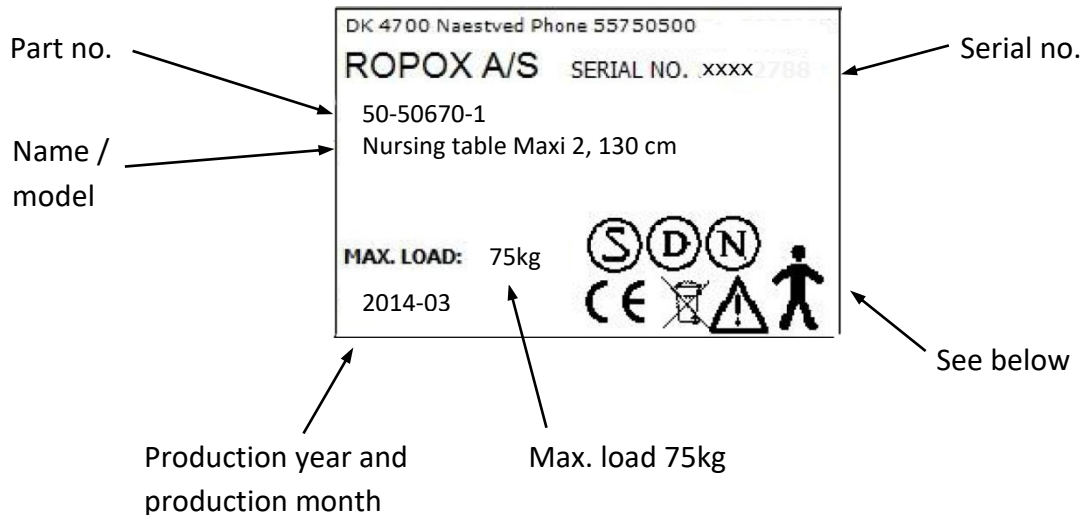
1. Press DOWN button, move frame to bottom position & check movement is even and controlled. Be aware that hoses connections follow movement of frame and do not get trapped.
2. Press UPWARDS button, move frame to top position & check movement is even and controlled. Also, be aware that tabletop does not bump into wall. Should this be the case it could be because the wall is skewed. If the wall is only a little skewed (1-2mm) it is possible to adjust by moving the tabletop. The tabletop is fastened with Velcro. Remove tabletop from Velcro in opposite side of washbasin and slightly pull away from wall and secure again.
3. If the wall is skewed more than 2mm the lifting unit has to be jacked away from the wall.
4. Press DOWN on control switch and let frame move 2-5 cm downwards, activate the safety stop. The frame must stop downwards movement

If all tests are ok, the nursing table is ready for use. See section “Safety in use”.

Labelling

Label

Each nursing table has a label of its own as illustrated. This label contains important information to be stated in connection with inquiries to the supplier.



Symbols:



User manual must be read before use.



Waste must be sorted - if possible for recycling.



Type B equipment.



Class 2 equipment. No connection to earth.



CE-marking. This product meets the requirements for General Safety and Functionality of the current EU Directives and Standards.

EMC information



The nursing table meets the requirements for Electromagnetic Compatibility (EMC), if installation and daily use are in accordance with the instructions in this manual. On rare occasions, the nursing table can be affected by electronic signals from e.g. laptops, mobile phones or the like.

Support

Troubleshooting

The nursing table does not move up and down when the hand-control switch is pressed	<p>Check:</p> <ol style="list-style-type: none">1. If 230V has been connected and current is available.2. If all plugs have been correctly inserted.3. If the table only moves upward, check if the safety stop has been blocked/activated.4. Dismount all cables and mount them again.5. Contact Ropox for support.
---	--

Waste



The used equipment must be disposed of in accordance with national law. We recommend disassembling of the product to the greatest possible extent, so that most parts may be recycled. Please note that this product contains electrical components. Examples of sorting groups: Metal, plastic, cables, electronics and parts for destruction.



The nursing table may be used at temperatures from 5°C to 45°C

The nursing table may be used at a relative humidity between 5% and 85% non-condensing

Factors affecting the product during storage and transport



Maintenance

- i** Ropox recommends testing the functions of the nursing table as well as retightening of all bolts and nuts once a year.

In case of defects, please contact Ropox as soon as possible and do not use the nursing table until the problem has been solved/remedied.

If you do not want to carry out this performance test yourself, contact Ropox to arrange a visit by a service technician. See contact information at the end of this manual.

The nursing table is maintenance-free. For safety reasons we recommend regular inspection of all bolts and moving parts to ensure correct fastening to the wall.

Cleaning

Do not use a high-pressure washer to clean this product.

Simply use a soft cloth or sponge with soapy water of max. 60 °C (pH 7) or cleaning alcohol.




Always clean the nursing table after use to prevent dirt from sticking to the surfaces.

**** IMPORTANT ****

Do not use scouring powders or other abrasives, as they will scratch the surface.

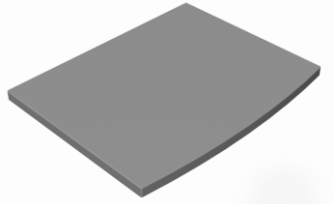
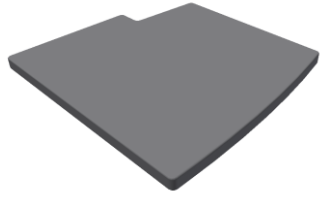
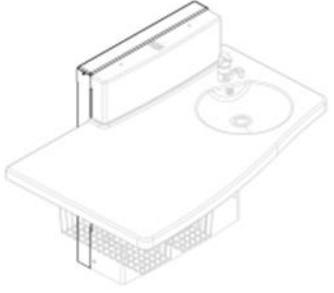
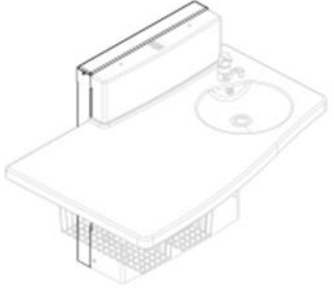
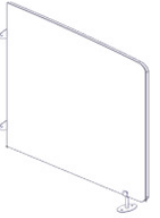
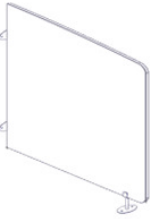
Also, avoid the use of cleaning utensils with sharp edges. Never use strong mineral acids or alkaline products.

Spare parts

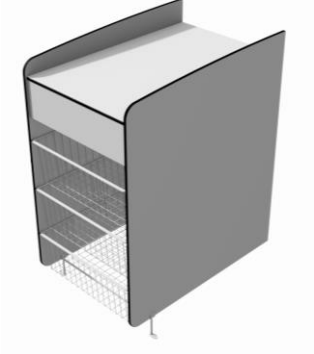

97000462	Actuator Type : LA31.3 Stroke 300 mm	
97000469	Controlbox Type : CB9096-2	
97000247	Control switch	

For a complete parts list, please contact Ropox

Accessories

Item number	Description	Picture
50-50680	Mattress for Nursing Table 90cm, grey 88 x 70 x 4 cm.	
50-50681	Mattress for Nursing Table 130cm, grey 88 x 75 x 4 cm.	
50-50685	Adaptor frame for Nursing Table Maxi 2 Wall distance: 20 mm	
50-50686	Adaptor frame for Nursing Table Maxi 2 Wall distance: 80 mm	
50-50682	Side covering, white compact laminate 82 x 105 cm. For mounting on floor/wall	
50-50683	Side covering, white compact laminate 61 x 105 cm. For mounting on floor/wall	

<p>50-50688</p>	<p>Side Bed Guard for Medi2/Maxi2 130 cm 82 x 24 cm. Mounted on worktop</p> <p>Not for retrofitting</p>	
<p>50-50699</p>	<p>Side Bed Guard for Medi2/Maxi2 90 cm 82 x 24 cm. Mounted on worktop</p> <p>Not for retrofitting</p> <p>On picture there are mounted 2 pcs.</p>	
<p>50-14684</p>	<p>Mixer tab Non-touch monobloc tap Iqua</p>	
<p>50-50694</p>	<p>Mixer tab with extension shower head</p>	
<p>50-50702</p>	<p>2-step ladder White</p>	
<p>50-50690</p>	<p>Extra hand control with spiral cable For Maxi 2 og Medi 2 with safety stop</p>	

50-50697	Ropox Basket unit without wash basin	
50-50696	Ropox Basket unit with wash basin	

Declaration of conformity



Ropox hereby declares under sole responsibility that the following products

50-50670 Ropox Nursing table Maxi 2, 130 cm

50-50672 Ropox Nursing table Maxi 2, 90 cm

are classified as Class I and comply with the following directives and standards:

DIRECTIVES

- 2006/42/EF, Machinery Directive, concerning Machines, amended by Directive No. 98/37/EG
- 2014/35/EU, Low Voltage directive, amended by directive No. 2006/95/EU
- 2014/30/EU, EMC-directive, amended by directive No. 2004/108/EU

STANDARDS

DS/EN 1041: 2009

DS/EN 14971: 2008

DS/EN 71-3 + A1: 2014

DS/EN ISO 60335-1: 2012

DS/EN 12221-1:2008+A1: 2013

Date: 01-03-2017



Tommy Jensen
Adm. direktør

Authorized to prepare the technical
documentation

Claims

See General Terms and Conditions of www.ropox.com



Ropox A/S

Ringstedgade 221

DK – 4700 Næstved

Tel.: +45 55 75 05 00 Fax.: +45 55 78 05 50

E-mail: info@ropox.dk

www.ropox.dk



Ropox A/S

Ringstedgade 221

DK – 4700 Naestved

Tel.: +45 55 75 05 00 Fax.: +45 55 78 05 50

E-mail: info@ropox.dk

www.ropox.com



Ropox A/S

Ringstedgade 221

DK – 4700 Naestved

Tel.: +45 55 75 05 00 Fax.: +45 55 78 05 50

E-mail: info@ropox.dk

www.ropox.de