



Creating balance in healthcare



Tango XXL Shower-toilet chair



5100 5800

Tango XXL Shower-toilet chair


5100 5800

Tango XXL Shower-toilet chair

The Lopital Tango XXL is a shower-toilet chair providing Bariatric client / resident care in a responsible manner. The Tango provides optimum comfort for the caregiver as well as the client.

The Tango XXL can be used as a showerchair as well as a toiletchair that can be wheeled over the toilet. The extra seat Width and depth and the attractive design makes the Tango XXL chair a nice looking and user-friendly product caring for Bariatric clients.

The ergonomic shaped backrest and seat provide comfort and security. The extended armrests can fold away completely.

The large comfortable footrests including the calf support can be swiveled or removed. Because of that it is easy to sit down or stand up.

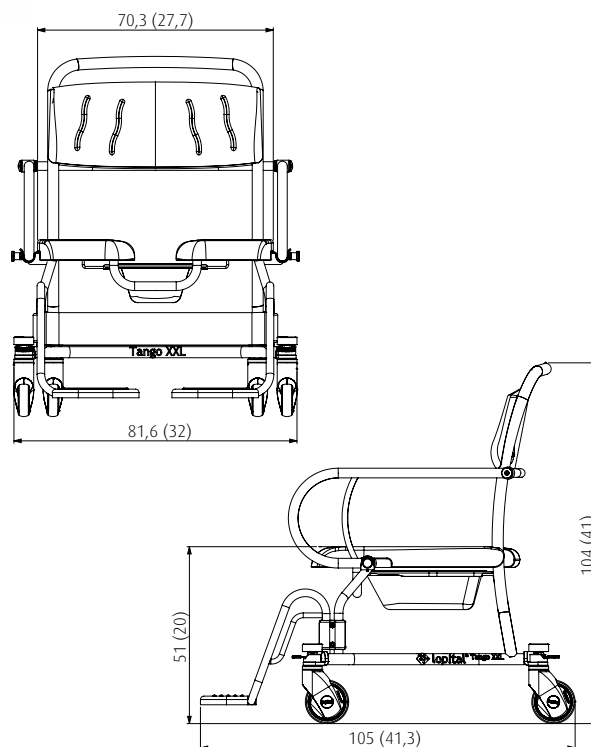
Technical details

Max. Load:	300 kg / 661 lbs
Own Weight:	30,5 kg / 67 lbs
Seat height:	51 cm / 20 inch
Seat width:	70,3 cm / 27,7 inch
Seat depth:	60 cm / 23,5 inch

Characteristics

- 3 plastic castors fitted with brakes.
- 1 direction Wheel.
- Rail for bedpan or toilet bucket.
- Folding and extended armrests
- In 2 part seat with toiletopening.
- foldable and removable footplates.

Dimensions in cm (inch)



For more information, visit our website: www.lopital.com

Lopital Nederland B.V., Laarakkerweg 9, 5061 JR Oisterwijk, Postbus 56, 5060 AB Oisterwijk
 Tel +31 (0)13 5239300, Fax +31 (0)13 5239301, E-mail info@lopital.nl, www.lopital.nl

